

100TR



Concrete solutions. Always.

Engine 4TNV98CT

Engine power 53,7 kW - 73,0 HP

Operating Weight 9.900 kg

 **EUROCOMACH®**

| | | |
|--------------------------------------|------|---|
| Operating weight (with rubber track) | kg | 9.900 |
| Operating weight (with steel track) | kg | 10.220 |
| Travelling speed (AUTO TWO SPEED) | km/h | 1 ^a : 0 ÷ 2,6 / 2 ^a : 0 ÷ 5,2 |
| Slew speed | rpm | 10 |

ENGINE

| | | |
|---------------------|---------------------------|-------------|
| Type | YANMAR 4TNV98CT - STAGE 5 | |
| Power (2.100 rpm) | kW - HP | 53,7 - 73,0 |
| Displacement | cc | 3.319 |
| Number of cylinders | n° | 4 |
| Cooling | water | |
| Consumption | lt/h | 8,7 |
| Alternator | V (A) | 12 (55) |
| Battery | V (Ah) | 12 (100) |

HYDRAULIC SYSTEM

| | | |
|--|--|----------------|
| Circuit Type | Load Sensing system with "Flow Sharing" control valve with 11 elements | |
| Pump type | 1 LS hydraulic variable pump with electronic control + 1 gear pump | |
| Pump displacement | cc | 84 + 9 |
| Pump capacity | lt/min | 185 + 19 |
| Max. circuit calibration pressure | bar | 290 - 200 - 35 |
| Auxiliary Flow (max pressure): | lt/min (bar) | |
| AUX 1 main high flow simple or double effect | 100 / 100 (200) | |
| AUX 2 double effect | 90 / 80 (290) | |
| AUX 3 double effect | 50 / 50 (290) | |

PERFORMANCES

| | | |
|---|--------------------|---------------|
| Max digging depth standard arm (optional arm) | mm | 4.570 (4.920) |
| Max dumping height with cab standard arm (optional arm) | mm | 6.070 (6.370) |
| Bucket breaking force (standard arm) ISO 6015 | daN | 5.850 |
| Arm breaking force (standard arm) ISO 6015 | daN | 4.350 |
| Traction force | daN | 7.960 |
| Ground bearing pressure with rubber tracks | kg/cm ² | 0,46 |
| Max slope | 60% - 30° | |

DIMENSIONS

| | | |
|-----------------------------------|----|---|
| Max. width | mm | 2.320 |
| Total height | mm | 2.560 |
| Rear rotation radius | mm | 1.155 |
| Digging arm length std (optional) | mm | 1.760 (2.110) |
| Tracks width | mm | 450 |
| Rollers number (for each side) | n° | 5/1 (rubber track) 6/1 (steel track) |

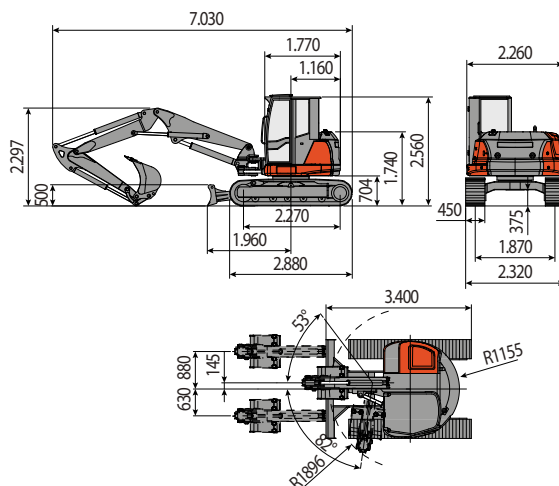
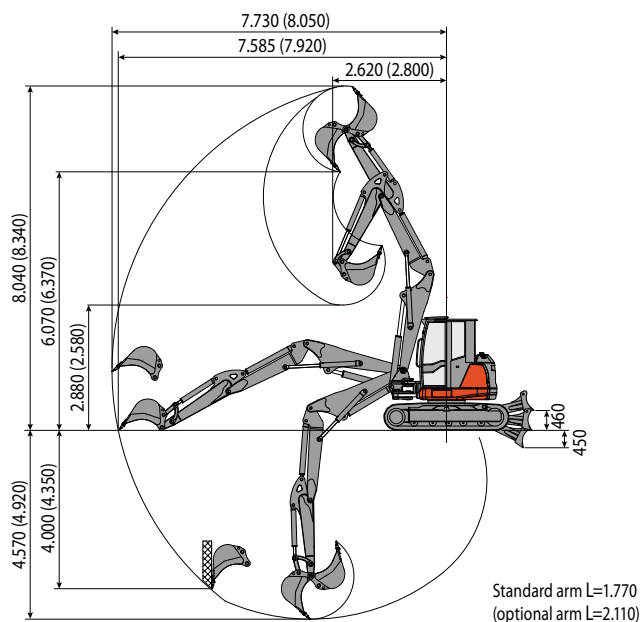
FILLINGS

| | | |
|----------------------------|----|-----|
| Fuel tank | lt | 105 |
| Hydraulic oil tank | lt | 90 |
| Hydraulic circuit capacity | lt | 120 |
| Cooling system capacity | lt | 25 |
| Engine oil | lt | 10 |

CONTROLS

| | |
|--|--|
| Boom, dipper stick, bucket and turret swing | 2 pilot joysticks |
| Tracks movement (included counter rotation) | 2 pilot levers |
| Dozer blade | pilot lever |
| Auxiliary circuit main high flow with latch AUX 1 (simple or double effect) | electroproportional switch on right joystick |
| Auxiliary circuit AUX 2 (double effect) | electroproportional switch on right joystick |
| Auxiliary circuit low flow AUX 3 (double effect) | electroproportional switch on left joystick |
| Boom swing | electroproportional switch on left joystick |

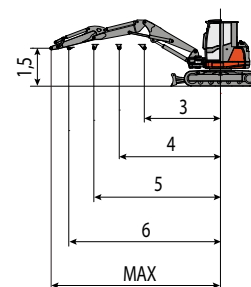
100TR



LIFTING CAPACITY

Opening arm from the rotation's center (m)
Lifting capacity (kg) at 1.5 m height

| | 3 | 4 | 5 | 6 | MAX |
|---------------------------------|------|------|------|------|------|
| Frontal and lowered dozer blade | 3690 | 3070 | 2480 | 1990 | 1730 |
| Frontal and lifted dozer blade | 3150 | 2060 | 1450 | 1140 | 1050 |
| Lateral | 3150 | 1760 | 1300 | 990 | 840 |



The lifting capacity is based on the ISO 10567 and it does not exceed more than the 75% of static tipping load or more than the 87% of the hydraulic lifting capacity of the machine.

 **EUROCOMACH®**