



1240 CX35 LP

Hoftrac



Technical specifications

Engine data

Manufacturer	Perkins
Engine type	403 D-15
Cylinders	3
Engine performance (max.)	24,4 (33) kW (hp)
at rpm (max.)	2,8 rpm
Cubic capacity	1,496 cm ³
Cooling system	Water

**Electrical system**

Operating voltage	12 V
Battery	77 Ah
Alternator	65 A

Weights

Operating weight (standard)	1,84 kg
Lift force (max.)	2.500 daN
Tipping load with bucket - machine straight	1,118 kg
Tipping load with bucket - machine articulated	926 kg
Tipping load with pallet fork - machine straight	850 kg
Tipping load with pallet fork - machine articulated	704 kg

Vehicle data

Axle	K80
Cab	FSD
Ground speed	0 - 13 km/h
Speed stages	1
Fuel tank capacity	21 l
Hydraulic oil tank capacity	12 l

Hydraulic system

External services - Operating pressure	305 bar
Steering hydraulics - Oil flow	44,8 l/min
Steering hydraulics - Operating pressure	185 bar

Drive

Type of drive	Hydrostatic
Traction drive	Oil engine



Noise values

Average sound power level LwA	100,1 dB(A)
Guaranteed sound power level LwA	101 dB(A)
Specified sound pressure level LpA	84 dB(A)

Tipping load calculation according to ISO 14397

FSD = canopy

Vibrations (weighted average effective value)

Hand-arm vibrations: The hand-arm vibrations are no more than 2.5 m/s²

Whole body vibrations: This machine is equipped with a driver's seat that meets the requirements of EN ISO 7096:2000.

When the loader is properly used, the whole body vibrations vary from below 0.5 m/s² up to a short-term maximum value.

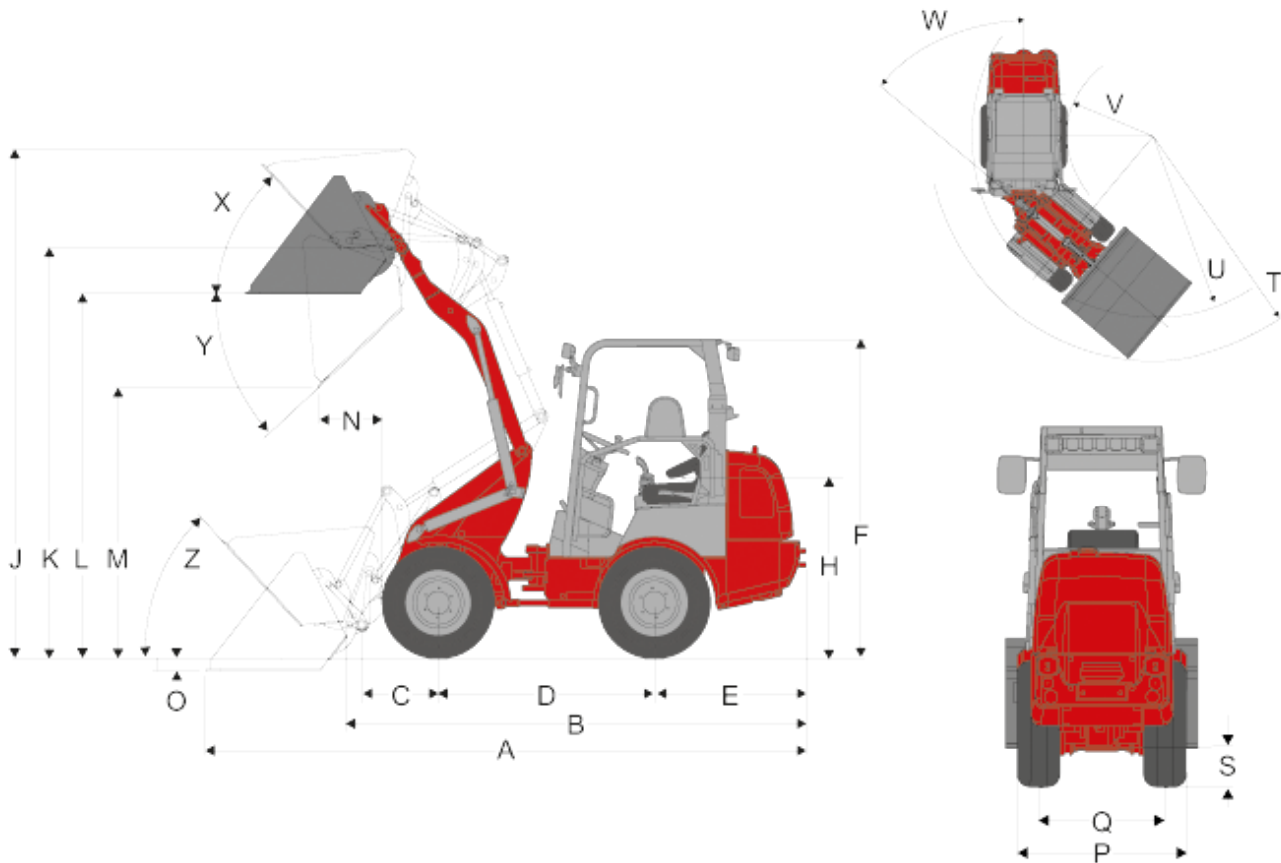
It is recommended to use the values specified in the table when calculating the vibration values according to ISO/TR 25398:2006. At the same time the actual use conditions have to be taken into consideration.

Telescopic loaders, like wheel loaders, are to be classified by operating weight.

Type of loader	Typical operating conditions	Average value			Standard deviation (s)		
		$1.4 \cdot a_{w,eqx}$ [m/s ²]	$1.4 \cdot a_{w,eqy}$ [m/s ²]	$a_{w,eqz}$ [m/s ²]	$1.4 \cdot s_x$ [m/s ²]	$1.4 \cdot s_y$ [m/s ²]	s_z [m/s ²]
Compact wheel loader (operating weight < 4,500 kg)	Load & carry (load and transport work)	0.94	0.86	0.65	0.27	0.29	0.13
Wheel loader (operating weight > 4,500 kg)	Load & carry (load and transport work)	0.84	0.81	0.52	0.23	0.2	0.14
	Application in extraction (harsh application conditions)	1.27	0.97	0.81	0.47	0.31	0.47
	Transfer drive	0.76	0.91	0.49	0.33	0.35	0.17
	V-operation	0.99	0.84	0.54	0.29	0.32	0.14

1240 CX35 LP

Hoftrac

Dimensions


Standard tyres 27 x 8.50 - 15 EM ET30

A	Total length	4.103 mm
B	Total length (without bucket)	3.115 mm
C	Axle middle to bucket pivot pin	621 mm
D	Wheelbase	1.544 mm
E	Rear overhang	889 mm
F	Height to top of overhead guard fixed	1.900 mm
H	Seat top height	961 mm
J	Total working height	3.188 mm



K	Height of bucket pivot (max.)	2.434 mm
L	Load-over height	2.135 mm
M	Dumping height	1.525 mm
N	Operating distance for M	490 mm
O	Digging depth	55 mm
P	Total width	970 mm
Q	Track width	752 mm
S	Ground clearance	200 mm
T	Maximum radius external	2.773 mm
U	Radius at the outer edge	2.311 mm
V	Inside turning radius	1.270 mm
W	Inclination angle	47 °
X	Rollback angle at max. lifting height	45 °
Y	Dumping angle (max.) (max.)	42 °
Z	Rollback angle (on the ground)	50 °

All values with a standard bucket and standard tyres



1240 CX35 LP

Hoftrac

Standard features

Engine

- Perkins 403 D-15 (24.4 kW / 33 hp)

Drive

- Compact axle K80
- Automatic drive via oil engines on the axles, travel direction can be selected via the joystick
- Service brake: Hydrostatic drive system acting on all 4 wheels (wear-free)
- Central service and parking brake in the drive train acting on all 4 wheels
- Tyres 27 x 8.50 - 15 EM ET30

Steering

- Hydraulic articulated pendulum steering, 12° oscillating angle

Hydraulics

- 3rd Control circuit front DN10
- Hydraulic oil cooler
- Floating position for lift and tilting cylinders

Driver's cab

- Canopy with retaining system ROPS / FOPS tested
- Comfort seat with safety belt, fully suspended, weight, back and horizontal adjustment, 60 mm spring deflection
- Joystick with travel direction switch

Other

- Working lights (2 front, 1 rear)
- Operating hour meter
- Battery circuit breaker
- Fuel display
- Hydraulic quick-change system for attachments



1240 CX35 LP

Hoftrac

Options

Driver's cab

- Adjustable steering column
- Air-suspended comfort seat

Lighting

- Lighting according to Road Traffic Regulations
- Rotary beacon

Axles

- K90 (automatic drive via oil engines on the axles)
- Wheel spacer (30 mm)

Hydraulics

- Unpressurised reflux (front)
- 3rd control circuit front DN12
- 3rd comfort control circuit
- 4th comfort control circuit
- Faster plug-in connector (machine or attachment side)
- Notch for joystick (single / double)

Electrical connections

- Plug receptacle in front, triple-pole (single or double)

Other

- Engine pre-heating
- High lifting height (2,711 mm or 2,920 mm)
- Counterweight
- Back-up alarm
- Self-recovery coupling
- Tool box
- Technical Inspection Authority expert's report
- Fully automatic central lubrication unit
- Custom made paint finish



Please note

that product availability can vary from country to country. It is possible that information / products may not be available in your country. Photos may depict options. Subject to change without notice. Errors and omissions are reserved. The contractual agreement is expressly decisive. More detailed information on engine power can be found in the operator's manual; the stated power may vary due to specific operating conditions.

Subject to alterations and errors excepted. Applicable also to illustrations.

Copyright © 2016 Weidemann GmbH.