



## SKID STEER AND COMPACT TRACK LOADER

135/155/175/190/205/225/260/300/320/330/150T/190T/205T/225T/260T/300T/320T

Operating weight: 2791-5260kg Gross rated power: 36-55kW (48-74hp)



# REDEFINING skid steers

## Contents

<b>Strength and durability</b> .....	pages 4 – 5
<b>Unique design</b> .....	pages 6 – 7
<b>Power and performance</b> .....	pages 8 – 9
<b>A sound investment</b> .....	pages 10 – 11
<b>Operator comfort</b> .....	pages 12 – 13
<b>Serviceability</b> .....	pages 14 – 15
<b>Value added</b> .....	pages 16
<b>Specification</b> .....	pages 18 – 22





# STRENGTH AND DURABILITY.

BEFORE YOU BUY A SKID STEER OR COMPACT TRACK LOADER, YOU NEED TO KNOW IT'S GOING TO BE TOUGH ENOUGH TO PERFORM ANY JOB YOU ASK OF IT. FORTUNATELY, WITH JCB, STRENGTH AND DURABILITY COME AS STANDARD.



JCB skid steer loaders and compact track loaders benefit from our unique PowerBoom design – a single-sided reinforced high tensile strength steel boom, with internal baffle plates for added strength.



### One-of-a-kind boom.

- 1 The PowerBoom structure provides a safe route for hydraulic hoses so that they're well protected from damage.
- 2 To ensure optimum precision and build quality, we use advanced manufacturing and assembly processes during the manufacture of key components.



### Built to last.

- 3 Our engine technology is tried and proven; we've built 200,000 DIESELMAX units since 2004. To ensure similar longevity, the EcoMAX T4i/ Stage 3B engine has been tested for 110,000 hours in 70 different machines across the toughest of applications and environments.
- 4 A large loader arm cross-member provides added strength: vital for when you're using a standard mechanical quickhitch or the optional hydraulic variant.

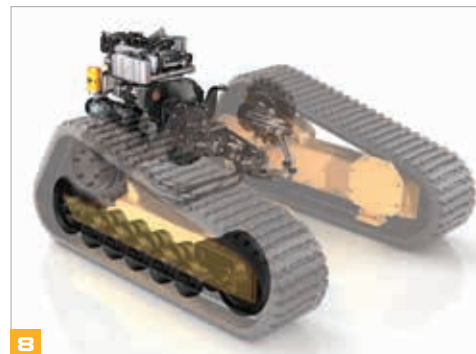


**UNEARTHED: KEY FACT**

A single JCB PowerBoom boasts up to 20% more steel than our rivals' twin-arm designs.

**Structural strength.**

- 5** We've designed the door to be stiff and durable for added structural strength and rigidity.
- 6** Another area that boosts rigidity and service life is the single-piece chassis.
- 7** Expect durable forged steel axles and a strong chain (100 HS on LP models, 80 HS on SP models).
- 8** Track retention is excellent on our compact track loaders, courtesy of a solid undercarriage with cast steel triple-flanged rollers.
- 9** To keep the fuel tank protected, it's mounted inside the loader tower; there's also an easily accessible drain port.

**6****7****8****9**

## UNIQUE DESIGN.

THE JCB SKID STEER AND COMPACT TRACK LOADER RANGES HELP YOU TO WORK HARDER WITH LESS EFFORT. FOR EXAMPLE, THANKS TO JCB'S INNOVATIVE DESIGN, OPERATORS CAN ACCESS THE MACHINE WITHOUT NEEDING TO REMOVE LOADS OF MATERIAL.

### Safely does it.

- 1 JCB's exclusive left-hand-side entry system allows operators to access the loader without having to climb over large cumbersome attachments or under an unsupported boom.
- 2 The emergency exit on a JCB skid steer or compact track loader is via the front of the machine, as opposed to via the small rear window as per traditional twin-arm designs.



**UNEARTHED: KEY FACT**  
We use laminate glass instead of mesh, providing operators with unhindered all-round visibility.

**Visibly better.**

3 With a 270° field of vision, our loaders have up to 60% better visibility than rival machines (which offer around 165°).

4 PowerBoom's single-arm low-slung design means there's excellent visibility to both the left and right side of the machine.

5 There's a standard-fit rear view mirror at the operator's eye level for easy rearward visibility.

6 Part of the reason why visibility is so good on a JCB skid steer or compact track loader is that our EcoMAX engine doesn't require bulky after-treatment, making installation more compact.

Because JCB's unique PowerBoom design doesn't need a rear torque tube on vertical lift models, visibility is further improved.



**Ordinary Skid Steer** 165° Visibility



3

**JCB Skid Loader** 270° Visibility



4



6

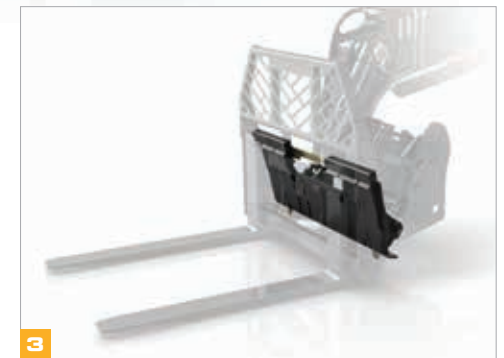
## POWER AND PERFORMANCE.

POWER AND PERFORMANCE ARE QUALITIES EVERYONE WANTS IN A SKID STEER OR COMPACT TRACKED LOADER. WITH POWER APLENTY AND A RAFT OF VERSATILE FEATURES, THE JCB RANGE SETS NEW STANDARDS OF EFFICIENCY AND PRODUCTIVITY.



### Versed in versatility.

- 1 For the ultimate in versatile performance, our high flow hydraulics mean you can choose from a huge range of 31 different attachment types.
- 2 Operators can use an even wider variety of hydraulic attachments with our optional 7-way multi-function joystick.
- 3 Our standard mechanical or optional hydraulic quickhitches are designed to meet stringent JCB standards; they make for quick and efficient attachment changes.





**VERTICAL LIFT:**

With maximum lift capacity at maximum height and reach, this is a good choice for load and carry operations like fork work, heavy construction and landscaping.

**RADIAL LIFT:**

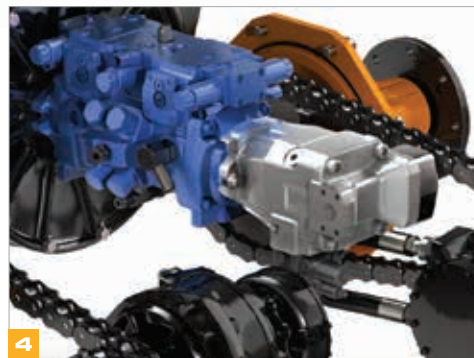
This provides improved digging geometry with more reach at the midpoint of the lift cycle. It's perfect for excavating applications like landscaping, digging, excavation, asphalt work, farming, street construction and industrial tasks.

**Maximum output.**

**4** The 300 class models now feature variable displacement piston pump hydraulics for faster cycle times and smoother multi functioning.

**5** JCB's Smoothride System (SRS) allows the boom and load to move independently of the chassis, ensuring improved load retention and operator comfort. In turn, this means faster loading cycles and journey times.

**6** Optional parallel lift helps to keep loads level throughout the lift cycle, which is ideal for carrying palletised loads.



## A SOUND INVESTMENT.

A JCB SKID STEER AND COMPACT TRACK LOADER ISN'T JUST EFFICIENT TO USE – IT'S ALSO EFFICIENT TO OWN AND OPERATE. WE'VE DESIGNED THESE MACHINES TO GIVE YOU GREAT FUEL EFFICIENCY, UNPARALLELED RESALE VALUE AND LOW RUNNING COSTS FOR MAXIMUM RETURN ON INVESTMENT.

### EcoMAX efficiency.

- 1 Our Tier 4i EcoMAX engine uses up to 9% less fuel than our Tier 3 units, saving you money.
- 2 EcoMAX produces its peak torque at low revs for fuel-efficient matching of the transmission and hydraulics.
- 3 Because this engine doesn't require costly exhaust after-treatment or heat-resistant lube oils, it saves money on servicing.
- 4 EcoMAX can be remapped to operate on low quality fuels. This means these loaders can be resold across different territories, improving residuals.

### ECOMAX ENGINE

Wheeled 225, 260, 280, 300, 330 Tracked  
225T, 260T, 300T, 320T





**JCB DIESEL BY KOHLER ENGINE**  
 Wheeled 135, 155, 175, 190, 205 Tracked,  
 150T, 190T, 205T



**More for your money.**

5 JCB's optional 2-speed transmission helps these machines achieve quicker travel and cycle times.

6 Cooling is extremely efficient, with lower-temperature air pulled from the top of the cooling pack and expelled through the sides and rear; this improves overall performance.

**JCB Diesel by Kohler engine design.**

7 Choose one of our smaller skid steer or compact track loaders and you'll benefit from a JCB Diesel by Kohler KDI T4F engine: it features a maintenance-free diesel-oxidation catalyst (DOC) and offers improved torque and fuel efficiency.

The KDI 1903 TLR and KDI 2504 TLR engines feature an advanced combustion system that significantly reduces emissions and fuel consumption.

Like the JCB EcoMAX unit, JCB Diesel by Kohler's KDI engine doesn't use exhaust after-treatment like DPF. Operating costs and maintenance are therefore minimised.

## OPERATOR COMFORT.

FOR A MACHINE TO PROVIDE MAXIMUM EFFICIENCY, IT NEEDS TO BE INTUITIVE AND COMFORTABLE TO OPERATE. WITH THAT IN MIND, WE'VE DESIGNED THE JCB SKID STEER AND COMPACT TRACK LOADER RANGE TO PROVIDE THE MOST ERGONOMIC OPERATOR ENVIRONMENT POSSIBLE.



### Comfort and convenience.

**1** Access to a JCB skid steer or compact track loader is provided via a door that's more than double the size of rival offerings.

**2** Our cab is quite simply in a class of its own; we offer a 33% larger operator environment in our large platform machines. On small platform models, meanwhile, the cab is as much as 46% bigger.

**3** There's a fully adjustable mechanical suspension seat (or an optional heated air suspension variant) for optimum comfort.

**4** Ventilation is excellent on all models fitted with a cab, thanks to a sliding window on the left side.

**5** To make the cab an even better working environment, there's handy storage in the left arm rest as well as a 12V socket.





6

**Always in control.**

6 Three settings allow operators to choose the sensitivity of joystick movement; this makes it quick and straightforward to tailor controls to specific tasks or conditions.

7 Low effort servo-assisted controls make it easier to operate one of these loaders. An optional multi-function joystick enables operators to use a wide array of hydraulic attachments.

8 For increased ergonomics, we offer optional switchable ISO/H-pattern controls.

9 Controls to various machine options are ergonomically placed at roof level in the operator's line of sight.

10 The right control panel features machine diagnostics, an electronic throttle and the skid steer's ignition switch.



8



9



10

## SERVICEABILITY.

WE'VE DESIGNED JCB SKID STEER AND COMPACT TRACK LOADERS TO BE AFFORDABLE, EFFICIENT AND HIGHLY PRODUCTIVE IN ALL SORTS OF AREAS. NOT LEAST BY MAKING THEM LOW MAINTENANCE AND EASY TO SERVICE.



### Simple servicing.

- 1 The T4F JCB EcoMAX engine doesn't require a Diesel Particulate Filter (DPF), which simplifies servicing and reduces operating costs.
- 2 Small platform loaders within the range are fitted with a JCB Diesel by Kohler KDI T4F motor featuring a maintenance-free diesel-oxidation catalyst (DOC).
- 3 All of your loader's daily maintenance points are easily accessed via a large rear service door.



**UNEARTHED: KEY FACT**

It only takes one person to tilt the cab for excellent access to your loader's internals.



**4** When it comes to more complex maintenance, our tilting cab design ensures easy access to key components.

**5** To keep vital elements like the cooling pack free of debris, you can opt for a reversing fan that automatically reverses airflow every 30 minutes. This feature can also be operated with a button on the left-hand control panel.

**6** On larger skid steer or compact track loaders, there's a standard-fit air intake scavenge system, which keep debris build-up in the air filter to a minimum. In turn, this extends service intervals.

**7** Hydraulics on these loaders use O-ring face seals and incorporate 38 percent fewer parts than outgoing designs. The end result is reduced downtime.



## VALUE ADDED.

JCB'S WORLDWIDE CUSTOMER SUPPORT IS FIRST CLASS. WHATEVER YOU NEED AND WHEREVER YOU ARE, WE'LL BE AVAILABLE QUICKLY AND EFFICIENTLY TO HELP MAKE SURE YOUR MACHINERY IS PERFORMING TO ITS FULL POTENTIAL.

**1** Our Technical Support Service provides instant access to factory expertise, day or night, while our Finance and Insurance teams are always on hand to provide fast, flexible, competitive quotes.

**2** The global network of JCB Parts Center is another model of efficiency; with 15 regional bases, we can deliver around 95% of all parts anywhere in the world within 24 hours. Our genuine JCB parts are designed to work in perfect harmony with your machine for optimum performance and productivity.

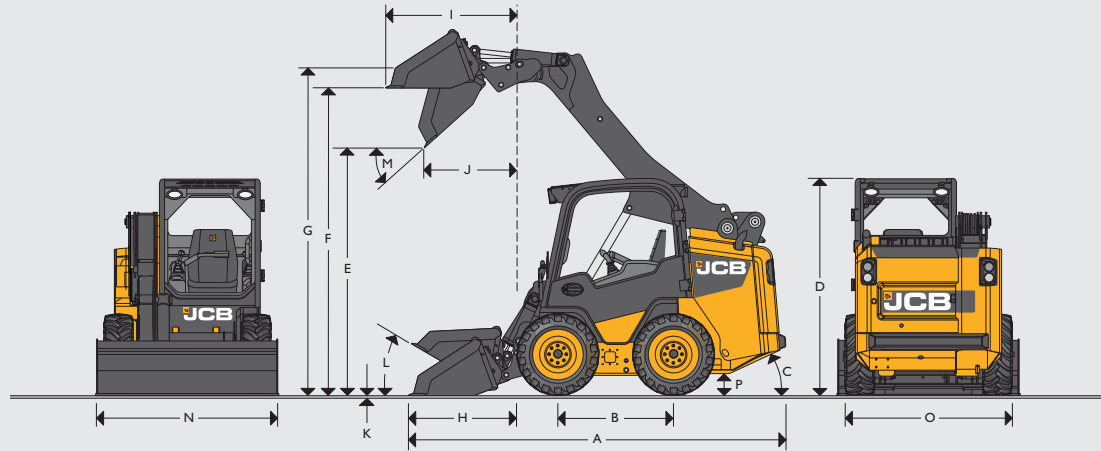
**3** JCB Assetcare offers comprehensive extended warranties and service agreements, as well as service-only or repair and maintenance contracts. Irrespective of what you opt for, our maintenance teams around the world charge competitive labor rates, and offer non-obligation quotations as well as fast, efficient insurance repair work.







STATIC DIMENSIONS

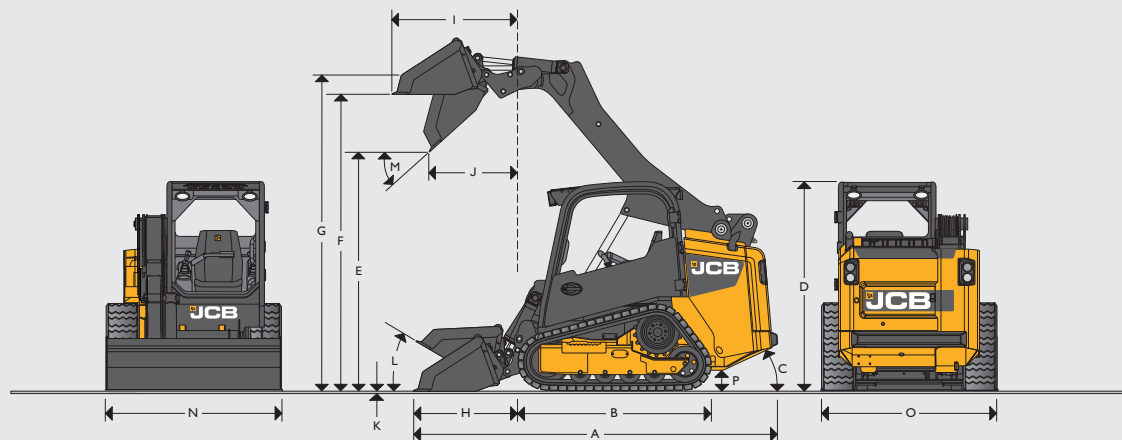


SMALL PLATFORM WHEELED

LARGE PLATFORM WHEELED

Machine model		135	155	175	190	205	225	260	280	300	330
A Overall Length	m	3.49	3.49	3.53	3.56	3.61	3.69	3.69	3.76	3.78	3.80
B Wheel Base	m	1.07	1.07	1.07	1.07	1.07	1.22	1.22	1.22	1.22	1.22
C Angle of Departure	degrees	25°	25°	25°	25°	25°	28.7°	28.7°	28.7°	28.7°	29.1°
D Overall Height	m	1.98	1.98	1.98	1.98	1.98	2.09	2.09	2.09	2.09	2.11
E Dump Height	m	2.26	2.26	2.26	2.26	2.26	2.46	2.46	2.46	2.46	2.49
F Loadover Height	m	2.84	2.84	2.84	2.84	2.84	3.02	3.02	3.02	3.02	3.05
G Height to Hinge Pin Fully Raised	m	3.00	3.00	3.00	3.00	3.00	3.175	3.175	3.175	3.175	3.2
H Reach @ Ground Level (cutting edge)	m	1.00	1.00	1.00	1.00	1.00	0.98	0.98	0.98	1.04	1.04
I Max Reach @ Full Height	m	0.91	0.91	0.97	0.99	1.04	0.96	1.23	1.23	1.23	1.2
J Reach @ Full Height - Fully Dumped	m	0.56	0.56	0.86	0.86	0.86	0.59	0.87	0.87	0.90	0.90
K Dig Depth (toe plate horizontal) Clearance	m	-0.1	-0.1	-0.1	-0.1	-0.1	-0.1	-0.1	-0.1	-0.1	0
L Rollback @ Ground	degrees	30°	30°	30°	30°	30°	30°	30°	30°	30°	29°
M Dump Angle	degrees	42°	42°	42°	42°	42°	42°	42°	42°	42°	42°
N Shovel Width - Standard	m	1.52	1.68	1.68	1.73	1.83	1.82	1.82	1.82	1.82	1.98
Shovel Width - Optional	m	1.37	1.52	1.73	1.83	1.68	-	-	-	-	-
O Width Over Tyres - Standard	m	1.52	1.60	1.60	1.60	1.60	1.82	1.82	1.82	1.82	1.87
Width Over Tyres - Optional	m	1.37	1.52	1.52	1.52	1.52	1.87	1.87	1.87	1.87	1.82
Rated Operating Capacity 50%	kg	612.3	703.1	793.8	861.8	929.9	1021	1179	1270	1361	1495
Shovel Capacity - Standard	m³	0.36	0.40	0.40	0.41	0.44	0.47	0.47	0.47	0.51	0.51
Shovel Capacity - Optional	m³	-	-	-	-	-	0.36	0.40	0.40	0.41	0.44
<b>Turning Radius</b>											
Shovel Corner Radius	m	2.09	2.09	2.09	2.09	2.09	2.20	2.20	2.20	2.20	2.20
Quick Hitch Radius	m	1.10	1.10	1.14	1.14	1.14	1.48	1.48	1.48	1.48	1.48
Rear Chassis Radius	m	1.65	1.65	1.65	1.65	1.65	1.76	1.76	1.76	1.76	1.76
P Ground Clearance	mm	210	210	210	210	210	238	238	238	238	248
Lift Path		Radial	Radial	Vertical	Vertical	Vertical	Radial	Vertical	Vertical	Vertical	Vertical

STATIC DIMENSIONS



SMALL PLATFORM TRACKED

LARGE PLATFORM TRACKED

Machine model		150T	190T	205T	225T	260T	300T	320T
A	Overall Length	m	3.49	3.53	3.58	3.69	3.78	3.78
B	Track Base	m	1.78	1.78	1.78	2.1	2.1	2.1
C	Angle of Departure	degrees	27°	27°	27°	28.7°	28.7°	28.7°
D	Overall Height	m	2.00	2.00	2.00	2.08	2.08	2.08
E	Dump Height	m	2.29	2.29	2.29	2.42	2.39	2.39
F	Loadover Height	m	2.85	2.85	2.85	2.99	2.99	2.99
G	Height to Hinge Pin Fully Raised	m	3.02	3.02	3.02	3.18	3.18	3.18
H	Reach @ Ground Level	m	1.09	1.00	1.00	0.96	1.04	1.04
I	Max Reach @ Full Height	m	0.99	1.21	1.21	0.935	1.30	1.30
J	Reach @ Full Height - Fully Dumped	m	0.64	0.85	0.85	0.585	0.90	0.90
K	Dig Depth Clearance	mm	-10	-10	-10	-10	-10	-10
L	Rollback @ Ground	degrees	30°	30°	30°	30°	30°	30°
M	Dump Angle	degrees	42°	42°	42°	42°	42°	42°
N	Shovel Width - Standard	m	1.73	1.73	1.83	1.98	2.13	2.13
	Shovel Width - Optional	m	1.68	1.83	1.73	-	-	-
O	Width Over Tracks - Standard	m	1.65	1.65	1.65	1.85	1.98	1.98
	Rated Operating Capacity 35%	kg	680.4	861.8	929.9	1021	1361	1452
	Rated Operating Capacity 50%		-	-	-	1458	1957	2074
	Shovel Capacity - Standard	m³	0.41	0.41	0.44	0.59	0.64	0.64
	Shovel Capacity - Optional	m³	-	-	-	0.4	0.41	0.44
<b>Turning Radius</b>								
	Shovel Corner Radius	m	2.09	2.09	2.09	2.24	2.24	2.24
	Quick Hitch Radius	m	1.10	1.14	1.14	1.48	1.48	1.48
	Rear Chassis Radius	m	1.65	1.65	1.65	1.76	1.76	1.76
P	Ground Clearance	m	0.23	0.23	0.23	0.248	0.248	0.248
	Ground Bearing Pressure	kPa	46.6	42.6	44.5	30.1	31.7	33.1
Lift Path			Radial	Vertical	Vertical	Radial	Vertical	Vertical

## HYDRAULIC PERFORMANCE - SMALL PLATFORM

Machine model	R.O.C kg	Tipping Load kg	Loader Lift kg	Shovel Tilt kg
135	612	1356	1440	1820
155	703	1406	1770	1820
175	794	1587	1570	2140
190	862	1723	1570	2140
205	930	1859	1570	2140
150T	680	1966	1770	1820
190T	862	2462	1570	2140
205T	930	2656	1570	2140

## HYDRAULIC PERFORMANCE - LARGE PLATFORM

Machine model	R.O.C kg	Tipping Load kg	Loader Lift kg	Shovel Tilt kg
225	1021	2226	2669	2585
260	1179	2471	2669	2585
280	1270	2543	2669	2585
300	1361	2732	2634	3260
330	1495	2989	2634	3260
225 T	1021	2915	2669	2585
260 T	1179	3624	2634	3260
300 T	1361	3913	2634	3260
320 T	1452	4148	2634	3260

## HYDRAULICS - LARGE PLATFORM

In addition to the main hydrostatic drive pumps, there is a dedicated loader and attachments supply pump (auxiliary hydraulics circuit standard on all base models).

**Pump Flow:** 90 l/min @ 2200 rpm engine speed  
 Main relief pressure 22994 kPa  
 HYD HP Low Flow 177 l/min\*  
 HYD HP High Flow 243 l/min\*

- Low lever efforts give excellent and easy control of transmission loader and attachments.
- Auxiliary hydraulics are actuated via the right hand controller giving progressive control of oil flow for precise attachment control.
- Loader arm hydraulic lines under protective steel guard on PowerBoom.
- Canister style, full flow, hydraulic oil filter.
- JCB engine oil for engine and chain case.
- JCB hydraulic oil.
- The optional High Flow circuit provides 125 l/min pump flow to the front of the machine for operation of high capacity attachments such as trenchers and cold planers.

\*calculated

## CAPACITIES

	Small platform	Large platform
	litre	litre
Hydraulic System (including tank)	42	60
Fuel Tank	98	103
Engine Coolant	15	15.5
Engine Oil	10	14
LH Chaincase (wheeled machines only)	7.6	11.7
RH Chaincase (wheeled machines only)	7.6	11.7

## HYDRAULICS - SMALL PLATFORM

In addition to the main hydrostatic drive pumps, there is a dedicated loader and attachments supply pump (auxiliary hydraulics circuit standard on all base models). High flow is optional on all models except the 135.

**Pump Flow:** 70 l/min @ 2800 rpm engine speed  
 Main relief pressure 22994 kPa  
 HYD HP Low Flow 136 l/min\*  
 HYD HP High Flow 194 l/min\*

- Low lever efforts give excellent and easy control of transmission loader and attachments.
- Auxiliary hydraulics are actuated via the right hand controller giving progressive control of oil flow for precise attachment control (left hand controller location on optional 7 way multi-function joysticks).
- Loader arm hydraulic lines under protective steel guard on PowerBoom.
- Canister style, full flow, hydraulic oil filter.
- JCB engine oil for engine and chain case.
- JCB hydraulic oil.
- The optional High Flow circuit provides 100 l/min pump flow to the front of the machine for operation of high capacity attachments such as trenchers and cold planers.

\*calculated

ENGINE					
		Small platform			Large platform
		135	155/175/150T	190/205/190T/205T	225/260/280/225T/260T/300/330/300T/320T
Model		JCB Diesel by Kohler KDI 1903 TCR	JCB Diesel by Kohler KDI 1903 TCR	JCB Diesel by Kohler KDI 2504 TCR	EcoMAX TCAE-55
Displacement	cm <sup>3</sup>	1,860	1,860	2,481	4399
Fuel		Diesel	Diesel	Diesel	Diesel
Cooling		Liquid	Liquid	Liquid	Water
Aspiration		Turbo	Turbo	Turbo	Turbo
<b>Gross Power @ 2800 rpm</b>					
SAE J1995	hp (kW)	48 (36)	56 (42)	62 (46)	74 (55)
<b>Gross Torque @ 1200 rpm</b>					
SAE J1995	Nm	225	225	300	400
Starter Motor	hp (kW)	2.72 (2)	2.72 (2)	2.72 (2)	5.63 (4.2)
Battery	V/Ah	12/109	12/109	12/109	12 / 109
Alternator	amps	80	100	100	95
Emission Certification		EPA-T4F (EU St3B)	EPA-T4F (EU St3B)	EPA-T4F (EU St3B)	EPA-T4F (EU St3B)
Engine Oil Service Interval Hours		500	500	500	500
Variable Speed Hydraulically Driven Fan		YES	YES	YES	YES

**TRANSMISSION**

A full servo controlled hydrostatic transmission giving zero to maximum speed, both forward and reverse at full power. Independent transmission systems for both the left and right side, controlled through servo controls for both precise and easy operation. Transmission power system maintains full engine power availability maximizing loader and attachment control.

Model	Small platform	
	Single Speed	Two Speed
	km/h	km/h / km/h
Travel Speeds 135:	12.0	N/A
Travel Speeds 155/175/190/205:	12.0	9.0 / 18.5
Travel Speeds 150T/190T/205T:	10.0	9.0 / 12.6
	Large platform	
Travel Speeds 225/260/280/300:	10.9	10.9 / 20
Travel Speeds 330:	11.7	11.7 / 21.7
Travel Speeds 225T/260T/300T/320T:	9.2	7.7 / 12.6

**TYRES / TRACKS**

TYRES	TRACKS
<b>Standard – 135/155</b> 10 x 16.5 - 8 PR Standard Track Flotation	<b>150T/190T/205T</b> 320mm (12.6in) traction lug  <b>225T/260T</b> 320mm (12.6in) traction lug 450mm (17.7in) traction lug  <b>300T/320T</b> 450mm (17.7in) traction lug
<b>Standard – 175/190/205</b> 10 x 16.5 x 8 PR Wide Track Flotation	
<b>Standard – 225/260/280/300</b> 12 x 16.5 - 10 PR	
<b>Standard – 330</b> 14 x 17.5 x 10 PR	
<b>Available Options</b> – Standard Track - Wide Track Lifemaster Industrial Pneumatic 31.5 / 13 x 16.5 Extra Flotation Brawler Solid Industrial	
Flotation tyres are fitted for most applications.	

\*For arduous conditions and hostile environments solid tyres are recommended.

**WEIGHT - SMALL PLATFORM****SAE Operating Weight**

Fully operational with quickhitch, standard shovel, full fuel tank, open canopy + 165 lb (75 kg) operator:

<b>135</b>	2791 kg	<b>190</b>	3200 kg	<b>150T</b>	3691 kg
<b>155</b>	2883 kg	<b>205</b>	3310 kg	<b>190T</b>	3790 kg
<b>175</b>	3050 kg			<b>205T</b>	3962 kg

**WEIGHT - LARGE PLATFORM****SAE Operating Weight**

Fully operational with quickhitch, standard shovel, full fuel tank, open canopy + 75 kg operator:

<b>225</b>	3608 kg	<b>300</b>	4107 kg	<b>225T</b>	4634 kg
<b>260</b>	3734 kg	<b>330</b>	4243 kg	<b>260T</b>	4879 kg
<b>280</b>	3796 kg			<b>300T</b>	5120 kg
				<b>320T</b>	5260 kg

**LIGHTING AND ELECTRICS- SMALL PLATFORM**

12 V, negative ground system	1,000 cold cranking amp (CCA) battery
<b>135</b>	80 amp alternator
<b>155 - 205</b>	100 amp alternator
<b>225 and above</b>	95 amp alternator

Also incorporated into the instrument panel, is a warning light cluster which also has audible alarms for:

Low charge pressure	Blocked air filter
Engine water temperature	Engine oil pressure
Hydraulic oil pressure	Alternator

Cab mounted fuse and relay box designed to keep dirt and water out;  
IP 69 external connections; standard battery isolator.

**CONTROLS - ALL MODELS**

JCB servo control (ISO) pattern, provides all drive functions on left and loader function on right joystick. The left hand control pod pivots rearwards, providing unparallelled machine entry / exit.

**STANDARD EQUIPMENT - ALL MODELS**

Isolation mounted canopy. ROPS and FOPS. Full audible and visual warning systems. Restraint activated safety system. Loader arm safety strut. Centrifugal dry type engine air filter with safety element. Mechanical quickhitch. Electronic hand throttle. Two front and one rear worklight. Emergency lower valve. Fuel gauge. Hydraulic park brake. Standard Flow auxiliary hydraulics. Three way joysticks. Rear service access door. Tilting cab. Static seat in wheeled. Mechanical suspension in tracked. Float. Pod storage area. Cup holder. Power socket. Rear view mirror. Interior light. Battery isolator.

**OPTIONAL EQUIPMENT - ALL MODELS**

Sealed and pressurized cab with heater/defroster. Air conditioning (155 and above). Mechanical and air suspension seats. Road lights. Beacon. Foot throttle. Fire extinguisher. Toolkit. Self leveling. Level 2 FOPS guard. Heavy-duty rear door guard. Front screen guard. High Flow auxiliary hydraulics (155 and above). Spark arrestor. Tooth guard. Powered quickhitch. Smooth Ride System (155 and above). Lexan screen. Radio. Twine cutter (wheeled units only). Three inch seat belt. Creep speed. ISO/H pattern changeover. Fenders. Reversing fan. Pre-cleaner.





**ONE COMPANY, OVER 300 MACHINES.**

Your nearest JCB dealer

**JCB SKID STEER AND COMPACT TRACK LOADER**

135/155/175/190/205/225/260/300/320/330/150T/190T/205T/225T/260T/300T/320T

JCB Sales Limited, Rocester, Staffordshire, United Kingdom ST14 5JP.

Tel: +44 (0)1889 590312 Email: [salesinfo@jcb.com](mailto:salesinfo@jcb.com)

Download the very latest information on this product range at: [www.jcb.com](http://www.jcb.com)

©2009 JCB Sales. All rights reserved. No part of this publication may be reproduced, stored in a retrieval system, or transmitted in any form or by any other means, electronic, mechanical, photocopying or otherwise, without prior permission from JCB Sales. All references in this publication to operating weights, sizes, capacities and other performance measurements are provided for guidance only and may vary dependant upon the exact specification of machine. They should not therefore be relied upon in relation to suitability for a particular application. Guidance and advice should always be sought from your JCB Dealer. JCB reserves the right to change specifications without notice. Illustrations and specifications shown may include optional equipment and accessories. All images are correct at time of print. The JCB logo is a registered trademark of J.C. Bamford Excavators Ltd.

