

3070

3070 CXL
3070 CX
3070 CXLPT
3070 CXT



WEIDEMANN



Power and economy
for the future.

Turning regular performance into a long-term strategy.

3070

Planning ahead with a sense of purpose.

VALUE ADDED.

Boost daily outputs, optimize profits, think systematically and run the business into the future. A series 30 wheel loader handles your determination to succeed and generate sustained growth. It is a strong ally.

Perceive, act, and harvest: Your productive way.

Farming is on the move and inspiring people as never before ...

- with yields that secure value
- with performance that safeguards the future
- with growth that offers opportunities.

Optimising the interaction of agile minds with flexible machines and flexible routines creates a bond that takes us forward together. And that's been so for more than 50 years.



PROGRESS REAPS REWARDS:
YIELDS THAT SECURE VALUE.



**THINKING AHEAD BRINGS
MOTIVATION:** PERFORMANCE
THAT SAFEGUARDS THE FUTURE.



CARRYING ON MAKES SENSE:
WITH GROWTH THAT GENERATES
OPPORTUNITY.



LowPosition (LP) for added use – full machine utilization indoors and outdoors.

LP, LPT

Impressive lift heights from a compact build.

The cranked boom offers an extremely high load rating and extra rigidity that add to the precision of your work. Operator view of the raised attachment is always excellent. As such, filling high-sided trailers becomes easy.



Swap proven attachments without leaving the cab.

The standard hydraulic locking system and proven attachments make your series 20 LP model a flexible and highly productive multi-purpose machine in indoor and outdoor applications.

Robust kinematics deliver enormous lift and break-out forces –

thanks to two massive hydraulic rams that hold plenty of power in reserve and kinematics that provide short and efficient work cycles. Load and unload in extremely swift cycles.



From the roots into the future – ideas for today and tomorrow.

What began as a helper in livestock buildings developed into the skid-steer loader and Weidemann Hoftrac®, then growing into a large family of compactly built, articulated and extremely manoeuvrable machines.

The LP version is a Weidemann development that stands out for its exceptionally low profile. This design combines the initial Hoftrac® concept with the new and powerful qualities of a wheel loader.



Choose growth: Stunning performance – immense reserves.



1



2



3



4

Anyone aiming to take his business forward needs drive, power and dependable helpers. Here at Weidemann, we combine the pioneering spirit with experience.

Performance alone is not enough. What matters is how well the human operator, the machine and the options available come together. In the 3070 series, we have combined robust and proven technology with the best machines for a successful tomorrow – the intelligence and mobility of an integrated system.

- 1 Joystick for robust and well-conceived machine control. The joystick is ergonomic, practical and clear, offering single-handed control of direction of travel and all kinematics without fatigue.
- 2 Sunblind adjusts in steps. A relief when the sun is low, the sunblind provides effective protection from blinding and ensures an unobstructed view of the attachment and area of work. A detail that is vital for operator safety.
- 3 Maintenance, service, value retention. Buyers who opt for a Weidemann machine opt for high dependability.
- 4 Engine, hydraulic system and electrics are readily accessible. Finish all routine maintenance and service in no time at all, saving time and costs.

The massive and protruding rear weight gives protection from damage and provides a counterweight when handling heavy loads. The cantilever design with recessed tail lights provides optimum protection to the entire rear end.

3070 LP



The 3070 LP model with sturdy roof offers a height of just 2,358 mm, which makes it the ideal model for indoor and outdoor applications.



An even lower cab is available to reduce machine height to as little as 2,236 mm, allowing for passage under very low gates.



The cab combines the benefit of the low-profile roof.



The power line: Ideas, power, versatility. Advanced technology that brings real benefits.

CX, CXT

3070 CX

Side tilt, extra-class comfort cab. Featuring a hydraulically pre-controlled joystick, heating and ventilation as well as a fully suspended comfort seat with seat belt. Adjustable steering wheel, heated rear window, battery cut-out switch.

Hydraulics and kinematics taken to a powerful dimension. Play with enormous lift and break-out forces and a hydraulic quick-fit system that allows you to use a variety of attachments. Versatility is a standard specification here. Extra strength comes from two rams with inbuilt power reserves.



A professional power package. 4-cylinder engine to deliver 20 km/h speeds. Hydrostatic four-wheel drive. 100% differential lock on all four wheels. Electro-hydraulic engagement.

Customized machine configuration.

Every Weidemann wheel loader is customized to your individual requirements. You select the engine, the type of cab, the tyres and attachments that suit your needs and wishes.

Compact build and superior lift height – a forward-looking connection. The boom is cranked. So, when raised it still offers an unhindered view of the attachment and the material.

Ergonomic cab and maximum operator safety.

The operator and his safety is our foremost concern, which is evidenced by this protective roof and the cab.

Two rams and short work cycles are standard specification. All kinematics are programmed for maximum efficiency. Load and unload in extremely swift cycles.



Low centre of gravity and the Weidemann pivoting articulation for absolute stability, impressive agility and full traction in any terrain.

Swap attachments from the cab. Hydraulic attachment is standard specification. The wide variety of attachments gives you maximum productive flexibility.



3070CXLP

3070CX

3070CXLPT

3070CXT



Scope for boosting performance: Ready to take on future challenges.

- 1 **Vibration-damped workplace.**
The machine absorbs vibrations and shock loads to protect your health and keep you relaxed and concentrating during those long hours of work.
- 2 **Hydraulic pre-controlled external services.** The joystick is ergonomic, practical and clear, offering single-handed and modulated control of direction of travel and all kinematics without fatigue.
- 3 **The ergonomic experience of space.** Plenty of legroom, neatly grouped combination instruments and the comfortable operator seat combine to make the best possible arrangement. A workplace that gives the best possible support.
- 4 **Side-folding modules.** Enjoy easy and unhampered access to engine, hydraulic system and electrics for effortless routine checks and servicing.



A machine that has nothing in reserve is like clothing that is too tight. As time goes by, it fits less and less well.

In the Weidemann 3070 series, you are not only purchasing a wheel loader of the professional class but also opening up new opportunities for yourself. You can be in control of your own growth and choose between various directions while always staying on the safe side as regards technology and economy.

This is one investment that not only repays itself in record time but also allows you to shift up a gear. At a time of your choosing.

3070 CX



The massive and protruding rear weight gives protection from damage and provides a counterweight when handling heavy loads. The cantilever design with recessed taillights provides optimum protection to the entire rear end – especially in confined space.



The low-profile cab brings machine height of the 3070 CX model down to 2,411 mm, which makes it the ideal model for indoor and outdoor applications.



If specified with the heavy-duty cab, the 3070 CX model measures 2,573 mm in height and offers the perfect ergonomics of a fully-fledged cockpit.

Future-proof investment: Weidemann is stronger than ever.



An idea that has always been true to itself.
Your Weidemann is a specialist. It is made in Germany, in one of the most modern manufacturing plants in Europe. Today, more than ever, it is what it always was – a multitalent that has grown up in an agricultural background. Practical, robust and durable.
A helper you can depend on like on a good neighbour. That's its product personality. And its quality.

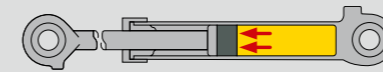
Weidemann factors:

- Easy and confident handling via joystick.
- Low front end for unobstructed view of attachments.
- Full capacity and efficiency.
- Compact build.

3070

Powerful external services: The well-designed and well-proven mast with Z-kinematics in combination with powerful hydraulics delivers enormous lift and break-out forces. A true power combination. Move the material without effort and deposit it precisely where you want it.

1 Einkippen: mit viel Kraft.



2 Auskippen: mit hoher Geschwindigkeit.



3070

Exploit the potential:
The 30 series grows
with the work it
is expected to do.

FRONT-END LOADER.

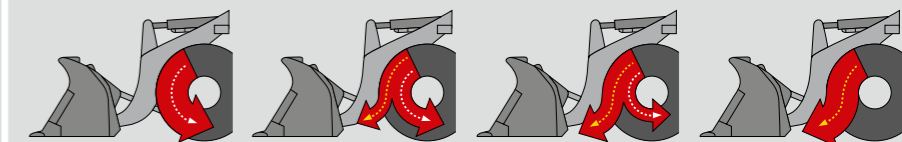
"I know from experience that front-end loaders have their limitations, with respect to performance and machine life. Now that I made the experience, I own a Weidemann."

C. Gering, Germany
Chicken farmer and arable farmer

Maintenance, service, value retention. Buyers who opt for a Weidemann machine opt for high dependability. Every day. For peace of mind.



THE INCH-BRAKE PEDAL TRANSFERS ALL POWER TO THE HYDRAULIC CIRCUIT THAT OPERATES THE BOOM.



Inch-brake pedal. Using only one pedal for inching significantly reduces wear on the brake and increases precision at any moment – also when handling high loads.

Sure it's convenient. Simply drive up to the attachment, pick it up hydraulically without leaving the cab and lock / unlock while you watch. Work is so much easier now.

It's hard to imagine before you've experienced it for yourself. Weidemann really injects new energy into your operations.

It certainly makes a difference whether you see things in terms of limitations or opportunities. The 3070 series is at the heart of productive mobility. It works hard to take the load. It moves and saves you effort. It moves and combines. And it is always opening up fresh horizons.

A strong entrepreneurial spirit with a drive to fashion the new.



“Energy takes effect.”



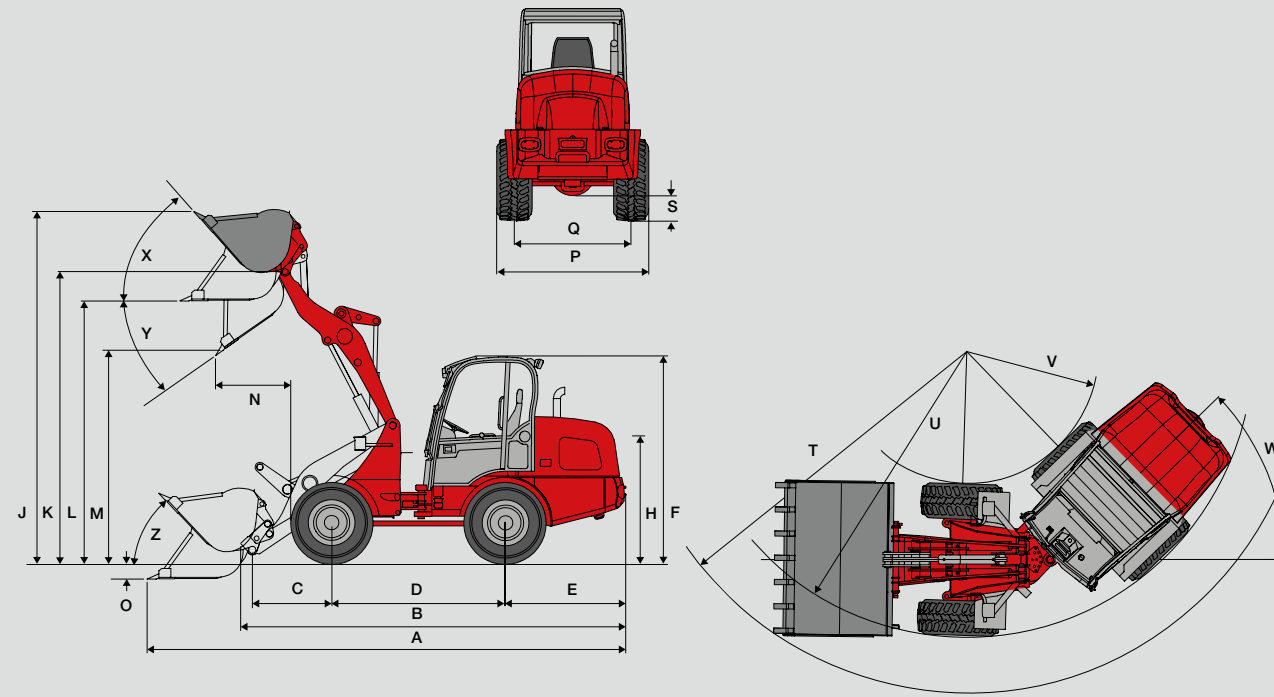
TECHNICAL DATA		3070 CX60 LP	3070 CX80 LP	3070 CX60	3070 CX80	3070 CX60 LP T	3070 CX80 LP T	3070 CX60 T	3070 CX80 T
ENGINE SPECIFICATIONS									
Manufacturer		Deutz	Deutz	Deutz	Deutz	Deutz	Deutz	Deutz	Deutz
Engine type		D2011 L04w	TD2011 L04w	D2011 L04w	TD2011 L04w	D2011 L04w	TD2011 L04w	D2011 L04w	TD2011 L04w
Cylinders		4	4	4	4	4	4	4	4
Max. output	kW	45	55,1	45	55,1	45	55,1	45	55,1
at	rpm	2300	2300	2300	2300	2300	2300	2300	2300
Cubic capacity	cm³	3619	3619	3619	3619	3619	3619	3619	3619
Cooling system		Water	Water	Water	Water	Water	Water	Water	Water
ELECTRIC SYSTEM									
Operating voltage	V	12	12	12	12	12	12	12	12
Battery	Ah	77	77	77	77	77	77	77	77
Alternator	A	95	95	95	95	95	95	95	95
WEIGHTS									
Operating weight (standard)	kg	4390	4390	4660	4660	4910	4910	5210	5210
Max. lift force	daN	4136	4136	4136	4136	4428	4428	4428	4428
Tipping load in bucket (ISO 8313)									
Lift mast horizontal / machine is not articulated	kg	2851	2851	3009	3009	2634 (1615)	2634 (1615)	2713 (1522)	2713 (1522)
Lift mast horizontal / machine is articulated	kg	2308	2308	2525	2525	2226 (1226)	2226 (1226)	2339 (1296)	2339 (1296)
Tipping load on pallet fork (ISO 8313)									
Lift mast horizontal / machine is not articulated	kg	2339	2339	2589	2589	2497 (1501)	2497 (1501)	2595 (1562)	2595 (1562)
Lift mast horizontal / machine is articulated	kg	1910	1910	2116	2116	2114 (1253)	2114 (1253)	2232 (1345)	2232 (1345)
MACHINE									
Ground speed	km/h	0 - 20 (30)	0 - 20 (30)	0 - 20 (30)	0 - 20 (30)	0 - 20 (30)	0 - 20 (30)	0 - 20 (30)	0 - 20 (30)
Fuel tank capacity	l	90	90	90	90	90	90	90	90
Hydraulic oil	l	80	80	80	80	80	80	80	80
HYDRAULIC SYSTEM									
External services									
Oil flow	l/min	128,8	128,8	128,8	128,8	128,8	128,8	128,8	128,8
Operating pressure	bar	445	445	445	445	445	445	445	445
Steering hydraulics									
Oil flow	l/min	64,4	64,4	64,4	64,4	64,4	64,4	64,4	64,4
Operating pressure	bar	230	230	230	230	235	235	235	235

All technical data in this brochure refer to series models that have been tested under operating conditions typical of Central Europe and describe their standard functions. Specifications and their modes of functionality as well as accessories listed in this brochure depend on the individual model and on the options available with a particular product as well as the statutory requirements of the country of sale. Illustrations used in this brochure may show products that have not been mentioned or that are not available as series production machines. The descriptions, illustrations, weights and technical data published herein are non-binding in nature and represent the technical status at the time the document went to press. Because of ongoing development, we reserve the right to make changes, without prior notice, to the design, specification, visual appearance and technology of our products. Should you require special functions that would be available only by using additional components and/or under special circumstances, please feel free to contact us. We will be happy to answer any questions you may have and to provide further information regarding whether and under what conditions applying to the product and the target environment such special functions might be feasible. If you have any concerns about the load capacity or operation of our products in certain working conditions or environments, we recommend that you perform a test run under controlled conditions. Despite meticulous attention to detail, we cannot exclude the possibility that our products may not conform to illustrations or stated dimensions, or that errors may have occurred in calculation or during printing, or that the information given here may be incomplete. Consequently, we do not accept liability for the accuracy or completeness of the information supplied in this brochure. All matters relating to our product warranty are contained within our General Terms and Conditions. We expressly decline to provide additional guarantees. Any liability over and above that contained within our General Terms and Conditions is excluded.

STANDARD SPECIFICATION

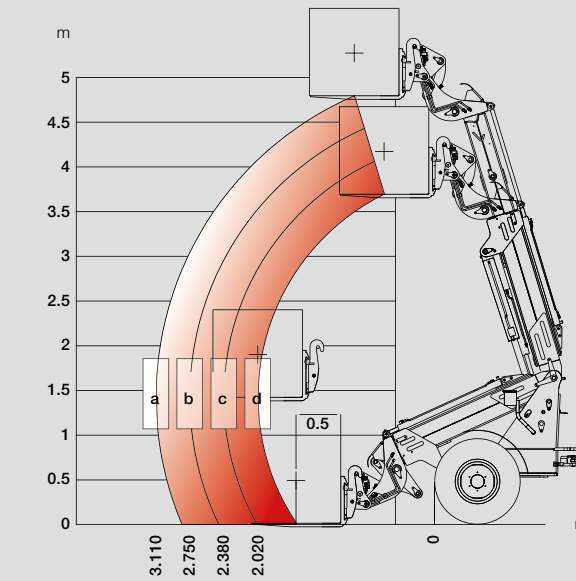
	3070 CX LP	3070 CX	3070 CX LP T	3070 CX T
DRIVELINE				
Hydrostatic four-wheel drive	●	●	●	●
PA1400 planetary axle	●	●	●	●
Pto gearbox and driveshaft	●	●	●	●
11.5/80 - 15.3 AS ET80 tyres incl. reversible rims	●	●	●	●
100% diff lock in front and rear axles electro-hydraulic engagement	●	●	●	●
HYDRAULIC SYSTEM				
Single-handed control with float position next to the seat on the right	●	●	●	●
Joystick	●	●	●	●
Pressureless return line	○	○	○	○
Hydraulic oil cooler	●	●	●	●
Hydraulic connector DN12 at front	●	●	●	●
Hydraulic quick-fit system for attachments	●	●	●	●
Counter balance valves	○	○	○	○
Fully hydraulic pivoting articulation	●	●	●	●
CAB				
Canopy with restraint system ROPS/ROPS certified	●	-	●	-
Comfort cab with heating and ventilation system, side-tilt cab, ROPS/FOPS certified	-	●	-	●
Wipers on front and rear windows	●	●	●	●
Full suspension comfort seat with seat belt	●	●	●	●
Adjustable steering wheel	●	●	●	●
Work lights front and rear	●	●	●	●
Fuel gauge	●	●	●	●
Hour meter	●	●	●	●
Lights	○	●	○	●
German MOT expertise for road travel	○	●	○	●
OTHER EQUIPMENT				
Battery cut-off switch	●	●	●	●
Electric socket on front end	○	○	●	●

● Standard
○ Option

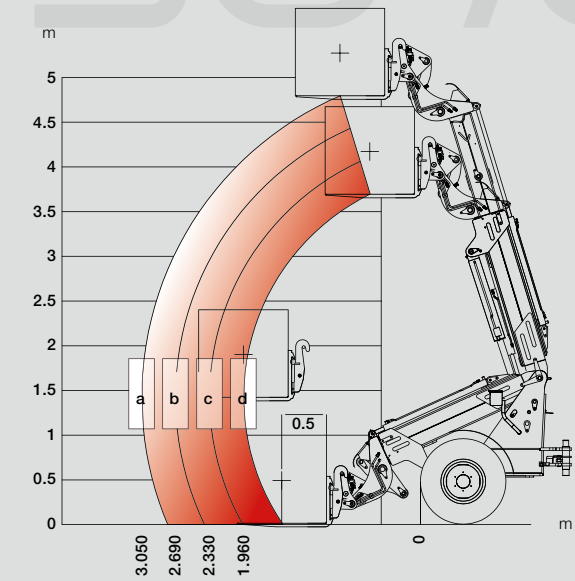


DIMENSIONS mm	3070 CX LP	3070 CX	3070 CX LP T	3070 CX T
A Overall length incl. standard bucket	5606	5606	6215	6215
B Overall length excl. bucket	4545	4545	5160	5160
C Axle middle to bucket pivot pin	1030	1030	1245	1245
D Wheelbase	2005	2005	2190	2190
E Rear overhang	1445	1445	1500	1500
F Height over low / high-profile canopy	2236 / 2358	-	2236 / 2358	-
Height over low / high-profile cab	2236	2411 / 2573	2236	2411 / 2573
H Seat top height	1295	1450	1290	1450
J Overall working height	3906	3954	5812 (5384)	5867 (5440)
K Max. height at bucket pivot pin	3259	3307	4956	5012
L Unloading height*	2957	3007	4630 (4700)	4685 (4755)
M Dump height*	2327	2375	4000	4054
N Reach at M*	867	867	1045	993
O Bucket digging depth*	183	136	150 (80)	95 (25)
P Overall width	1530	1570	1530	1570
Q Track width	1240	1250	1240	1250
S Ground clearance	290	347	290	347
T Maximum radius*	3866	3866	4357	4357
U Outer radius	3419	3419	3810	3810
V Inner radius	1688	1667	2070	2049
W Articulation angle	44°	44°	42°	42°
X Roll back angle at max. lift height	45°	45°	45°	45°
Y Max. dump angle*	38°	38°	33°	33°
Z Roll back angle at ground level*	43°	43°	41°	41°

* 1600 mm earth bucket Figures in () reflect pallet fork attachment



3070 CX LP T



3070 CX T

LOAD CAPACITY DIAGRAM kg

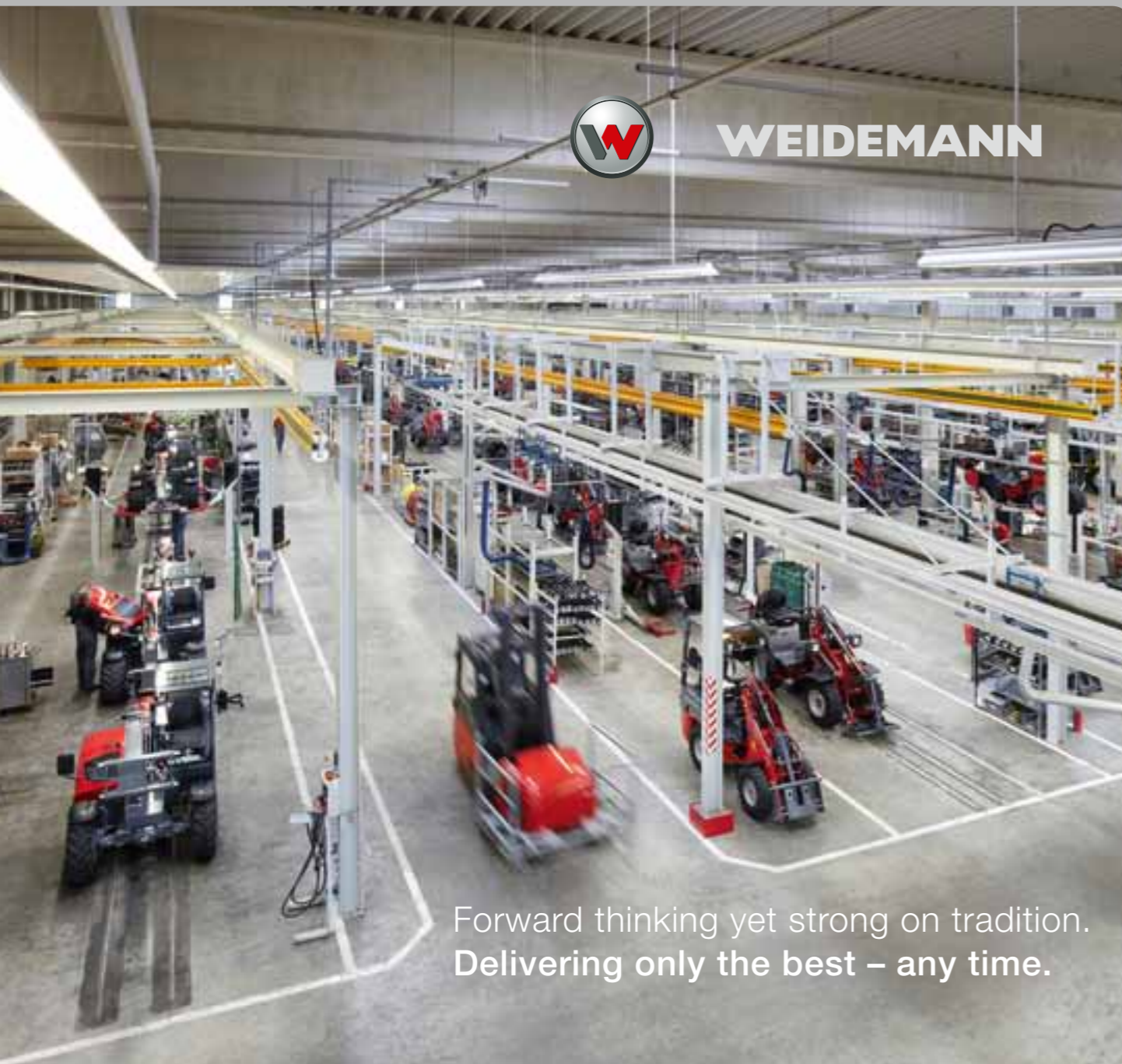
	3070 CX LP T	3070 CX T
a	752	807
b	837	900
c	1106	1165
d	1268	1339

Maximum permissible load to DIN EN 474-3.
3070 CX LP T wheel loader with LS991 boom and standard 11.5/80-15.3 tyres.
3070 CX T wheel loader with LS991 boom and standard 12.5/80-18 tyres.
Safety factor is 1.67 for rough terrain and machine articulated to 42°.

WIDTH / REVERSED mm

	3070 CX LP	3070 CX	3070 CX LP T	3070 CX T
11.5/80 - 15.3 AS ET80	1538* / 1874*	-	1538* / 1874*	-
12.5/80 - 18 AS ET0	1730	1730	1730	1730
12.5/80 - 18 AS ET75	1580 / 1900	1580* / 1890*	1580 / 1900	1580* / 1890*
15.0/55 - 17 AS ET45	1700 / 1880	1700 / 1880	1700 / 1880	1700 / 1880
405/70 - 20 AS ET0	1820	1820	1820	1820
500/45 - 20 AS ET0	1900	1900	1900	1900
15.5/55 - 18 EM ET0	1760	1760	1760	1760
15.5/55 - 18 EM ET60	1640 / 1900	1640 / 1900	1640 / 1900	1640 / 1900
405/70 - 18 EM ET0	1815	1815	1815	1815

* Standard specification



WEIDEMANN

Forward thinking yet strong on tradition.
Delivering only the best – any time.

	Max. engine output	Operating weight	Max. bucket tipping load	Standard width
HOFTRAC®				
1130 CX30	18,5 kW	1530 kg	776 kg	850 mm
1140 CX30	18,5 kW	1550 kg	798 kg	850 mm
1160 CC30	18,5 kW	1910 kg	905 kg	1044 mm
1160 CC35	24,4 kW	2060 kg	994 kg	1044 mm
1230 CX30	18,5 kW	1920 kg	1064 kg	900 mm
1230 CX35	24,6 kW	1950 kg	1126 kg	900 mm
1240 CX35 LP	24,4 kW	1840 kg	1118 kg	970 mm
1240 CX35	24,6 kW	2080 kg	1158 kg	970 mm
1250 CC35	24,6 kW	2170 kg	1057 kg	1044 mm
1250 CX35	24,6 kW	2290 kg	1262 kg	1044 mm
1250 CX35 Cab	24,6 kW	2550 kg	1562 kg	1044 mm
1350 CC45	31,4 kW	2550 kg	1689 kg	1044 mm
1350 CX45	31,4 kW	2700 kg	1972 kg	1044 mm
1350 CX45 Cab	31,4 kW	2870 kg	2083 kg	1044 mm
1370 CX50	35,7 kW	2780 kg	1997 kg	1044 mm
1370 CX50 Cab	35,7 kW	2880 kg	2120 kg	1044 mm
1770 CX50	35,7 kW	2740 kg	1687 kg	1120 mm
1770 CX50 Cab	35,7 kW	2950 kg	1856 kg	1120 mm
WHEEL LOADERS				
2070 CX50 LP	35,7 kW	3270 kg	2300 kg	1415 mm
2070 CX80 LP	58,0 kW	3360 kg	2413 kg	1415 mm
2070 CX50	35,7 kW	3630 kg	2585 kg	1415 mm
2070 CX80	58,0 kW	3730 kg	2688 kg	1415 mm
3070 CX60 LP	45,0 kW	4390 kg	2851 kg	1538 mm
3070 CX80 LP	58,0 kW	4390 kg	2851 kg	1538 mm
3070 CX60	45,0 kW	4660 kg	3009 kg	1580 mm
3070 CX80	58,0 kW	4660 kg	3009 kg	1580 mm
4070 CX80 LP	58,0 kW	5230 kg	3002 kg	1750 mm
4070 CX80	58,0 kW	5480 kg	3356 kg	1750 mm
4070 CX100	74,5 kW	5730 kg	3766 kg	1750 mm
8080 CX120	88,0 kW	8400 kg	5400 kg	2240 mm
TELEHANDLERS				
2070 CX50 LP T	35,7 kW	3750 kg	2090 kg	1415 mm
2070 CX80 LP T	58,0 kW	3860 kg	2209 kg	1415 mm
2070 CX50 T	35,7 kW	3970 kg	2291 kg	1415 mm
2070 CX80 T	58,0 kW	4090 kg	2457 kg	1415 mm
3070 CX60 LP T	45,0 kW	4910 kg	2634 kg	1538 mm
3070 CX80 LP T	58,0 kW	4910 kg	2634 kg	1538 mm
3070 CX60 T	45,0 kW	5210 kg	2713 kg	1580 mm
3070 CX80 T	58,0 kW	5210 kg	2713 kg	1580 mm
4070 CX80 T	58,0 kW	5580 kg	3315 kg	1750 mm
4070 CX100 T	74,5 kW	5800 kg	3571 kg	1750 mm
T4512 CC35	22,6 kW	2530 kg	1200 kg (Payload)	1560 mm
T6025 CC70	50,0 kW	4730 kg	2500 kg (Payload)	1960 mm



High-quality powder coat finish.
Aiming for quality that lasts. Viable for all.

Honest quality through and through.
High-quality material that is strong enough to always offer reserves. That's Weidemann.





WEIDEMANN



We consider it our ongoing mission to abide by our pledge to provide quality products and services:

Reliability, credibility, flexibility, innovation, quality and responsiveness.

Compact machines from Weidemann deliver in environments where our competitors will simply walk away. Our products impress by virtue of their quality, power, dependable hydraulics, compact dimensions, innovative technology, maximum productivity and operational reliability.

Weidemann GmbH
Mühlhäuser Weg 45-49
34519 Diemelsee-Flechtdorf
Germany
Tel. +49(0)5633 609-0
Fax +49(0)5633 609-666
info@weidemann.de
www.weidemann.de