

x4 Long Front

210x4_{LF} 250x4_{LF} 350x4_{LF}



SPECIAL

Link-Belt
EXCAVATORS



FACTORY-BUILT TO DELIVER MORE PERFORMANCE

Link-Belt X4 Series Long reach excavators are versatile and tough enough to take on a variety of dredging, cleaning and sloping applications. All models feature innovative EPA Final Tier 4 engines from Isuzu that strike the ultimate balance between power, productivity and fuel efficiency. You will experience up to 8% improved fuel economy in the base machine, with the added benefit of no costly diesel particulate filters (DPF) to maintain or replace. These machines are all factory-built to insure maximum strength, performance and reliability. Settle in to the roomiest, most accommodating cab in their class, with more legroom and a new high back, heated seat for shift-long comfort.



ATTENTION TO DETAILS AT EVERY LEVEL

(A) Quiet, pressurized cab offers **excellent visibility** and **comfortable, best-in-class seating**. Enough floor space to accommodate the largest of work boots, with roomy cup holders and storage compartments for cell phones, snacks and other personal items.

(B) 7" high-definition LCD monitor **keeps you connected to your machine and work environment**. RemoteCARE® telematics keeps a watchful eye on performance, maintenance intervals and theft deterrence...included on all Long Fronts with no subscription fees.

(C) Three power modes (Speed Priority, Heavy and Applied Power) let you **choose the best blend of power, precision and fuel savings** for the work you're doing.

(D) Ergonomic joysticks **fit your hand perfectly**.



(E) **Factory-built boom and arm** deliver uncompromised strength and durability across tough applications like sloping and dredging. Ulti-Flow™ hydraulic system features electronically-controlled pumps, a new solenoid valve and a new control valve with a 30% larger hydraulic passage area.

(F) Robust undercarriage features **larger track rollers and thicker plating for longer life**. Unique side-frame design **reduces dirt accumulation** and is **easier to clean**.

(G) Full-time, rear-view camera display is standard; add the WAVES™ option for a **seamless 270° view around the machine**.

(H) 2.5% DEF (Diesel Exhaust Fluid) consumption rate, combined with **one of the largest DEF tank capacities** lets you **work long hours between refills**.



All improvements and percentage increases are in reference to Link-Belt X3 Series excavators, unless otherwise stated



210X4 LF SPECIFICATIONS

Engine

Isuzu AR-4HK1X Final Tier 4 turbocharged diesel engine
 SAE J 1349 net hp 160 hp (119.3 kW) @ 1,800 rpm
 Displacement 317 cu in (5.2 L)
 Maximum torque 457 lbf-ft (620 Nm) @ 1,600 rpm
 Starter 24V-5.0kW
 Alternator 50 amp
 Battery (2) 12-volt 92 amp hours

Hydraulic System

Hydraulic Pumps
 Pump Output 2 x 55.7 gpm (211 L/min)
 Pilot Pump Maximum Flow 4.8 gpm (18 L/min)

Relief Valve Settings

Boom Up / Arm Out 4,970 psi (34.3 MPa)
 in Power Boost 5,410 psi (37.3 MPa)
 Arm In 3,330 psi (23.0 MPa)
 Boom Down 4,270 psi (29.4 MPa)
 Bucket 3,620 psi (25.0 MPa)
 Swing Circuit 3,480 psi (24.0 MPa)
 Travel Circuit 4,970 psi (34.3 MPa)

Hydraulic Cylinders

number of cylinders - bore x stroke
 Boom 2 - 4.7" x 49.4" (120 mm x 1,255 mm)
 Arm 1 - 5.7" x 64.1" (145 mm x 1,627 mm)
 Bucket 3.7" x 34.7" (95 mm x 881 mm)

Swing

Swing Speed 11.5 rpm
 Tail Swing 9' 2" (2.79 m)
 Swing Torque 38,500 lbf-ft (52.2 kNm)

Undercarriage

Carrier Rollers 2 per Side
 Track Rollers 8 per Side
 Track Link Pitch 7.48" (190 mm)
 Shoes 49 per Side
 Shoe Width 31.5" (800 mm)
 Ground Pressure 5.37 psi (0.037 MPa)

Travel System

Travel Speeds 2.1 - 3.5 mph (3.4 - 5.6 km/h)
 Drawbar Pull 42,300 lbf (188 kN)
 Gradeability 70% (35°)

Attachment

Boom 28' 7" (8.70 m)
Available Arms **Digging Force**
 • 21' 0" (6.40 m) 10,300 lbf (46 kN)
 • Bucket Digging Force 14,600 lbf (65 kN)

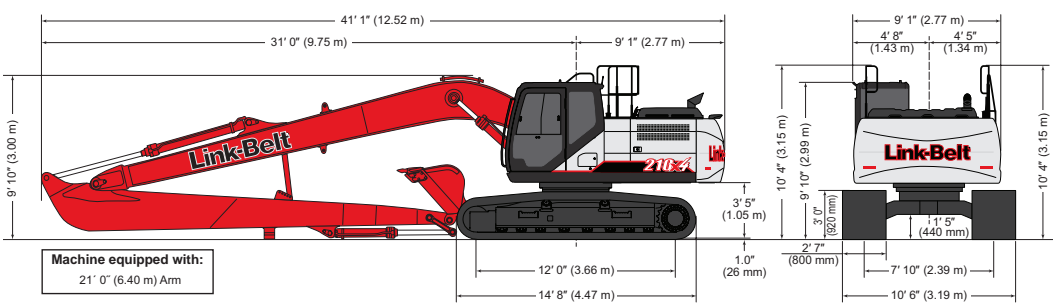
Capacities

Fuel Tank 108 Gallons (410.0 Liters)
 Hydraulic System 66 Gallons (250.0 Liters)
 Hydraulic Tank 39 Gallons (147.0 Liters)
 Final Drive (per side) 1.3 Gallons (5.0 Liters)
 Swing Drive 1.3 Gallons (5.0 Liters)
 Engine Oil 6.1 Gallons (23.1 Liters)
 DEF Tank 31.7 Gallons (120.0 Liters)
 Coolant System 8.3 Gallons (31.4 Liters)

Operating Weight

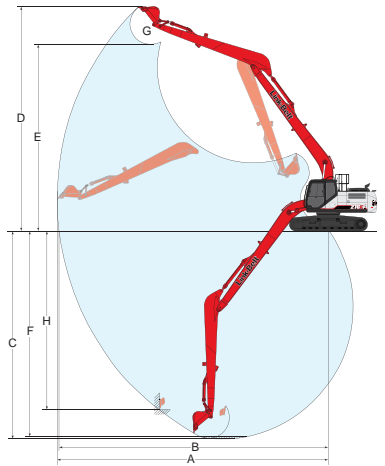
Working weight with 31.5" (800 mm) shoes, 28' 7" (8.70 m) boom, 21' 0" (6.40 m) arm, 728 lb. (340 kg) bucket, 10,362 lb. (4 700 kg) counterweight 51 900 lbs. (23,500 kg)

210X4 LF TRAVEL DIMENSIONS







210X4 LF WORKING RANGE

Machine Equipped with 28' 7" (8.70 m) Boom	Arm 21' 0" (6.40 m)
A. Maximum reach	51' 2" (15.60 m)
B. Maximum reach @ ground level	50' 10" (15.49 m)
C. Maximum dig depth	39' 5" (12.01 m)
D. Maximum dig height	42' 7" (12.97 m)
E. Maximum dump height	35' 2" (10.73 m)
F. Digging depth 8' (2.44 m) level bottom	39' 0" (11.89 m)
G. Bucket rotation	178°
H. Maximum vertical wall depth	33' 10" (10.30 m)



210X4 LF LIFTING CAPACITIES

Radius of Load													
21' 0" (6.40 m) Arm with 28' 7" (8.70 m) Boom and 750 lb. (340 kg) Bucket with Power-Boost Applied													
 End	 Side	5' 0" (1.5 m)		10' 0" (3.0 m)		15' 0" (4.5 m)		20' 0" (6.0 m)		25' 0" (7.5 m)		30' 0" (9.0 m)	
		End	Side	End	Side	End	Side	End	Side	End	Side	End	Side
+20' 0" (6.0 m)	lbs kg												
+15' 0" (4.5 m)	lbs kg											5,050*	5,050*
+10' 0" (3.0 m)	lbs kg			10,550*	10,550*	7,050*	7,050*	8,300*	8,300*	6,850*	6,850*	5,950*	5,900
+5' 0" (1.5 m)	lbs kg			7,300*	7,300*	14,700*	14,700*	10,350*	10,200*	8,150*	7,400	6,800*	5,550
Ground Line	lbs kg	2,500*	2,500*	5,300*	5,300*	13,450*	13,450*	12,150*	9,200	9,300*	6,700	7,600*	5,050
-5' 0" (1.5 m)	lbs kg	4,100*	4,100*	6,100*	6,100*	11,100*	11,100*	13,400*	8,400	10,050	6,150	7,700	4,650
-10' 0" (3.0 m)	lbs kg	5,650*	5,650*	7,300*	7,300*	11,350*	11,350*	13,550	7,950	9,700	5,800	7,400	4,400
-15' 0" (4.5 m)	lbs kg	7,150*	7,150*	8,750*	8,750*	12,600*	11,950*	13,400	7,850	9,500	5,650	7,250	4,300
-20' 0" (6.0 m)	lbs kg	8,650*	8,650*	10,500*	10,500*	14,550*	12,350	13,450	7,950	9,550	5,650	7,250	4,300
-25' 0" (7.5 m)	lbs kg	10,750*	10,750*	13,100*	13,100*	17,650*	12,750	13,500*	8,150	9,700	5,850	7,400	4,450
-30' 0" (9.0 m)	lbs kg	12,550*	12,550*	16,250*	16,250*	16,100*	13,350	12,200*	8,550	9,600*	6,150	7,550	4,750
-35' 0" (10.5 m)	lbs kg			18,050*	18,050*	12,950*	12,950*	9,900*	9,100	7,550*	6,650		

Radius of Load											
21' 0" (6.40 m) Arm with 28' 7" (8.70 m) Boom and 750 lb. (340 kg) Bucket with Power-Boost Applied											
 End	 Side	35' 0" (10.5 m)		40' 0" (12.0 m)		45' 0" (13.5 m)		50' 0" (15.0 m)		Cap. at Max. Reach	
		End	Side	End	Side	End	Side	End	Side	End	Side
+40' 0" (12.0 m)	lbs kg									2,200*	2,200*
+35' 0" (10.5 m)	lbs kg			2,900*	2,900*					2,050*	2,050*
+30' 0" (9.0 m)	lbs kg			3,750*	3,750*					1,950*	1,950*
+25' 0" (7.5 m)	lbs kg			4,000*	3,950	3,300*	3,000			1,900*	1,900*
+20' 0" (6.0 m)	lbs kg	4,200*	4,200*	4,150*	3,900	4,000*	2,950			1,900*	1,900*
+15' 0" (4.5 m)	lbs kg	4,700*	4,700*	4,450*	3,700	4,250*	2,800			1,950*	1,950*
+10' 0" (3.0 m)	lbs kg	5,300*	4,550	4,850*	3,500	4,450	2,650	2,250*	2,000	2,050*	2,000
+5' 0" (1.5 m)	lbs kg	5,900*	4,200	5,250	3,250	4,250	2,500	2,450*	1,950	2,200*	1,900
Ground Line	lbs kg	6,350	3,900	5,100	3,050	4,150	2,400			2,350*	1,900
-5' 0" (1.5 m)	lbs kg	6,050	3,650	4,900	2,850	4,000	2,250			2,600*	1,900
-10' 0" (3.0 m)	lbs kg	5,850	3,450	4,750	2,750	3,950	2,200			2,950*	2,000
-15' 0" (4.5 m)	lbs kg	5,750	3,350	4,700	2,700	3,450*	2,200			3,400*	2,200
-20' 0" (6.0 m)	lbs kg	5,800	3,400	4,800	2,750					4,100*	2,500
-25' 0" (7.5 m)	lbs kg	5,950	3,550							5,150	3,050
-30' 0" (9.0 m)	lbs kg									6,250*	3,950
-35' 0" (10.5 m)	lbs kg									6,600*	5,750

Notes: Lifting capacities

- Lifting capacities shown should not be exceeded. Weight of all lifting accessories must be deducted from the above lifting capacities.
- Lifting capacities are based on machine standing on firm, uniform supporting surface. User must make allowances for job conditions such as soft or uneven ground.
- Lifting capacities shown do not exceed 75% of minimum tipping loads or 87% of hydraulic capacities. Capacities marked with an asterisk (*) are limited by hydraulic capacities.
- Least stable position is over the side.
- Operator should be fully acquainted with the Operator's Manual & Operating Safety Booklet, furnished by LBX before operating the machine.
- Capacities apply only to the machine as originally manufactured and normally equipped by LBX Company, LLC.
- Lift capacity ratings are based on ISO 10567, "Earthmoving Machinery - Hydraulic Excavators - Lift Capacity."

250x4 LONG FRONT



250X4 LF SPECIFICATIONS

Engine

Isuzu AQ-4HK1X Final Tier 4 turbocharged diesel engine
 SAE J 1349 net horsepower... 177 hp (132 kW) @ 2,000 rpm
 Displacement 317 cu in (5.2 L)
 Maximum Torque 458 lbf-ft (621 Nm) @ 1,800 rpm
 Starter 24V-5.0kW
 Alternator 50 amp
 Battery (2) 12-volt 92 amp hours

Hydraulic System

Hydraulic Pumps

Pump Output 2 x 61.8 gpm (234 L/min)
 Pilot Pump Maximum Flow 5.3 gpm (20 L/min)

Relief Valve Settings

Boom/Arm/Bucket 4,970 psi (34.3 MPa)
 in Power Boost 5,410 psi (37.3 MPa)
 Swing Circuit 3,920 psi (27.0 MPa)
 Travel Circuit 4,970 psi (34.3 MPa)

Hydraulic Cylinders

number of cylinders - bore x stroke
 Boom 2 - 5.1" x 52.6"
 (130 mm x 1,335 mm)
 Arm 1 - 5.9" x 68.4"
 (150 mm x 1,737 mm)
 Bucket 3.7" x 34.7"
 (95 mm x 881 mm)

Swing

Swing Speed 10.6 rpm
 Tail Swing 9' 8" (2.95 m)
 Swing Torque 51,500 lbf-ft (69.8 kNm)

Undercarriage

Carrier Rollers 2 per Side
 Track Rollers 9 per Side
 Track Link Pitch 7.48" (190 mm)
 Shoes 51 per Side
 Shoe Width 31.5" (800 mm)
 Ground Pressure 6.24 psi (0.043 MPa)

Travel System

Travel Speeds 2.2 - 3.4 mph (3.5 - 5.5 km/h)
 Drawbar Pull 45,000 lbf (200 kN)
 Gradeability 70% (35°)

Attachment

Boom 33' 9" (10.3 m)
Available Arms **Digging Force**
 • 26' 3" (8.00 m) 9,060 lbf (40 kN)
 • Bucket Digging Force 17,300 lbf (77 kN)

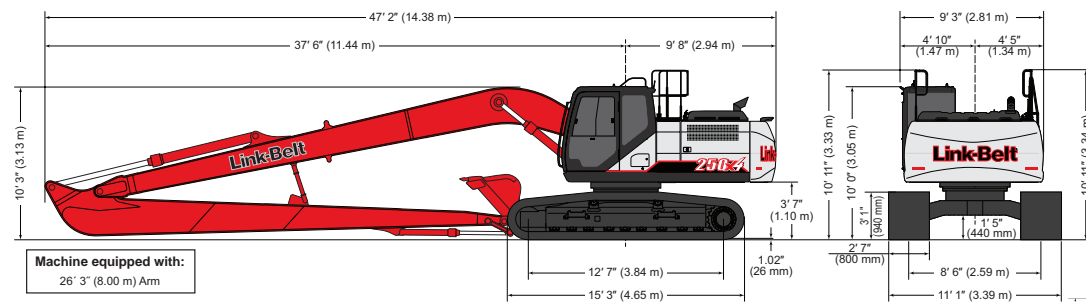
Capacities

Fuel Tank 108 Gallons (410.0 Liters)
 Hydraulic System 66 Gallons (250.0 Liters)
 Hydraulic Tank 39 Gallons (147.0 Liters)
 Final Drive (per side) 1.3 Gallons (5.0 Liters)
 Swing Drive 2.6 Gallons (9.7 Liters)
 Engine Oil 6.1 Gallons (23.1 Liters)
 DEF Tank 31.7 Gallons (120.0 Liters)
 Coolant System 8.3 Gallons (31.4 Liters)

Operating Weight - No Tool

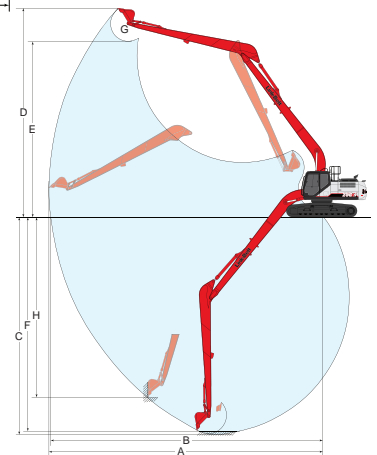
Working weight with 31.5" (800 mm) shoes, 33' 9" (10.3 m) boom, 26' 3" (8.0 m) arm, 750 lb. (340 kg) bucket, 16,200 lb. (7,350 kg) counterweight 63,600 lbs. (28,800 kg)

250X4 LF TRAVEL DIMENSIONS







250X4 LF WORKING RANGE

Machine Equipped with 33' 9" (10.3 m) Boom	Arm 26' 3" (8.00 m)
A. Maximum reach	60' 0" (18.32 m)
B. Maximum reach @ ground level	59' 9" (18.22 m)
C. Maximum dig depth	47' 9" (14.56 m)
D. Maximum dig height	45' 9" (13.95 m)
E. Maximum dump height	38' 8" (11.78 m)
F. Digging depth 8' (2.44 m) level bottom	47' 3" (14.41 m)
G. Bucket rotation	178°
H. Maximum vertical wall depth	39' 10" (12.13 m)



250X4 LF LIFTING CAPACITIES

Radius of Load 26' 3" (8.0 m) Arm with 33' 9" (10.3 m) Boom and 750 lb. (340 kg) Bucket with Power-Boost Applied													
		5' 0" (1.5 m)		10' 0" (3.0 m)		15' 0" (4.5 m)		20' 0" (6.0 m)		25' 0" (7.5 m)		30' 0" (9.0 m)	
		End	Side	End	Side	End	Side	End	Side	End	Side	End	Side
+10' 0" (3.0 m)	lbs kg			8,600* 3 810*	8,600* 3 810*	5,800* 3 070*	5,800* 3 070*	4,750* 2 490*	4,750* 2 490*	7,900* 3 690*	7,900* 3 690*	6,750* 3 120*	6,750* 3 120*
+5' 0" (1.5 m)	lbs kg			4,650* 1 980*	4,650* 1 980*	16,400* 7 470*	16,400* 7 470*	12,200* 5 670*	12,200* 5 670*	9,450* 4 370*	9,450* 4 370*	7,750* 3 590*	7,750* 3 590*
Ground Line	lbs kg	1,450* 650*	1,450* 650*	3,400* 1 490*	3,400* 1 490*	8,450* 3 680*	8,450* 3 680*	14,250* 6 600*	13,200* 6 100*	10,800* 4 990*	9,750* 4 520*	8,700* 4 020*	7,500* 3 480*
-5' 0" (1.5 m)	lbs kg	2,600* 1 180*	2,600* 1 180*	3,950* 1 760*	3,950* 1 760*	7,200* 3 170*	7,200* 3 170*	14,500* 6 290*	11,900* 5 530*	11,900* 5 490*	8,850* 4 110*	9,500* 4 390*	6,850* 3 190*
-10' 0" (3.0 m)	lbs kg	3,700* 1 670*	3,700* 1 670*	4,900* 2 190*	4,900* 2 190*	7,500* 3 310*	7,500* 3 310*	12,700* 5 560*	11,150* 5 180*	12,650* 5 850*	8,250* 3 820*	10,150* 4 680*	6,400* 2 970*
-15' 0" (4.5 m)	lbs kg	4,850* 2 160*	4,850* 2 160*	6,000* 2 680*	6,000* 2 680*	8,250* 3 670*	8,250* 3 670*	12,750* 5 580*	10,800* 5 010*	12,950* 6 010*	7,850* 3 660*	9,950* 4 610*	6,100* 2 830*
-20' 0" (6.0 m)	lbs kg	6,000* 2 680*	6,000* 2 680*	7,200* 3 220*	7,200* 3 220*	9,350* 4 160*	9,350* 4 160*	13,600* 5 970*	10,800* 5 000*	12,800* 5 940*	7,750* 3 610*	9,800* 4 540*	5,950* 2 760*
-25' 0" (7.5 m)	lbs kg	7,250* 3 230*	7,250* 3 230*	8,450* 3 760*	8,450* 3 760*	10,750* 4 760*	10,750* 4 760*	15,150* 6 630*	10,900* 5 070*	12,850* 5 950*	7,800* 3 630*	9,800* 4 540*	5,950* 2 770*
-30' 0" (9.0 m)	lbs kg	8,600* 3 830*	8,600* 3 830*	10,100* 4 480*	10,100* 4 480*	12,750* 5 610*	12,750* 5 610*	16,100* 7 460*	11,200* 5 200*	12,750* 5 910*	8,000* 3 710*	9,900* 4 600*	6,100* 2 830*
-35' 0" (10.5 m)	lbs kg	10,100* 4 540*	10,100* 4 540*	12,150* 5 380*	12,150* 5 380*	15,350* 6 740*	15,350* 6 740*	14,950* 6 970*	11,650* 5 390*	11,950* 5 560*	8,350* 3 860*	9,750* 4 550*	6,400* 2 950*
-40' 0" (12.0 m)	lbs kg			14,400* 6 430*	14,400* 6 430*	17,000* 7 840*	17,000* 7 840*	13,150* 6 180*	12,300* 5 670*	10,500* 4 950*	8,850* 4 080*	8,550* 4 040*	6,850* 3 140*
-45' 0" (13.5 m)	lbs kg							10,200* 4 940*	10,200* 4 940*	8,050* 3 930*	8,050* 3 930*		

Radius of Load 26' 3" (8.0 m) Arm with 33' 9" (10.3 m) Boom and 750 lb. (340 kg) Bucket with Power-Boost Applied													
		35' 0" (10.5 m)		40' 0" (12.0 m)		45' 0" (13.5 m)		50' 0" (15.0 m)		55' 0" (16.5 m)		Cap at Max. Reach	
		End	Side	End	Side	End	Side	End	Side	End	Side	End	Side
+40' 0" (12.0 m)	lbs kg											2,850* 1 290*	2,850* 1 290*
+35' 0" (10.5 m)	lbs kg							3,550* 1 630*	3,550* 1 630*			2,800* 1 260*	2,800* 1 260*
+30' 0" (9.0 m)	lbs kg					3,700* 1 670*	3,700* 1 670*	3,750* 1 700*	3,750* 1 700*			2,750* 1 250*	2,750* 1 250*
+25' 0" (7.5 m)	lbs kg					3,850* 1 750*	3,850* 1 750*	3,850* 1 750*	3,850* 1 750*	3,550* 1 700*	3,100* 1 470*	2,800* 1 260*	2,800* 1 260*
+20' 0" (6.0 m)	lbs kg					4,100* 1 870*	4,100* 1 870*	4,000* 1 820*	3,850* 1 800*	3,850* 1 780*	3,000* 1 420*	2,850* 1 280*	2,600* 1 170*
+15' 0" (4.5 m)	lbs kg			4,700* 2 180*	4,700* 2 180*	4,400* 2 030*	4,400* 2 030*	4,200* 1 920*	3,700* 1 730*	4,050* 1 870*	2,900* 1 360*	2,900* 1 320*	2,400* 1 080*
+10' 0" (3.0 m)	lbs kg	5,900* 2 740*	5,900* 2 740*	5,300* 2 440*	5,300* 2 440*	4,800* 2 220*	4,350* 2 040*	4,500* 2 060*	3,450* 1 630*	4,250* 1 950*	2,750* 1 300*	3,050* 1 380*	2,250* 1 010*
+5' 0" (1.5 m)	lbs kg	6,650* 3 070*	6,400* 2 970*	5,850* 2 700*	5,100* 2 380*	5,250* 2 420*	4,100* 1 910*	4,800* 2 210*	3,250* 1 530*	4,350* 2 030*	2,600* 1 230*	3,200* 1 460*	2,150* 970*
Ground Line	lbs kg	7,350* 3 380*	5,900* 2 750*	6,350* 2 940*	4,700* 2 200*	5,650* 2 610*	3,800* 1 780*	5,050* 2 340*	3,050* 1 440*	4,200* 1 970*	2,450* 1 160*	3,450* 1 560*	2,100* 950*
-5' 0" (1.5 m)	lbs kg	7,950* 3 660*	5,450* 2 540*	6,850* 3 150*	4,400* 2 040*	5,800* 2 700*	3,550* 1 660*	4,850* 2 260*	2,900* 1 350*	4,100* 1 910*	2,350* 1 100*	3,700* 1 680*	2,100* 950*
-10' 0" (3.0 m)	lbs kg	8,200* 3 810*	5,100* 2 370*	6,700* 3 130*	4,100* 1 920*	5,600* 2 600*	3,350* 1 570*	4,700* 2 190*	2,750* 1 290*	4,000* 1 870*	2,250* 1 060*	3,800* 1 730*	2,150* 970*
-15' 0" (4.5 m)	lbs kg	7,950* 3 690*	4,850* 2 250*	6,500* 3 030*	3,900* 1 830*	5,450* 2 540*	3,200* 1 500*	4,600* 2 150*	2,650* 1 250*			4,000* 1 810*	2,250* 1 020*
-20' 0" (6.0 m)	lbs kg	7,800* 3 630*	4,700* 2 190*	6,400* 2 980*	3,850* 1 780*	5,400* 2 500*	3,150* 1 470*	4,600* 2 140*	2,650* 1 230*			4,300* 1 940*	2,450* 1 100*
-25' 0" (7.5 m)	lbs kg	7,800* 3 630*	4,750* 2 200*	6,450* 2 990*	3,850* 1 790*	5,450* 2 520*	3,200* 1 490*					4,750* 2 130*	2,750* 1 230*
-30' 0" (9.0 m)	lbs kg	7,950* 3 670*	4,850* 2 250*	6,550* 3 040*	4,000* 1 840*	5,600* 2 580*	3,350* 1 550*					5,400* 2 420*	3,200* 1 440*
-35' 0" (10.5 m)	lbs kg	8,050* 3 730*	5,100* 2 360*	6,650* 3 100*	4,250* 1 960*							6,300* 2 840*	3,950* 1 750*
-40' 0" (12.0 m)	lbs kg	6,850* 3 280*	5,350* 2 540*									6,750* 3 050*	5,250* 2 290*
-45' 0" (13.5 m)	lbs kg											7,150* 3 220*	7,150* 3 220*

Notes: Lifting capacities

- Lifting capacities shown should not be exceeded. Weight of all lifting accessories must be deducted from the above lifting capacities.
- Lifting capacities are based on machine standing on firm, uniform supporting surface. User must make allowances for job conditions such as soft or uneven ground.
- Lifting capacities shown do not exceed 75% of minimum tipping loads or 87% of hydraulic capacities. Capacities marked with an asterisk (*) are limited by hydraulic capacities.
- Least stable position is over the side.
- Operator should be fully acquainted with the Operator's Manual & Operating Safety Booklet, furnished by LBX before operating the machine.
- Capacities apply only to the machine as originally manufactured and normally equipped by LBX Company, LLC.
- Lift capacity ratings are based on ISO 10567, "Earthmoving Machinery - Hydraulic Excavators - Lift Capacity."

350x4

LONG FRONT



350X4 LF SPECIFICATIONS

Engine

Isuzu AQ-6HK1X Final Tier 4 turbocharged diesel engine
 SAE J 1349 net horsepower... 268 hp (200 kW) @ 1,900 rpm
 Displacement 475 cu in (7.8 L)
 Maximum Torque 729 lbf-ft (988 Nm) @ 1,500 rpm
 Starter 24V-5.0kW
 Alternator 50 amp
 Battery (2) 12-volt 128 amp hours

Hydraulic System

Hydraulic Pumps
 Pump Output 2 x 79.3 gpm (300 L/min)
 Pilot Pump Maximum Flow 7.5 gpm (28.5 L/min)

Relief Valve Settings

Boom Up / Arm 4,970 psi (34.3 MPa)
 in Power Boost 5,410 psi (37.3 MPa)
 Boom Down 2,990 psi (20.6 MPa)
 Bucket 3,840 psi (26.5 MPa)
 Swing Circuit 4,050 psi (27.9 MPa)
 Travel Circuit 4,970 psi (34.3 MPa)

Hydraulic Cylinders

number of cylinders - bore x stroke
 Boom 2 - 5.7" x 58.9"
 (145 mm x 1,495 mm)
 Arm 1 - 5.9" x 68.4"
 (150 mm x 1,737 mm)
 Bucket 4.7" x 39.8"
 (120 mm x 1,010 mm)

Swing

Swing Speed 9.7 rpm
 Tail Swing 11' 8" (3.55 m)
 Swing Torque 76,000 lbf-ft (103 kNm)

Undercarriage

Carrier Rollers 2 per Side
 Track Rollers 8 per Side
 Track Link Pitch 8.5" (216 mm)
 Shoes 48 per Side
 Shoe Width 31.5" (800 mm)
 Ground Pressure 8.12 psi (0.056 MPa)

Travel System

Travel Speeds 2.1 - 3.5 mph (3.4 - 5.7 km/h)
 Drawbar Pull 59,600 lbf (265 kN)
 Gradeability 70% (35°)

Attachment

Boom 35' 9" (10.78 m)
Available Arm Digging Force
 • 25' 2" (7.63 m) 14,900 lbf (66.2 kN)
 with Auto Power Boost 16,200 lbf (72 kN)
 • Bucket Digging Force 24,500 lbf (109 kN)

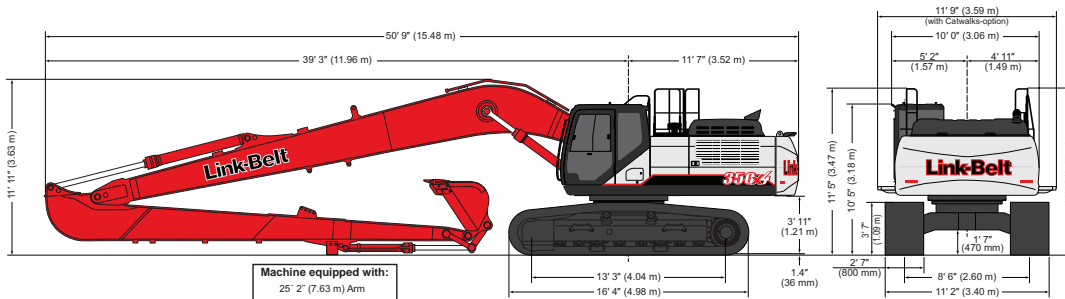
Capacities

Fuel Tank 153 Gallons (580 Liters)
 Hydraulic System 92 Gallons (350 Liters)
 Hydraulic Tank 46 Gallons (175 Liters)
 Final Drive (per side) 2.5 Gallons (9.5 Liters)
 Swing Drive 1.3 Gallons (5 Liters)
 Engine Oil 12.7 Gallons (48 Liters)
 DEF Tank 40 Gallons (152 Liters)
 Coolant System 10 Gallons (38 Liters)

Operating Weight - No Tool

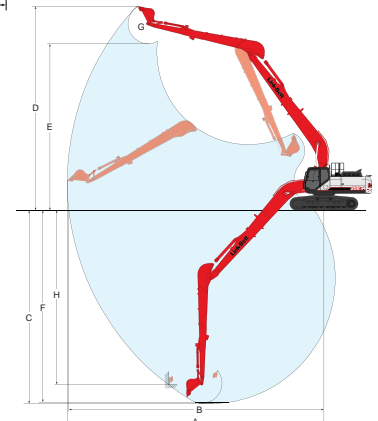
Working weight with 31.5" (800 mm) shoes, 35' 9" (10.78 m) boom, 25' 2" (7.63 m) arm, 1,460 lb. (660 kg) bucket, 19,400 lb. (8,800 kg) counterweight
 88,200 lbs. (40,000 kg)

350X4 LF TRAVEL DIMENSIONS



350X4 LF WORKING RANGE

Machine Equipped with 35' 9" (10.78 m) Boom	Arm 25' 2" (7.63 m)
A. Maximum reach	61' 3" (18.66 m)
B. Maximum reach @ ground level	60' 9" (18.54 m)
C. Maximum dig depth	46' 3" (14.1 m)
D. Maximum dig height	48' 6" (14.77 m)
E. Maximum dump height	39' 8" (12.08 m)
F. Digging depth 8' (2.44 m) level bottom	45' 11" (13.99 m)
G. Bucket rotation	177°
H. Maximum vertical wall depth	41' 8" (12.69 m)



350X4 LF LIFTING CAPACITIES

Radius of Load																
25' 2" (7.63 m) Arm with 35' 9" (10.78 m) Boom and 1,460 lb. (662 kg) Bucket with Power-Boost Applied																
End	Side	5' 0" (1.5 m)		10' 0" (3.0 m)		15' 0" (4.5 m)		20' 0" (6.0 m)		25' 0" (7.5 m)		30' 0" (9.0 m)		35' 0" (10.5 m)		
		End	Side	End	Side	End	Side	End	Side	End	Side	End	Side	End	Side	
15' 0" (4.5 m)	lbs												8,450*	8,450*	7,250*	7,250*
	kg												3,910*	3,910*	3,360*	3,360*
+10' 0" (3.0 m)	lbs					21,500*	21,500*	15,850*	15,850*	11,850*	11,850*	9,500*	9,500*	8,000*	8,000*	
	kg					8,710*	8,710*	7,400*	7,400*	5,520*	5,520*	4,400*	4,400*	3,700*	3,700*	
+5' 0" (1.5 m)	lbs					9,600*	9,600*	18,400*	18,400*	13,550*	13,550*	10,650*	10,650*	8,750*	8,500	
	kg					4,080*	4,080*	8,540*	8,510	6,290*	6,290*	4,940*	4,940*	4,050*	3,940	
Ground Line	lbs			3,300*	3,300*	8,200*	8,200*	18,500*	16,800	14,800*	12,450	11,600*	9,750	9,450*	7,750	
	kg			1,460*	1,460*	3,570*	3,570*	7,960*	7,780	6,850*	5,780	5,370*	4,510	4,370*	3,600	
-5' 0" (1.5 m)	lbs	4,650*	4,650*	5,400*	5,400*	8,950*	8,950*	16,400*	15,750	15,550*	11,550	12,250*	9,000	10,000*	7,150	
	kg	2,110*	2,110*	2,400*	2,400*	3,950*	3,950*	7,140*	7,140*	7,190*	5,370	5,670*	4,180	4,620*	3,340	
-10' 0" (3.0 m)	lbs	6,500*	6,500*	7,400*	7,400*	10,500*	10,500*	16,700*	15,300	15,850*	11,100	12,600*	8,550	10,300*	6,750	
	kg	2,920*	2,920*	3,310*	3,310*	4,650*	4,650*	7,330*	7,070	7,330*	5,150	5,830*	3,970	4,770*	3,150	
-15' 0" (4.5 m)	lbs	8,450*	8,450*	9,650*	9,650*	12,450*	12,450*	18,200*	15,250	15,750*	10,900	12,650*	8,300	10,400*	6,550	
	kg	3,790*	3,790*	4,290*	4,290*	5,530*	5,530*	8,000*	7,080	7,290*	5,060	5,860*	3,850	4,830*	3,040	
-20' 0" (6.0 m)	lbs	10,500*	10,500*	12,000*	12,000*	14,850*	14,850*	19,500*	15,400	15,300*	10,900	12,400*	8,200	10,300*	6,450	
	kg	4,710*	4,710*	5,340*	5,340*	6,580*	6,580*	9,010*	7,160	7,090*	5,060	5,750*	3,820	4,760*	3,000	
-25' 0" (7.5 m)	lbs	12,600*	12,600*	14,500*	14,500*	17,750*	17,750*	18,300*	15,750	14,550*	11,100	11,850*	8,300	9,850*	6,500	
	kg	5,630*	5,630*	6,450*	6,450*	7,860*	7,860*	8,480*	7,310	6,740*	5,140	5,490*	3,860	4,570*	3,020	
-30' 0" (9.0 m)	lbs			17,250*	17,250*	20,750*	20,750*	16,500*	16,200*	13,250*	11,450	10,800*	8,550	9,000*	6,700	
	kg			7,660*	7,660*	9,320*	9,320*	7,690*	7,520*	6,180*	5,300	5,050*	3,970	4,210*	3,100	
-35' 0" (10.5 m)	lbs					17,600*	17,600*	14,000*	14,000*	11,350*	11,350*	9,250*	8,950	7,600*	7,050	
	kg					8,290*	8,290*	6,590*	6,590*	5,340*	5,340*	4,360*	4,150	3,610*	3,250	
-40' 0" (12.0 m)	lbs							10,400*	10,400*	8,450*	8,450*	6,750*	6,750*			
	kg							5,030*	5,030*	4,100*	4,100*	3,300*	3,300*			

Radius of Load														
25' 2" (7.63 m) Arm with 35' 9" (10.78 m) Boom and 1,460 lb. (662 kg) Bucket with Power-Boost Applied														
End	Side	40' 0" (12.0 m)		45' 0" (13.5 m)		50' 0" (15.0 m)		55' 0" (16.5 m)		60' 0" (18.0 m)		Cap at Max. Reach		
		End	Side	End	Side	End	Side	End	Side	End	Side	End	Side	
+40' 0" (12.0 m)	lbs												800*	800*
	kg													350*
+35' 0" (10.5 m)	lbs			3,200*	3,200*	1,900*	1,900*						700*	700*
	kg			1,560*	1,560*	1,050*	1,050*						330*	330*
+30' 0" (9.0 m)	lbs			4,000*	4,000*	2,900*	2,900*	750*	750*				700*	700*
	kg			1,910*	1,910*	1,440*	1,440*	620*	620*				320*	320*
+25' 0" (7.5 m)	lbs	5,500*	5,500*	4,800*	4,800*	3,650*	3,650*	1,900*	1,900*				700*	700*
	kg	2,540*	2,540*	2,280*	2,280*	1,760*	1,760*	1,070*	1,070*				320*	320*
+20' 0" (6.0 m)	lbs	5,950*	5,950*	5,450*	5,450*	4,350*	4,350*	2,700*	2,700*				750*	750*
	kg	2,740*	2,740*	2,500*	2,500*	2,090*	2,090*	1,420*	1,420*				340*	340*
+15' 0" (4.5 m)	lbs	6,400*	6,400*	5,750*	5,750*	5,150*	4,950	3,400*	3,400*				850*	850*
	kg	2,960*	2,960*	2,660*	2,660*	2,420*	2,320	1,720*	1,720*				380*	380*
+10' 0" (3.0 m)	lbs	6,950*	6,950*	6,150*	5,850	5,550*	4,600	4,000*	3,600	950*	950*	950*	950*	950*
	kg	3,200*	3,200*	2,830*	2,730	2,550*	2,170	2,010*	1,710	760*	760*	420*	420*	420*
+5' 0" (1.5 m)	lbs	7,450*	6,750	6,500*	5,400	5,800*	4,300	4,500*	3,400	1,150*	1,150*	1,050*	1,050*	1,050*
	kg	3,440*	3,150	3,000*	2,530	2,670*	2,020	2,260*	1,610	860*	860*	480*	480*	480*
Ground Line	lbs	7,950*	6,200	6,850*	5,000	6,000*	4,000	4,850*	3,200				1,250*	1,250*
	kg	3,670*	2,900	3,160*	2,340	2,780*	1,890	2,460*	1,510				560*	560*
-5' 0" (1.5 m)	lbs	8,350*	5,800	7,150*	4,650	6,200*	3,750	4,900*	3,050				1,500*	1,500*
	kg	3,870*	2,700	3,310*	2,190	2,880*	1,770	2,530*	1,430				670*	670*
-10' 0" (3.0 m)	lbs	8,650*	5,450	7,350*	4,400	6,350*	3,600	4,350*	2,900				1,800*	1,800*
	kg	4,000*	2,550	3,410*	2,070	2,940*	1,680	2,370*	1,370				800*	800*
-15' 0" (4.5 m)	lbs	8,750*	5,250	7,400*	4,250	6,350*	3,500	3,000*	2,850				2,200*	2,200*
	kg	4,050*	2,450	3,440*	1,990	2,950*	1,630	1,860*	1,340				980*	980*
-20' 0" (6.0 m)	lbs	8,600*	5,150	7,300*	4,200	6,150*	3,450						2,750*	2,750*
	kg	4,000*	2,410	3,390*	1,960	2,880*	1,610						1,230*	1,230*
-25' 0" (7.5 m)	lbs	8,250*	5,200	6,900*	4,250	3,900*	3,550						3,550*	3,500
	kg	3,840*	2,420	3,230*	1,980	2,470*	1,650						1,570*	1,570*
-30' 0" (9.0 m)	lbs	7,450*	5,350	6,100*	4,450								4,800*	4,250
	kg	3,510*	2,490	2,890*	2,050								2,100*	1,880
-35' 0" (10.5 m)	lbs	6,100*	5,700										5,650*	5,400
	kg	2,940*	2,630										2,570*	2,380
-40' 0" (12.0 m)	lbs												5,300*	5,300*
	kg												2,430*	2,430*

Notes: Lifting capacities

- Lifting capacities shown should not be exceeded. Weight of all lifting accessories must be deducted from the above lifting capacities.
- Lifting capacities are based on machine standing on firm, uniform supporting surface. User must make allowances for job conditions such as soft or uneven ground.
- Lifting capacities shown do not exceed 75% of minimum tipping loads or 87% of hydraulic capacities. Capacities marked with an asterisk (*) are limited by hydraulic capacities.
- Least stable position is over the side.
- Operator should be fully acquainted with the Operator's Manual & Operating Safety Booklet, furnished by LBX before operating the machine.
- Capacities apply only to the machine as originally manufactured and normally equipped by LBX Company, LLC.
- Lift capacity ratings are based on ISO 10567, "Earthmoving Machinery - Hydraulic Excavators - Lift Capacity."

LONG FRONT BUCKET SIZES

210X4 LF BUCKET SIZES

Bucket Type	SAE Heaped Capacity		Width Outside Lip		Bucket Weight		Number of Teeth	Arm Length 21' 0" (6.40 m)
	yd ³	m ³	in	mm	lbs	kg		
STDP Standard duty plate	0.50	0.38	24	610	791	359	4	H
	0.66	0.50	30	762	889	403	4	M
	0.82	0.63	36	914	1007	457	5	L
	0.98	0.75	42	1067	1110	503	6	NA
DITCH	0.77	0.59	54	1372	903	410	0	M
	0.86	0.66	60	1524	964	437	0	L
	0.95	0.73	60	1524	998	453	0	L

Approval Code For Arm/Bucket Combinations	
H Heavy material (up to 3,370 lbs./yd ³)
M Medium material (up to 2,700 lbs./yd ³)
L Light material (up to 2,020 lbs./yd ³)
N/A Not applicable

250X4 LF BUCKET SIZES

Bucket Type	SAE Heaped Capacity		Width Outside Lip		Bucket Weight		Number of Teeth	Arm Length 26' 3" (8.00 m)
	yd ³	m ³	in	mm	lbs	kg		
STDP Standard duty plate	0.50	0.38	24	610	791	359	4	H
	0.66	0.50	30	762	889	403	4	M
	0.82	0.63	36	914	1007	457	5	L
	0.88	0.67	42	1067	1110	503	6	L
DITCH	0.77	0.59	54	1372	903	410	0	M
	0.86	0.66	60	1524	964	437	0	L
	0.95	0.73	60	1524	998	453	0	L

Approval Code For Arm/Bucket Combinations	
H Heavy material (up to 3,370 lbs./yd ³)
M Medium material (up to 2,700 lbs./yd ³)
L Light material (up to 2,020 lbs./yd ³)
N/A Not applicable

350X4 LF BUCKET SIZES

Bucket Type	SAE Heaped Capacity		Width Outside Lip		Bucket Weight		Number of Teeth	Arm Length 25' 2" (7.63 m)
	yd ³	m ³	in	mm	lbs	kg		
STDP Standard duty plate	0.65	0.50	24	610	1151	522	4	H
	0.87	0.67	30	762	1265	574	4	H
	1.09	0.83	36	914	1433	650	5	M
	1.31	1.00	42	1067	1570	712	5	L
DITCH	1.08	0.83	60	1524	1470	667	0	M
	1.2	0.92	66	1676	1557	706	0	L
	1.33	1.01	72	1829	1596	723	0	L
	1.4	1.07	64	1626	1651	749	0	L

Approval Code For Arm/Bucket Combinations	
H Heavy material (up to 3,370 lbs./yd ³)
M Medium material (up to 2,700 lbs./yd ³)
L Light material (up to 2,020 lbs./yd ³)
N/A Not applicable



TELEMATICS WITH NO SUBSCRIPTION FEE

RemoteCARE[®] lets you remotely monitor and track machine location, operational performance, working status and periodic maintenance requirements - now at no cost to you. It tracks and records both routine and major service intervals for your machines, giving you more flexibility and control when scheduling maintenance procedures. It also lets you be more proactive if potential failure conditions arise; whenever a diagnostic trouble code (DTC) is detected, a warning message appears on the machine display, and an e-mail alert is automatically sent to you. RemoteCARE also assists in theft prevention by offering 24/7 surveillance and geofencing capabilities.

FREE Subscription Includes:

- ✓ 24/7 Remote Monitoring and Security
- ✓ Machine Location
- ✓ Geo-fence & Curfew Range
- ✓ Actual Fuel Consumption
- ✓ Fuel Levels
- ✓ Hour Meter Reading
- ✓ Radiator Water Temperature
- ✓ Machine Working Time/Idle Time
- ✓ Attachment Working Hours
- ✓ Working Modes
- ✓ Service Maintenance Reminders
- ✓ Service Warnings

REMOTE CARE[®] APP

Manage your Link-Belt equipment with this user friendly telematics management tool with GPS technology. The RemoteCARE App provides timely and reliable machine utilization.

App features include...

- Machine location
- Fuel efficiency
- DTC notification history
- Fuel consumption
- Analytical snapshots
- Favorite list
- Utilization report
- Idle rate

Download Apple or Android app at lbxco.com/apps for phone & tablet.

STANDARD & OPTIONAL EQUIPMENT

LONG FRONT STANDARD EQUIPMENT

CAB

- 12V Power Outlet
- AM/FM Sound System
- Anti-Theft Device
- Auxiliary Switches on Control Lever
- Cab Filter - External
- Cab Handrails
- Cab Interior Light
- Cab ISO-Mounts
- Cab Light (2)
- Clear Roof Window
- Climate Control A/C and Heater
- Cup Holder
- Defroster
- Digital Clock
- Emergency Exit and Hammer
- Face Vent
- Floor Mat
- FOPS Level 1 Certified
- Cab OPG Level 1
- Front Window One-Touch Lock
- Gate Lock Hydraulic Activation
- Horn
- Hour Meter (Digital)
- LCD Color Monitor
- Magazine Storage Rack
- Maintenance Interval Reminders
- MP3 Auxiliary Input Jack
- On-Board Diagnostic System
- One-Piece Right Window
- Radio Mute Switch
- Rear View Camera
- Rear View Mirrors (2)
- RemoteCARE Support System (GPS)
- Roof Sun Shade
- ROPS Certified Structure
- Safety Glass Windows
- SCM Air-Suspension Seat
- Seat Recline
- Selectable Monitor Languages
- Small Storage
- Travel Alarm with Cancel Switch
- Trip Meter (Digital)
- Wiper & Washer
- Wiper Switch on RH Joystick

ENGINE

- 50A Alternator
- Air Filter (Double Element)
- Air Filter Restriction Indicator
- Auto Warm-Up System

- Auto-Idle
- Auto-Idle Engine Shutdown
- Battery Disconnect Switch
- EGR (Exhaust Gas Recirculation)
- Cooling Fan
- Diesel Oxidation Catalyst (DOC)
- Drain for Fuel Tank
- Dual Remote Fuel Filters with Water Separators
- EGR Coolers
- Emergency Engine Stop
- Engine Idle System
- Engine Oil Sample Port
- Engine Protection Feature
- External Fuel Gauge
- External DEF Gauge
- Fan Housing
- Fuel Cooler
- Fuel Filter Restriction Indicator
- Fuel Management System
- Fuel Usage History
- Fuel Usage Monitor
- Glow Plug Pre-Heat
- Idle-Start
- Intercooler
- Neutral Start
- One-Touch Idle
- Passive Emissions Regeneration
- Radiator / Oil Cooler / Intercooler Protective Screen
- Remote Engine Oil Drain
- Remote Oil Filter
- Selective Catalytic Reduction (SCR)
- DEF Gauge on Monitor
- VGT Turbocharger

HYDRAULICS

- Anti-Drift Valve
- Arm Regeneration
- Arm Speed Assistance (2 Pump Flow)
- Attachment Cushion Valve
- Auto Swing Priority
- Auxiliary Flow Control
- Auxiliary Tool Settings (Memory)
- Auxiliary Valve
- Boom Regeneration
- Boom Speed Assistance (2 Pump Flow)
- Bucket Curl Assist
- Control Levers Pre-Wired for Auxiliary Hyd.
- Pattern Control Valve (2 way)
- Electronically Controlled Hydraulic Pumps
- Fire Wall
- Free Swing

- Hydraulic Filter Restriction Indicator
- Hydraulic Oil Sample Port
- Long Life Hydraulic Oil (5,000 Hour)
- Neutral Pump De-Stroke
- Oil Cooler
- Power Boost
- Power Save
- Pressure Reading on Monitor
- Pump Stand-By Pressure
- Single Pedal Travel

UNDERCARRIAGE

- Carbody Belly Pan (Swivel Guarding)
- Center Track Guide (single)
- Lashing Points (Tie-Downs)
- Sealed Link Chain
- Steps
- Strutted Track Chain
- X-Pattern Carbody

UPPERSTRUCTURE

- Belly Pans
- Center Cover (Over Main CV)
- Fuel Tank Belly Pan
- Hand Rail (RH access)
- ISO Guard Rails
- Lockable Fuel Cap and Service Doors
- Lockable Tool Box
- Work Lights (Boom and Tool Box)

ATTACHMENT

- Auxiliary Boom Pipe Brackets
- Boom Work Light
- Bucket Anti-Clatter Device
- Chrome Pins
- Easy Maintenance System (EMS)
- Remote Lube Bank
- Teardrop Pin Retention Keepers

PARTS KIT

- Bucket Anti-Clatter Device
- Engine Manual
- Engine Oil Filter
- Filter Wrench
- Fuel Filters
- Grease Gun
- Green Plug Drain Hose for Engine Oil Drain
- Hydraulic Return Filter
- Ignition Keys
- Pilot Circuit Hydraulic Filter
- Rearview Mirrors
- Work Light for Boom

LONG FRONT OPTIONAL EQUIPMENT

CAB

- 270° WAVES™ Camera System
- Cab Light (2 LED)
- Cab Sun Screen (rear)
- FOPS Head Guard (Level 2)
- Front Guard (Mesh)
- Cab OPG Level 2
- LED Light Kit for Side Camera (1)
- LED Lights for Rear Camera (2)
- Rain Deflector
- SCM Seat with Tilt & Heater

ENGINE

- 85A, 90A Alternator
- Refuel Pump

HYDRAULICS

- Hose Burst Check Valve
- Proportional Hydraulic Controls

AUXILIARY HYDRAULIC OPTIONS

- Single-Acting Aux. w/ Proportional Joysticks
- Multi-Function Aux. w/ Proportional Joysticks
- Multi-Function Aux. w/ in-cab pressure setting control
- Double-Acting Aux. w/ Proportional Joysticks
- Secondary Aux. w/ Proportional Joysticks

UNDERCARRIAGE

- 600 mm (23.5 in) 3-Bar Steel Grousers
- 700 mm (27.5 in) 3-Bar Steel Grousers
- 800 mm (31.5 in) 3-Bar Steel Grousers
- 850 mm (33.5 in) 3-Bar Steel Grousers
- Center Track Guide (triple)

UPPERSTRUCTURE

- Rubber Bumper Guards

ATTACHMENT

- HD Bucket Linkage



X4 Long Front



All Link-Belt X4 Long Fronts are factory-built to help you reach further and dig deeper with confidence. They are designed to deliver power and versatility for sloping, trenching, dredging and cleaning applications. Expect more production from the 350 X4 LF, the only factory-built long reach excavator available in this size range.



ROCK-SOLID WARRANTY COVERAGE

X4 Long Front machines are backed by a 3 year/3,000 hour Full Machine Warranty*; 3 year/5,000 hrs. Powertrain Warranty, 3 year/10,000 hrs. Machine Structures Warranty; 5 year/3,000 hrs. EPA Emissions Warranty, along with participation in the X4 Fluid Analysis Program for the life of the warranty.

**Applies only to 2018 X4 or newer serialized models.*



CUSTOMER SUPPORT IS JUST A CALL AWAY

A network of Link-Belt Excavator dealers across the U.S. and Canada is waiting to serve you. Expect fast and dependable service, backed by 24/7 access to parts.



LBX Company is the proud maker of quality Link-Belt excavators and is located in Lexington, KY.

#LBX2397 Litho in USA 1/19 LBX® and Link-Belt® are registered trademarks. Copyright 2019. All rights reserved. We are constantly improving our products and therefore reserve the right to change designs and specifications.

Link-Belt
EXCAVATORS
www.lbxco.com