

LIGHTNESS
SIMPLICITY
EFFICIENCY

4 SERIES 4



4 - 4D SERIES

70 • 80 • 90 • 95 • 100 • 110
70D • 80D • 90D

Landini

Passion for Innovation.





LANDINI 4 SERIES AND 4D SERIES: DESIGNED TO GROW YOUR EFFICIENCY

Making farm work less hard and more productive was the major goal of company's founder Giovanni Landini. Staying true to his original intent, Landini engineers have designed and developed the **4** and **4D Series**, a range of light utility tractors that really makes a difference to farm productivity in terms of comfort, lightweight and efficiency.

Available in both cab and ROPS versions, the Landini **4** and **4D Series** are designed to meet the needs of small- and mid-sized farms for reliable and versatile tractors offering good value for money. The **4** and **4D Series** tractors allow farmers to perform most of their activities in-house, thereby reducing the use of agricultural contractors. Thanks to their extraordinary versatility, the **4** and **4D Series** provide excellent stability during ploughing, tillage and harrowing, making them ideally suited for seedbed preparation activities. They also offer unmatched manoeuvrability for orchard work and haymaking and excellent all-round visibility for loader operations. Furthermore, their compact size and agility in tight corners make them ideal for use inside stables and on steep hills and banks, as well as for road transport. All these qualities turn the Landini **4** and **4D Series** tractors into productivity champions.

4 4D

HIGHLIGHTS

Cab

- Total View Slim cab: transparent roof hatch for maximum visibility, ergonomic controls and high-grade fit and finish
- Driver's seat with optional air suspension
- Flat-deck platform for maximum working comfort
- Low-profile cab roof for easy access to low-ceiling barns and sheds
- In-cab battery cut-off switch

Transmission

- Speed Four 12FWD+12REV, with creeper 16FWD+16REV
- Power Four with Hi-Lo Powershift 24FWD+24REV, with creeper 32FWD+32REV

Axles

- Rigid-mounted front axle with full locking differential and electrohydraulic four-wheel drive engagement
- Rigid-mounted front axle with limited slip differential lock

Hydraulic system

- Open-centre hydraulic system with 57 l/min flow rate
- Rear hitch with up to 3900 kg lift capacity
- Rear 2-speed PTO plus ground speed PTO
- Up to 3 rear- and 2 mid-mounted remote valves
- Front hitch and PTO

Engine

- Deutz TCD 3.6L engine delivering up to 107 hp
- Deutz TCD 2.9L engine delivering up to 88 hp
- Exhaust gas after-treatment with EGR/DOC system to meet Stage 3B/Tier 4 Interim/Tier 4 Final emissions regulations

The strong point of the **4 Series** is the innovative Total View Slim cab that's been designed according to automotive industry standards to ensure maximum operator comfort. Cab key features include a slim roof with a transparent hatch for maximum visibility, a flat-deck platform, an efficient climate control system and high-grade fit and finish. All controls are ergonomically-designed and logically arranged to allow simple and intuitive control of key tractor functions including the new 12/12 transmission with de-clutch control, Power Four Hi-Lo splitter, power shuttle and creeper.

The range comprises six **4 Series** models ranging in power from 70 to 107 hp and three **4D Series** models from 70 to 90 hp.

Key features of the Landini **4 Series** include:

- A specially-built transmission;
- A four-wheel drive front axle with optional integral braking system;
- A choice of two wheelbases: 2230 mm for the three most powerful models and 2100 mm for the others;
- A mechanical or electronic rear hitch with 3900 kg lift capacity for the three most powerful models and 3400 kg lift capacity for the others;
- A front hitch with 1750 kg lift capacity;
- A high-flow hydraulic system providing up to 57 l/min flow rate.

The Landini name is traditionally associated with innovation. When you choose Landini, you are choosing a brand that stands worldwide for efficiency, productivity and comfort.

4 SERIES



4D SERIES





EXHAUST SYSTEM

Emissions under control
page 29



CAB

Perfect visibility
and first-class comfort
page 6



ENGINE

A new heart
page 26



FRONT AXLE

For unmatched manoeuvrability
page 12



HYRAULIC SYSTEM

Innovative, for maximum
configuration flexibility
page 14



TRANSMISSION

Versatile and tailored
to suit every need
page 10



COMFORT



*The cab of the **4 Series** gives you a full all-round view. And everything inside is comfortable and within easy reach. So I can work all day long without feeling tired.*

George

TOTAL VIEW SLIM, THE CAB THAT SIMPLIFIES YOUR WORK

Designed to offer the operator maximum comfort and ease of use, the Total View Slim cab provides a spacious environment with a flat-deck platform and efficient sound insulation that make long working days in the field less tiring and stressful.

A high-quality automotive-grade fit and finish, a steering wheel that tilts with the instrument panel and ergonomically-arranged controls further enhance the operator comfort. The climate control system, conveniently built into the low-profile cab roof, maintains a comfortable working environment whatever the outdoor weather conditions. The air-conditioner filters are fitted onto the rear posts to allow for quick and easy cleaning. Featuring a large glazed area and high-visibility mirrors on both sides, the cab of the **4 Series** tractor range provides unobstructed all-round view for

HIGHLIGHTS

- Total View Slim cab: transparent roof hatch for maximum visibility, ergonomic controls and high-grade fit and finish
- Driver's seat with optional air suspension
- Flat-deck platform for maximum working comfort
- Low-profile cab roof for easy access to low-ceiling barns and sheds
- In-cab battery cut-off switch



easy manoeuvring in tight spots, while the transparent roof hatch provides extra visibility for front loader operations. The Total View Slim cab meets FOPS (Falling Objects Protecting Structure) safety standards for the use of front-end loaders. The cab is also available with rear narrow fenders which, combined with a suitable tyre size, allow the **4 Series** tractor to achieve a minimum width of only 1750 mm, making it ideal for working between tight orchard and vineyard rows.

DRIVER SEAT AND HIDE-AWAY BUDDY SEAT

Large and comfortable, the driver seat is ergonomically designed and features either a mechanical or air suspension system that can be adjusted to suit the driver's weight. Passengers can also travel in comfort thanks to an upholstered buddy seat, which neatly folds away to allow easier access to the cab.



ACCESS TO DRIVING POSITION

Wide, sturdy access steps and handrails fitted to the cab posts and to the doors allow operators to safely climb up and down the tractor.

Fully glazed rear-hinged doors provide easy access to the driving position.





INSTRUMENT PANEL AND STEERING WHEEL

The **4 Series** features a telescopic, tilt-adjustable steering wheel. The instrument panel, which tilts with the steering column, features intuitive, easy-to-use digital and analog instruments for easy monitoring of tractor functions.



CLIMATE CONTROL SYSTEM

A highly-efficient heating, ventilation and air conditioning system integrated into the cab roof maintains the desired cab temperature whatever the outdoor weather conditions. The climate control system relies on rear air vents to distribute the conditioned air evenly throughout the cab without exposing the operator to direct air flow. Natural ventilation is ensured by the openable front and rear windscreens and by the tilting roof hatch.

PLATFORM VERSION WITH ROPS

Designed to offer a high level of comfort, the platform version of the **4 Series** tractor is iso-mounted to minimize vibrations. The driving position features a flat floor and all controls are ergonomically arranged and user-friendly. For added driver protection, the platform is equipped with a two-post ROPS that can be folded down to allow the tractor to easily move under low-hanging canopies or between narrow orchard and vineyard rows.



PLAT

HIGHLIGHTS

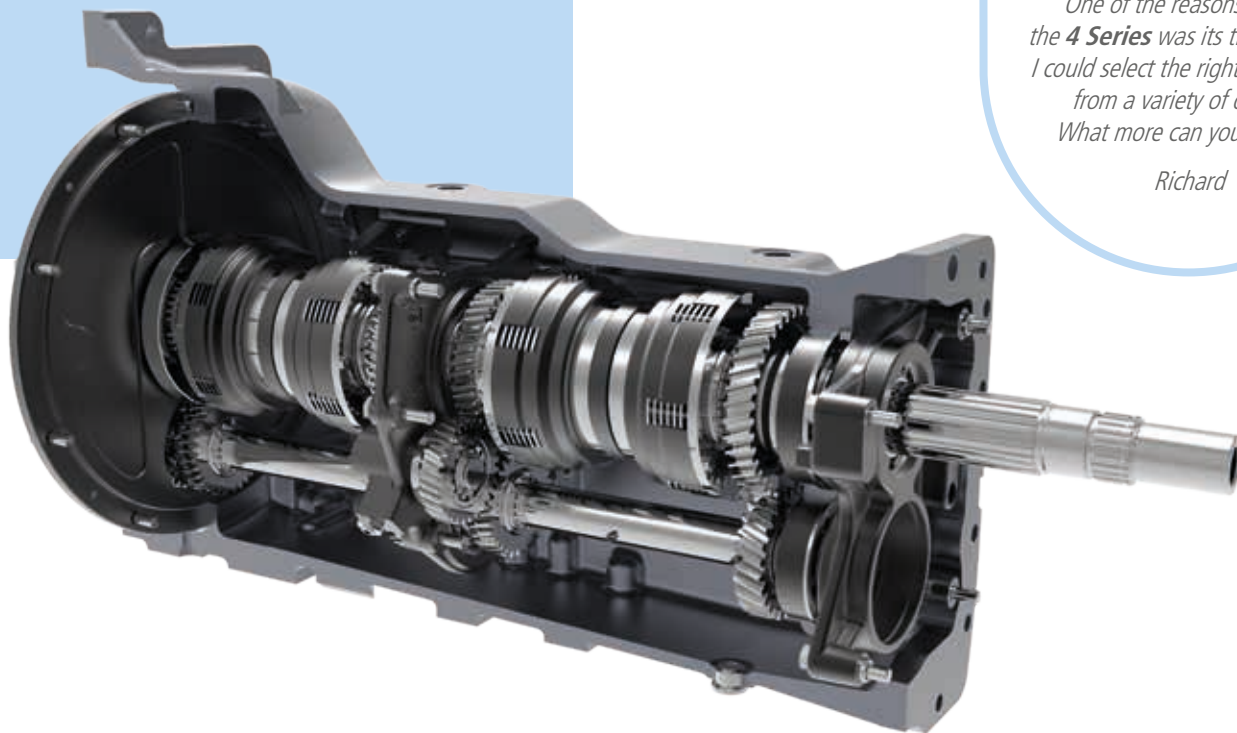
- Speed Four 12FWD + 12REV with creeper 16FWD + 16REV
- Power Four with Hi-Lo splitter 24FWD + 24REV, with creeper 32FWD+ 32REV

LANDINI TRANSMISSION, VERSATILE LIKE NO OTHER

True to its tradition of technological innovation, Landini has developed a highly-versatile tractor with a variety of transmission options to offer farmers a wider choice of gear configurations. Options available range from a Speed Four 12/12 synchro shuttle transmission to an electrohydraulic 32/32 Hi-Lo powershift with power shuttle and creeper.

Up to eight different configurations are offered:

1. Speed Four with 16FWD + 16REV gears, synchro shuttle and creeper, 30 km/h top speed, 2WD.
2. Speed Four with 16FWD + 16REV gears, power shuttle and creeper, 30 km/h top speed, 2WD.
3. Speed Four with 12FWD + 12REV gears, synchro shuttle, 40 km/h top speed, 4WD.
4. Speed Four with 16FWD + 16REV gears, synchro shuttle and creeper, 40 km/h top speed, 4WD.
5. Speed Four with 16FWD + 16REV gears, power shuttle and creeper, 40 km/h top speed, 4WD.
6. Power Four with 24FWD + 24REV gears, Hi-Lo splitter and synchro shuttle, 40 km/h top speed, 4WD.
7. Power Four with 24FWD + 24REV gears, Hi-Lo splitter, power shuttle, 40 km/h top speed, 4WD.
8. Power Four with 32FWD + 32REV gears, Hi-Lo splitter, power shuttle and creeper, 40 km/h top speed, 4WD.



*One of the reasons I chose the **4 Series** was its transmission. I could select the right one for me from a variety of options. What more can you ask for?*

Richard



PARK LOCK: SAFETY GUARANTEED

The power shuttle transmission can be optionally equipped with Park Lock, a mechanical locking device which locks the transmission for added safety when parking the tractor on steep inclines.

SPEED FOUR TRANSMISSION

The Speed Four transmission with four synchronized speeds and three ranges offers 12 forward and 12 reverse gears with a top speed of 30 km/h for the 2WD version and 40 km/h for the 4WD version. The creep speed unit provides a total of 16 forward and 16 reverse gears with speeds as low as 300 m/h. The Speed Four transmission can be specified with either a synchro or power shuttle with control lever adjacent to the steering wheel.

POWER FOUR ELECTROHYDRAULIC TRANSMISSION

Extremely reliable, the Power Four electrohydraulic Hi-Lo transmission doubles the gears of the basic transmission providing 24 forward and 24 reverse speeds. The creep speed option further increases the number of available speeds to 32 forward and 32 reverse. The Power Four transmission can be specified with either a synchro or power shuttle with control lever adjacent to the steering wheel. In addition, a De-clutch control function allows the operator to shift through all gears without using the clutch pedal.



THE LANDINI 4 SERIES BOOSTS YOUR PRODUCTIVITY

*With the **4 Series** I finally said
goodbye to soil compaction.
Problem solved. Plus, the tractor
is so easy to drive.
It's just what I wanted!*

Samuel

The **4 Series** offers best-in-class traction and manoeuvrability ensuring optimum grip and stability on all terrains for maximum ride comfort. The rugged front axle is equipped with full locking differential and electro-hydraulic four-wheel drive engagement. This ensures maximum efficiency and safety in any condition, including when working with a front hitch or a front loader. The rear axle is sturdy and reliable. Combining wide front axle oscillation and excellent ground clearance with a steering angle of 55 degrees, the **4 Series** tractor provides outstanding manoeuvrability in any situation. In addition, the hydrostatic drive delivers smooth steering control even at low engine rpm. All 2.9L models come standard with limited slip differential lock.

HIGHLIGHTS

- Rigid-mounted front axle with full locking differential and electro-hydraulic four-wheel drive engagement
- Rigid-mounted front axle with limited-slip differential lock



INTEGRATED BRAKE SYSTEM (IBS)

The IBS braking system with front and rear wet disc brakes integrated into the front axle provides efficient braking on all four wheels. The system reduces stopping distances by 50% ensuring maximum safety on the road. When the front and rear brakes are activated, they produce a braking force proportional to the foot pressure applied on the brake pedal, thereby ensuring safe, controlled stopping power in any situation. Integrated with the hydraulic or pneumatic trailer braking systems, the IBS system will ensure efficient braking of tractor-trailer combination for safe stopping on steep slopes.





VERSATILITY

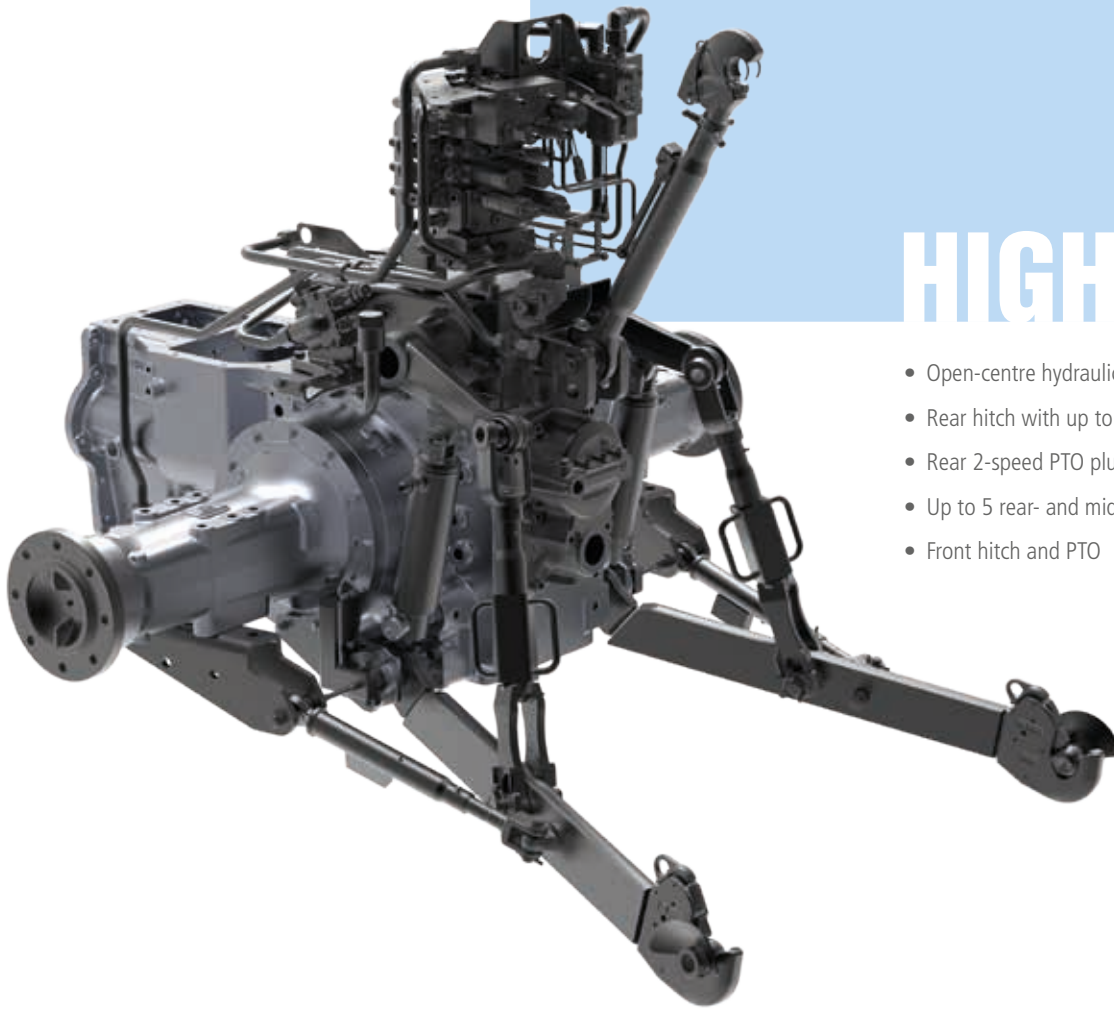


*My dealer configured my **4 Series** with a hydraulic system suited to my specific needs. I also purchased a new Landini front loader. All jobs seem to be easier now.*

Matthew

THE HYDRAULIC SYSTEM THAT TURNS VERSATILITY INTO PRODUCTIVITY

The **4 Series** tractor range is completely customizable to suit each farmer's specific needs. Thanks to its versatility, it can be simultaneously fitted with either a mechanically- or electronically-operated rear hitch as well as with a front hitch and PTO or a front loader for enhanced productivity.



HIGHLIGHTS

- Open-centre hydraulic system with 57 l/min flow rate
- Rear hitch with up to 3900 kg lift capacity
- Rear 2-speed PTO plus ground speed PTO
- Up to 5 rear- and mid-mounted remote valves
- Front hitch and PTO

UNIQUE PERFORMANCE WITH THE MECHANICAL HITCH

The **4 Series** model comes standard with a rugged mechanically-operated hydraulic rear hitch that guarantees precise implement operation. The hitch is equipped standard with drop rate control and transport lock for road travel.

The tractor can be optionally equipped with external hitch controls on the rear fenders making it easier to attach implements from the ground. Also available as an option is the Ergonomic Lift System (ELS) which allows the operator to raise and lower the hitch by the simple click of a button. This makes for quicker headland turns, resulting in reduced working time and increased fuel economy.

On the three higher-power models, the three-point hitch Category II is equipped with twin assistor rams and lifts up to 3900 kg, while the other models have only one assistor ram and a maximum lift capacity of 3400 kg.



ELECTRONIC REAR HITCH

The three most powerful models – the 4-095, 4-100 and 4-110 – can be optionally equipped with an electronically-controlled rear hitch. This features ergonomically-designed intuitive controls that allow for comfortable operation and precise implement control. External hitch controls are located on the rear fenders making it easier to attach implements from the ground.

TWO-SPEED PTO

The rear PTO offers two speeds: 540/540E rpm or, optionally, 540/1000 rpm. On the models with synchro shuttle transmission, the PTO is operated by a power-assisted control device, while on the power shuttle models it is electro-hydraulically operated. In either case, a pushbutton enables smooth and modulated engagement of the PTO, ensuring a soft start-up of the implement. A ground speed PTO is also available on request.

AUTO PTO FUNCTION

On the versions with electronically-controlled rear hitch, an Auto PTO feature will automatically disengage and reengage the PTO at three-point linkage heights set by the operator. This gives the operator precise control of the implement during headland turns.





HIGH-PERFORMANCE HYDRAULIC SYSTEM

The hydraulic system of the **4 Series** range features two pumps that provide a standard flow rate of 32 + 44 l/min. One pump supplies oil to the steering system ensuring smooth and precise turning in any conditions for enhanced operator comfort and productivity. The other pump operates all hydraulic functions. A high-flow hydraulic system with dual pump providing a flow rate of 32 + 57 l/m is available as an option. The 2.9L models feature a dual pump with 28 + 49 l/min that covers most application needs. To further enhance the tractor hydraulic performance, the **4 Series** range comes standard with pressure-free return line to oil tank. This solution prevents oil overheating doing away with the need for continuous flow rate adjustment, and eliminates backpressure, thereby optimising implement operation and enabling the use of latest-generation attachments.



CUSTOM-BUILT REMOTE VALVES

The **4 Series** can be equipped with up to five remote valves, three rear-mounted and two mid-mounted. The mid-mount remotes, operated by a joystick, allow the use of a front hitch or an L Series front loader. Four types of remote valves are available that can be used in combination to suit different application needs:

- **Standard**: double-acting;
- **Kick-out**: with automatic detent release;
- **Float**: for implements that follow the contour of the ground;
- **Hydraulic motor**: for the use of hydraulic motors.



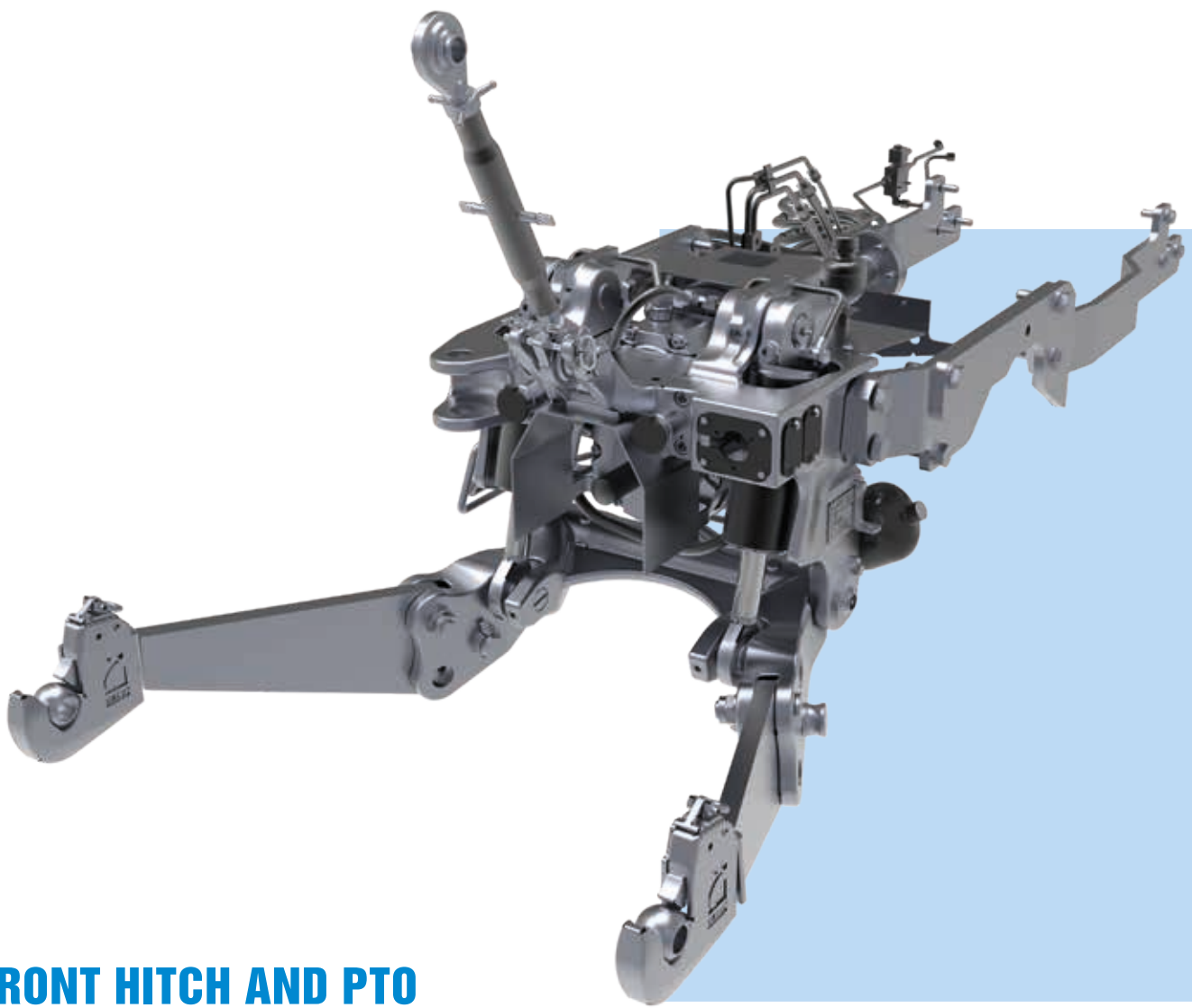
Each option allows the tractor to work with a variety of implements for maximum efficiency and productivity. Ergonomically-arranged high-quality quick-release couplings allow quick connection/disconnection of hydraulic lines for fast operation.



LANDINI L SERIES FRONT LOADERS: BUILT FOR POWER AND VERSATILITY

Designed to be integrated into the **4 Series** tractor range, the Landini L60 and L80 front loaders are built from HLE (High Limit Elasticity) steel, a material capable of withstanding high loads thanks to its mechanical properties. The main strong points of the L serie front loaders are:

- Hydraulic lines hidden inside the loader arms to ensure unobstructed view during operation;
- The piping of the hydraulic system is rigid to reduce oil overheating during intensive use and to simplify maintenance operations;
- A position indicator allows operator to quickly determine implement position;
- Used in combination with a Euro Hitch tool carrier, the loader can be fitted with a wide range of implements;
- Maximum lift capacity is 1240 kg for the L60 and 1810 kg for the L80;



FRONT HITCH AND PTO

A front hitch and PTO are available as an option to add greater versatility to the **4 Series** tractor for applications using rear- and front-mounted implement combinations. Offering a maximum lift capacity of 1750 kg, the front hitch is Category II and

features raise/lower and float controls. The 1000-rpm PTO is engaged via a pushbutton. External PTO and hitch controls are also located on the rear fenders making it easier to attach implements from the ground.

- The loader features a suspension with two nitrogen-charged accumulators placed between the cylinders that ensures a smooth ride at all times;
- Innovative supports make fitting and removal of the front loader easier;
- The L serie front loaders can be used even when the tractor is equipped with a front-mounted hitch.

Thanks to a conveniently placed joystick and a high-visibility transparent roof hatch, the operator can comfortably sit in the driving position while working with the loader fully raised. Designed to be the perfect match for the **4 Series** tractor, the L Series front loader delivers maximum productivity in any application.



AFFORDABILITY





LANDINI 4D SERIES: COMFORTABLE, FUNCTIONAL, AFFORDABLE

Designed to offer great value for money, the **4D Series** is the entry-level version of the **4 Series** range. Extremely versatile, the **4D Series** is ideal to perform a wide variety of tasks such as seedbed preparation, haymaking, orchard activities and transport applications. Rugged and reliable, the Landini **4D Series** is the best value tractor in its class.

With its cutting-edge design and its roomy iso-mounted driving position with flat transmission tunnel, the **4D Series** tractor series stands out for style and comfort. The ergonomically-designed, intuitive digital instrument panel is the same as on the **4 Series** range. The **4D Series** features a folding two-post ROPS to allow operation in low-clearance areas. The three models in the range – the 4-070D, 4-080D and 4-090D – are available in 4WD version and are powered by modern Tier 4 Final Deutz engines that feature low noise levels for enhanced operator comfort. Designed and developed by Argo Tractors, the Speed Four synchro shuttle transmission features four synchronized speeds and three ranges providing 12 forward and 12 reverse gears. A creep speed option offers 16 forward and 16 reverse gears with speeds as low as 300 m/h.

HIGHLIGHTS

- Engine meeting Tier 4 Final emissions regulations
- Exhaust gas recirculation system (EGR) combined with diesel oxidation catalyst (DOC)
- 4-cylinder turbocharged engine with intercooler and electronic common rail injection system
- Simple maintenance of engine and radiator
- Speed Four modular transmission with synchro shuttle providing 12 or 16 speeds
- Front axle with electrohydraulic four-wheel drive engagement
- Mechanical rear hitch with up to 3400 kg lift capacity
- Ergonomic Lift System for maximum comfort and ease of operation
- Wide choice of hydraulic remote valves, up to 5 for cabbled models

Additional key features of the **4D Series** include:

- Electrohydraulic engagement of the fourwheel drive with mechanical differential lock on the rear axle and a limited slip differential on the front axle.
- The four-wheel drive engages automatically on braking ensuring efficient braking on all four wheels.
- The open-centre hydraulic system delivers a flow rate of 45 l/min to operate the hitch and two remote valves.
- The rear hitch with one assistor ram offers a maximum lift capacity of 3400 kg and can be optionally equipped with Ergonomic Lift System for more comfortable implement operation.
- The **4D Series** tractor comes with a mechanically-operated PTO offering a choice of one or two speeds. A ground speed PTO is available as an option.

In addition to the ROPS version, the **4D Series** is also available with a four-post cab. The Total View cab features ergonomically-designed controls, in-cab battery cut-off switch, climate control, openable front and rear wind-screens, transparent roof hatch and four working lights on the roof. The Total View meets FOPS (Falling Objects Protecting Structure) safety standards for the use of front-end loaders.



CAB



MORE COMFORT WITH POWER-ASSISTED PTO SHIFTING

A power-assisted control enables smooth and modulated engagement of the rear PTO, ensuring a soft start-up of the implement. The PTO offers three speeds: 540 rpm, 540/540E rpm or 540/1000 rpm. A ground speed PTO is also available on request.

SPEED FOUR TRANSMISSION

The Speed Four synchro shuttle transmission offers four synchronized speeds and three ranges providing 12 forward and 12 reverse gears with a top speed of 40 km/h for the 4WD version. The creep speed unit, available as an option, provides a total of 16 forward and 16 reverse gears with speeds as low as 300 m/h. The gear shift levers are ergonomically positioned for maximum driving comfort and ease of operation.

ROOMY AND COMFORTABLE DRIVING POSITION

The iso-mounted platform with large, wrap-around fenders offers a spacious driving position with a fully adjustable sprung seat. The hydraulic steering, the adjustable steering wheel and the gear levers ergonomically arranged on the driver's side maximise the ride comfort. The two-post ROPS folds down to fit in low-clearance. Optionally, the tractor can be equipped with a four-post Total View cab.

INSTRUMENT PANEL AND STEERING WHEEL

Stylish and well-lighted, the new instrument panel of the **4D Series** features the same digital instruments as the **4 Series** model. The steering wheel is adjustable in tilt angle via a conveniently positioned foot pedal.



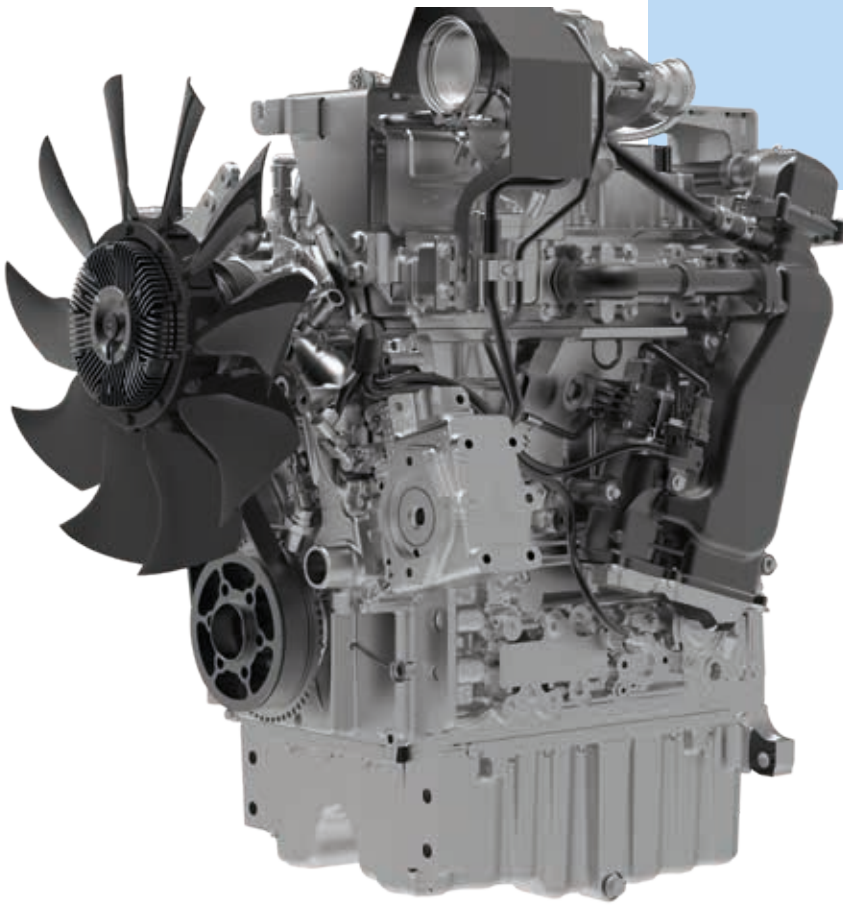


INNOVATION



NEW DEUTZ TCD ENGINES: HIGH PERFORMANCE, LOWER CONSUMPTION

Both the 4 and **4D Series** tractor series are powered by new Deutz TCD L4 3.6L and 2.9L four-cylinder turbo engines with multivalve technology and common rail injection system. These new engines provide more power, higher torque backup and better fuel economy. The nine models in the range offer power ratings from 70 to 107 hp at 2000 rpm.



HIGHLIGHTS

- Deutz TCD 3.6L engine delivering up to 107 hp
- Deutz TCD 2.9L engine delivering up to 88 hp
- Exhaust gas after-treatment with EGR/DOC system to meet Stage 3B/Tier 4 Interim/Tier 4 Final emissions regulations

All models feature high-capacity fuel tanks – 90L and 120L for the **4 Series** and 80L for the **4D Series** – ensuring extended operation without refuelling. The absence of an exhaust gas regeneration system and the presence of the Engine Memo Switch system, which allows operator to store and recall the ideal engine rpm for the implement used, contribute to significantly improving fuel economy.

The engine of my new 4 Series uses little fuel; it doesn't pollute and is simple and quick to maintain. It's a little jewel!

Andrew

4 SERIES	DISPLACEMENT (L)	MAX. POWER (HP/KW)
4-110	3,6	107 / 78,5
4-100	3,6	99 / 73
4-095	3,6	90 / 66
4-090	2,9	88,4 / 65
4-080	2,9	75,2 / 55,3
4-070	2,9	70,1 / 51,5

4D SERIES	DISPLACEMENT (L)	MAX. POWER (HP/KW)
4-090D	2,9	88,4 / 65
4-080D	2,9	75,2 / 55,3
4-070D	2,9	70,1 / 51,5



EGR/DOC SYSTEM, TO REDUCE EXHAUST EMISSIONS

An innovative exhaust gas recirculation system (EGR), combined with a diesel oxidation catalyst (DOC), eliminates the exhaust gas regeneration process, allowing the new Deutz TCD engines to meet Stage 3B/Tier 4 Interim/Tier 4 Final emission regulations without using a diesel particulate filter (DPF). This results in increased uptime and improved fuel economy.



LANDINI SPARE PARTS AND SERVICE, TO GIVE YOU THE BEST ALWAYS

Landini is worldwide recognized as a reliable supplier of high-quality spare parts and after-sales services. Developed by the same engineers who design and manufacture the Landini tractors, genuine Landini parts are designed and manufactured to the highest quality standards to ensure tractors reliable performance and maximum safety.

The pluses of Landini's after-sales service include:

- Spare parts are delivered promptly and efficiently to Landini's dealers on the same day of order.
- Each part comes with a 12-month warranty and bears a non-falsifiable hologram which certifies its build quality and genuineness.
- Original Landini parts are reliable and convenient, as they enhance the working quality and efficiency of the 6H Series tractors.

The after-sales service is handled by our dealers through a team of highly-skilled, solution-oriented technicians who avail themselves of the latest diagnostic techniques. Choosing Landini means choosing excellence.



LANDINI, A LONG HISTORY OF SUCCESS

Giovanni Landini had a dream: to change forever the history of farming by bringing the power of machines into the fields. He pursued his goal with great determination and, in 1884, he finally realised his dream by founding the Landini company. Landini's long history is marked by continued innovation in design and production processes and by a strong commitment to customers. The simplicity and reliability that have always been the hallmarks of Landini tractors are perfectly combined in the company's utility range. In 1973, Landini launches the 5500, 6500, 7500 and 8500 series of utility tractors equipped with an innovative 12/4 transmission. In 1977, the company introduces the Large series, the first tractor range in Europe to be equipped with iso-mounted platform and to exceed 100 hp.

In 1994, Landini was acquired by the Argo Industrial Group. The acquisition enabled the company to expand its international presence by creating a worldwide network of subsidiaries and distributors. Giovanni Landini's dream was to make farm work less tiring and more productive. That dream is still alive today, since our quality of life is closely linked to the quality of agricultural production.

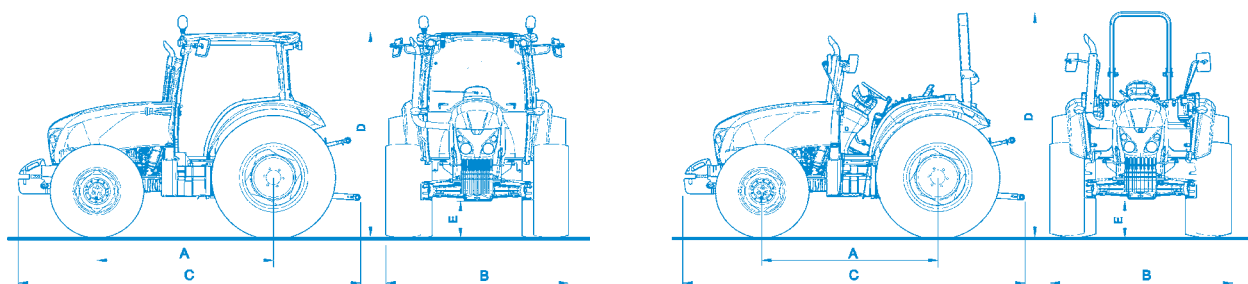
TECHNICAL DATA

		4-070	4-080	4-090	4-095	4-100	4-110
ENGINE							
TYPE		DEUTZ C4DT45 TIER4 FINAL	DEUTZ C4DT50 TIER4 FINAL	DEUTZ C4DT55 TIER4i	DEUTZ C4DT62 TIER 4i	DEUTZ C4DT69 TIER 4i	DEUTZ C4DT74 TIER 4i
MAX POWER ISO	HP/KW	69.5 / 51	75.2 / 55	88.4 / 65	90 / 66	99 / 73	107 / 78.5
RATED POWER ISO	HP/KW	68 / 50	75.2 / 55	78.9 / 58	85 / 62.5	94.5 / 69.5	101 / 74.4
RATED ENGINE SPEED	RPM	2200	2200	2200	2200	2200	2200
MAX TORQUE	NM	272	375	378	358	397	420
MAX TORQUE SPEED	RPM	1600	1600	1600	1600	1600	1600
BORE / STROKE	MM	92x110	92x110	92x110	98x120	98x120	98x120
DISPLACEMENT / CYLINDERS	CM ³	2900 / 4 TA	2900 / 4 TA	2900 / 4 TA	3600 / 4 TA	3600 / 4 TA	3600 / 4 TA
FUEL TANK CAPACITY	L	90	90	90	120	120	120
CLUTCH							
SINGLE-PLATE DRY CLUTCH	IN(MM)	11 / (280)	11 / (280)	11 / (280)	12 / (304.8)	12 / (304.8)	12 / (304.8)
MECHANICAL ENGAGEMENT		●	●	●	●	●	●
MULTI-DISC WET CLUTCH		○	○	○	○	○	○
DE-CLUTH CONTROL: BUTTON-OPERATED CLUTCH		○	○	○	○	○	○
TRASMISSIONE							
SPEED FOUR + SYNCHRO SHUTTLE + CREEPER: 16FWD + 16REV 30 KM/H (2WD)		●	●	●	●	●	●
SPEED FOUR + SYNCHRO SHUTTLE: 12FWD + 12REV 40 KM/H		●	●	●	●	●	●
SPEED FOUR + SYNCHRO SHUTTLE + CREEPER: 16FWD + 16REV 40 KM/H		○	○	○	○	○	○
SPEED FOUR + SYNCHRO SHUTTLE + POWER FOUR : 24FWD + 24REV 40 KM/H		–	–	–	○	○	○
SPEED FOUR + SYNCHRO SHUTTLE + POWER FOUR + CREEPER : 32FWD + 32REV 40 KM/H		–	–	–	○	○	○
SPEED FOUR + POWER SHUTTLE: 12FWD + 12REV 40 KM/H		○	○	○	○	○	○
SPEED FOUR + POWER SHUTTLE + POWER FOUR: 24FWD + 24REV 40 KM/H		○	○	○	○	○	○
SPEED FOUR + POWER SHUTTLE + POWER FOUR + CREEPER: 32FWD + 32REV 40 KM/H		○	○	○	○	○	○
EXO FORTY (40 KM/H AT REDUCED ENGINE RPM)		–	–	–	○	○	○
PARK LOCK		○	○	○	○	○	○
SHUTTLE MODULATION CONTROL: ADJUSTMENT OF POWER SHUTTLE RESPONSE		○	○	○	○	○	○
ELECTROHYDRAULIC REAR DIFFERENTIAL LOCK		○	○	○	●	●	●
MECHANICAL REAR DIFFERENTIAL LOCK		●	●	●	–	–	–
POWER TAKE-OFF							
POWER-ASSISTED MECHANICAL ENGAGEMENT		●	●	●	●	●	●
ELECTROHYDRAULIC ENGAGEMENT (ONLY WITH POWER SHUTTLE)		○	○	○	○	○	○
2 SPEEDS: 540/1000 RPM		○	○	○	○	○	○
2 SPEEDS: 540/540E RPM		●	●	●	●	●	●
GROUND SPEED PTO		○	○	○	○	○	○
FRONT 4WD AXLE							
ELECTROHYDRAULIC 4WD ENGAGEMENT		●	●	●	●	●	●
MAX. STEERING ANGLE		55°	55°	55°	55°	55°	55°
LIMITED SLIP DIFFERENTIAL LOCK		●	●	●	–	–	–
TWIN-LOCK ELECTROHYDRAULIC DIFFERENTIAL LOCK		○	○	○	○	○	○
BRAKING SYSTEM							
HYDROSTATICALLY-OPERATED ANNULAR PISTON BRAKES		●	●	●	●	●	●
AUTOMATIC 4WD ENGAGEMENT ON BRAKING		●	●	●	●	●	●
WET MULTI-DISK FRONT BRAKES		○	○	○	○	○	○

4 SERIES

		4-070	4-080	4-090	4-095	4-100	4-110
HYDRAULIC HITCH							
MECHANICALLY-CONTROLLED REAR HITCH		●	●	●	●	●	●
ELECTRONICALLY-CONTROLLED REAR HITCH		–	–	–	○	○	○
STANDARD LIFT CAPACITY	KG	2700	2700	2700	2700	2700	2700
LIFT CAPACITY WITH ASSISTOR RAMS	KG	3400 (1 RAM)	3400 (1 RAM)	3400 (1 RAM)	3900 (2 RAMS)	3900 (2 RAMS)	3900 (2 RAMS)
FRONT HITCH AND PTO (MAX LIFT CAPACITY)	KG	–	–	–	1750 ○	1750 ○	1750 ○
HYDRAULIC SYSTEM							
PUMP FLOW RATE (HITCH+STEERING)	L/MIN	49 + 28	49 + 28	49 + 28	44 + 32	44 + 32	44 + 32
HIGH-FLOW PUMP RATE (HITCH+STEERING)	L/MIN	–	–	–	57+32	57+32	57+32
HYDRAULIC ADJUSTMENT RIGHT LIFTING ROD / TOP LINK		○	○	○	○	○	○
REMOTE VALVES STD / OPT		2 / 3	2 / 3	2 / 3	2 / 3	2 / 3	2 / 3
REMOTE VALVE WITH 2-WAY SELECTOR		○	○	○	○	○	○
MID-MOUNTED REMOTES WITH JOYSTICK CONTROL		2	2	2	2	2	2
CAB AND DRIVING POSITION							
TOTAL VIEW SLIM CAB		●	●	●	●	●	●
AIR-CONDITIONING		○	○	○	○	○	○
DIMENSIONS AND WEIGHTS							
A - WHEELBASE	MM	2100	2100	2100	2230	2230	2230
B - MIN WIDTH	MM	1750	1750	1750	1750	1750	1750
C - TOTAL LENGTH WITH BALLAST WEIGHTS	MM	4182	4182	4182	4321	4321	4321
D - HEIGHT OVER CAB	MM	2447-2497	2447-2497	2447-2497	2507-2582	2507-2582	2507-2582
E - MAX GROUND CLEARANCE	MM	350-400	350-400	350-400	375-450	375-450	375-450
TOTAL WEIGHT WITHOUT BALLAST WEIGHTS (IN RUNNING ORDER) PLAT/CAB	KG	2800 / 3000	2800 / 3000	2800 / 3000	3300 / 3500	3300 / 3500	3300 / 3500

Key: ● standard ○ option – not available



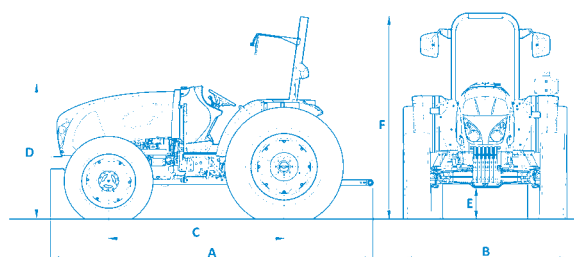
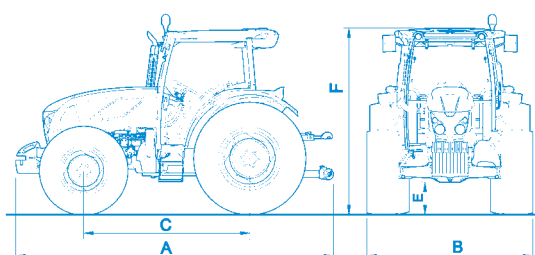
TECHNICAL DATA

		4-070D	4-080D	4-090D
ENGINE				
TYPE		DEUTZ C4DT45 TIER4 FINAL	DEUTZ C4DT50 TIER4 FINAL	DEUTZ C4DT55 TIER4 FINAL
MAX POWER ISO	HP/KW	69.5/51	75.5/55	88.4/65
RATED POWER ISO	HP/KW	68/50	75.2/55	78.9/58
RATED ENGINE SPEED	RPM	2200	2200	2200
MAX TORQUE	NM	272	375	378
MAX TORQUE SPEED	RPM	1600	1600	1600
BORE / STROKE	MM	92x110	92x110	92x110
DISPLACEMENT / CYLINDERS	CM ³	2900 / 4 TA	2900 / 4 TA	2900 / 4 TA
COMPRESSION RATIO		17.2:1	17.2:1	17.2:1
WATER COOLING		●	●	●
AIR FILTER		DRY	DRY	DRY
FUEL TANK CAPACITY	L	80	80	80
CLUTCH				
DRY DUAL CLUTCH	IN(MM)	11 (280)	11 (280)	11 (280)
MECHANICAL ENGAGEMENT		●	●	●
TRANSMISSION				
SPEED FOUR + SYNCHRO SHUTTLE + CREEPER: 16FWD + 16REV 30 KM/H (2WD)		●	●	●
SPEED FOUR + SYNCHRO SHUTTLE: 12FWD + 12REV 40 KM/H		●	●	●
SPEED FOUR + SYNCHRO SHUTTLE + CREEPER: 16FWD + 16REV 40 KM/H		○	○	○
MECHANICAL REAR DIFFERENTIAL LOCK		●	●	●
POWER TAKE-OFF				
MECHANICAL ENGAGEMENT		●	●	●
1 SPEED: 540 RPM		○	○	○
2 SPEEDS: 540/1000 RPM		○	○	○
2 SPEEDS: 540/540E RPM		●	●	●
GROUND SPEED PTO		●	●	●
FRONT 4WD AXLE				
ELECTROHYDRAULIC 4WD ENGAGEMENT		●	●	●
MAX. STEERING ANGLE		55°	55°	55°
LIMITED SLIP DIFFERENTIAL LOCK		●	●	●
BRAKING SYSTEM				
HYDROSTATICALLY-OPERATED ANNULAR PISTON BRAKES		●	●	●
AUTOMATIC 4WD ENGAGEMENT ON BRAKING		●	●	●
HYDRAULIC HITCH				
DRAFT AND POSITION CONTROL		●	●	●
MECHANICALLY-CONTROLLED REAR HITCH		●	●	●
ERGONOMIC LIFT SYSTEM		○	○	○
STANDARD LIFT CAPACITY	KG	2700	2700	2700
LIFT CAPACITY WITH ONE ASSISTOR RAM	KG	3400	3400	3400
PUMP FLOW RATE (HITCH+STEERING)	L/MIN	45 + 20	45 + 20	45 + 20
THREE-POINT HITCH		CAT. 2	CAT. 2	CAT. 2
REAR REMOTE VALVES STD / OPT		1 / 2 / 3 (ONLY CAB)	1 / 2 / 3 (ONLY CAB)	1 / 2 / 3 (ONLY CAB)

4D SERIES

		4-070D	4-080D	4-090D
CAB AND DRIVING POSITION				
ISO-MOUNTED PLATFORM		●	●	●
SPRUNG SEAT		●	●	●
TILT-ADJUSTABLE STEERING WHEEL		●	●	●
DIGITAL INSTRUMENT PANEL		●	●	●
REAR TWO-POST FOLDING ROPS		●	●	●
TOTAL VIEW CAB/ RADIO ADAPTOR		○	○	○
HEATING/VENTILATION		●	●	●
AIR-CONDITIONING		○	○	○
DIMENSIONS AND WEIGHTS				
A - TOTAL LENGTH WITHOUT BALLAST WEIGHTS 2WD/4WD	MM	4316/4275	4316/4275	4316/4275
B - MIN WIDTH	MM	1675	1675	1675
C - WHEELBASE 2WD/4WD	MM	2120/2165	2120/2165	2120/2165
D - HEIGHT TO STEERING WHEEL	MM	1620	1620	1620
E - GROUND CLEARANCE 2WD/4WD	MM	374/208	374/208	374/208
F - HEIGHT OVER ROPS	MM	2517	2517	2517
F - HEIGHT OVER CAB	MM	2500	2500	2500
TOTAL WEIGHT WITH PLATFORM WITHOUT BALLASTS 2WD/4WD + CAB 150 KG	KG	2800/3050	2800/3050	2800/3050

Key: ● standard ○ option – not available





Landini®

Passion for Innovation.

