

RANGE **MT**

7 & 9 meter
compact



Discover the machine in
augmented reality with
your smartphone.

 **MANITOU**
HANDLING YOUR WORLD

Making operators and their environment safe

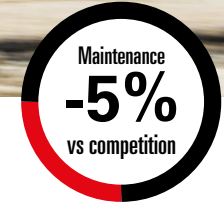
Manitou is committed to designing machines that provide optimum safety for users.

- **Parking brake**
Automatic parking brake with hill-start assist to prevent accidents.
- **Joystick with driver presence detection**
JSM® allows you to control the machine, safely and without fatigue. Equipped with a sensor, it automatically detects the presence of the operator to allow movement and reduces the risk of accidents.
- **Intuitive and intelligent dashboard**
All controls are within easy reach, identified with pictograms and colour codes. The operator is alerted to its maintenance, use and safety by means of prioritised notifications.
- **Access to the driving position**
The access to the cab has been completely redesigned. Ergonomic, step-free, easy access, reducing fatigue and securing the operator against falls.
- **Tilt lock**
Tilt lock for safe handling.
- **Automatic rear axle lock**
Autonomous system, automatically securing handling on slopes without operator intervention.
- **Orange belt**
Visible belt to empower the operator and inform the working environment.

SAFETY PACK

A device that accompanies and protects the driver. The driver is informed in real time of any manoeuvre that may expose him to a risk. It simultaneously warns the teams on site of an operator's inappropriate behaviour and sends the information to the fleet manager. A simple tool for acquiring good reflexes !

Simplified use sheet
Handling videos
Reduce Risks helps you to use our machines safely



Manitou is committed to reducing your total cost of ownership (TCO)

Throughout the project, we take into account your total cost of ownership in order to provide you with a cost-optimised, high-performance machine.

STOP & START

Stop & Start reduces fuel consumption, emissions, time and noise by automatically switching off the engine when the telescopic handler is at a standstill, without operator intervention (automatic restart without turning the key). The hour meter is based on actual working hours, thus spacing out maintenance and significantly increasing the resale value of your machine.



- **Eco mode to reduce your consumption**
The engine speed is optimised while ensuring high performance. Fuel consumption and noise levels are significantly reduced.
- **Quick and easy maintenance**
Centralized lubrication, easy access to maintenance elements, common consumables (filters, etc.) between our products.
- **Pre-positioning Reviv'oil**
Simplified, maintenance-free access to perform your oil dialysis. Increased dialysis intervals, reduced costs and oil wastage.
- **Active and intelligent engine regeneration**
Automatic control of engine fouling. Allows for longer parked regeneration intervals.
- **Hydraulic control of ventilation**
"Fan Drive", hydraulic fan control as standard for optimum engine and transmission cooling.



Connected solution

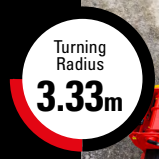
Your telescopic handler has something extra: thanks to connectivity, you can track its position in real time and optimise the operational follow-up of your equipment.

- **View in real time**
Manage your fleet remotely and benefit from a wealth of information about your machines accessible on your PC, tablet or smartphone.
- **Anticipate maintenance**
Save time: share your alerts directly with the technician to anticipate parts and reduce response time.
- **Analyse performance**
View the performance of your connected machines in a graphical format that is easy to follow and interpret.

Protect your equipment and control access
As an option, you can manage driving authorisations and control operator access to your machines to ensure their safety and that of the workplace.

An ultra-compact machine & manoeuvrable

Throughout the project, we integrate your total cost of ownership



You benefit from a compact, easily manoeuvrable machine that helps reduce your TCO !

Ideally suited for construction and renovation
The range has exceptional characteristics in terms of compactness.

With a width and height of 2x2m, it moves easily in tight spaces (material parks, urban or congested construction sites, garage entrances or underground car parks).

9_m Max. working height

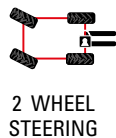
3_t Max. capacity

2x2_m Width Height

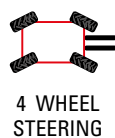
Rear swing axle

Movements
Hydraulic
accumulated

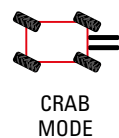
3 steering modes



2 WHEEL STEERING



4 WHEEL STEERING



CRAB MODE

Quick and easy to hang up
With the Manitou carriage, you can change your attachment easily and in seconds.

Quick and easy accessory locking
Safe hanging system for all your handling needs.



Intuitive display
22 languages.



Universal pictograms
For a quick start.

CABIN VISIBILITY



Click here to discover your future cabin

Simplified use sheets
Available in every machine

Robustness of the boom ensured

Cylinder and hoses inside the boom to protect from falling loads.

High shock and vibration resistant cover.

Blocking automatic axle rear
Safe handling on slopes.

Ground clearance
34.5 cm
High off-road performance.

Hydrostatic transmission

The hydrostatic transmission, with gear change on the JSM®, provides flexibility and precision.

The range all terrain

The chassis design, high ground clearance and active rear swing axle ensure excellent handling on off-road terrain and in all weather conditions.

Flexible and secure movement

Hydraulic end-of-stroke dampers ensure precision and allow for the operator to feel safe.

Why choose Compact ?

It all depends on for your sites and applications! The compact range represents an excellent compromise for customers who are constrained by cramped environments and are looking for performance and versatility. The ideal offer to cover your sites from «A to Z», being able to work up to 2 floors.

The perfect combination of profitability, security and reduced TCO !

Reduce transport costs

Optimal dimensions for a safe transport load (LxWxH).

4,67 x 2 x 2 m

SLINGING/STOWING

Lashing and slinging points identified and accessible at the front and rear of the machine.

FOLDING FORKS

Forks can be attached to the deck to save length. Safe road travel.





Performance and versatility at the service of your daily life

Manitou telescopic handlers are true tool carriers on which you can easily attach the Manitou-approved accessory specifically adapted to your application.

	MT 730 H	MT 930 H	MT 930 HA
Max. capacity (kg)	3000	3000	3000
Max. reach (m)	4	6,05	6,05
Max. lifting height (m)	6,9	8,85	8,85
Engine norm	STAGE V	STAGE V	STAGE V
I.C. Engine power rating (kW)	75 ch / 55.4 kW	75 ch / 55.4 kW	75 ch / 55.4 kW
Max. travel speed (km/h)	24,9	24,9	24,9
Transmission	Hydrostatique	Hydrostatique	Hydrostatique
Unladen weight (with forks) (kg)	5880	6550	6550
Overall width (mm)	1990	1990	1990
Overall height (mm)	1997	1997	1997
Overall length to carriage (mm)	4679	4679	4679
Ground Clearance (mm)	350	350	350
Outer turning radius (m)	3.3	3.3	3.3

Floating fork carriage

The essential accessory for handling palletised loads. The forks can be folded for easy transport.



Bucket

This bucket is dedicated to all construction applications for moving bulk materials with a maximum density of 2100kg/m3.



Basket

Simple and safe accessory for lifting up to 3 people or 365kg. Available on MT 930 Access.



Basket for Materials

A cost-effective solution for moving materials safely in all types of applications, environments and weather conditions.



Jib with 2 hooks

2 hooks of 70cm and 2,70m for a good adaptation to all types of building sites.

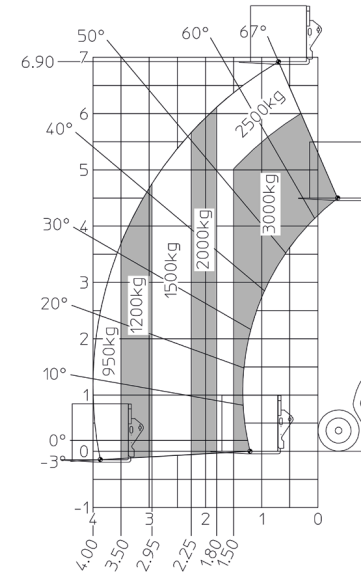


Sweeper

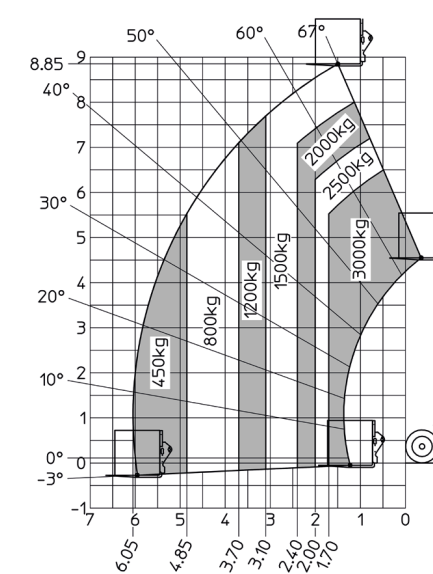
High performance cleaning solution for non-intensive applications. Available with an optional 120 litre water sprayer.



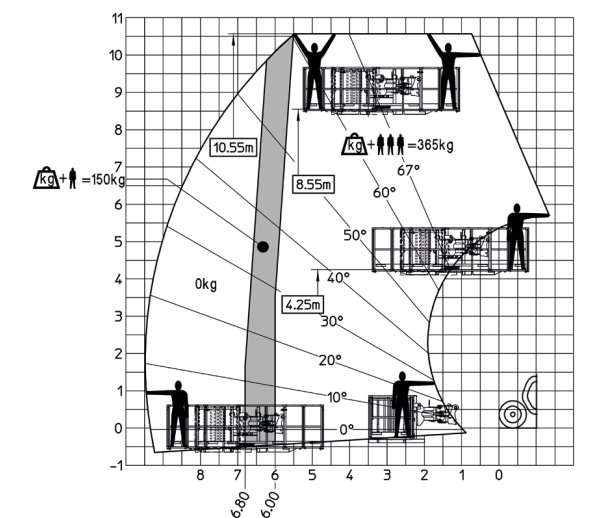
MT 730 H



MT 930 H



MT 930 HA



Compact high capacity bucket
Width 2 meter - 800 litres

Lateral displacement carriage
lateral movement of the forks when placing or removing loads.

ECS : EASY CONNECT SYSTEM
As standard, this system allows the accessory hydraulic line to be decompressed in a matter of seconds, allowing quick and easy replacement of hydraulic accessories.

HYDRAULIC LOCKING
The optional hydraulic lock allows a non-hydraulic attachment to be changed and secured without leaving the machine.

A tailor-made solution adapted to your needs

Discover a wide range of options. To access all the options, ask your Manitou contact for advice.



Compact beacon
Optimise the compactness of your machines.



Non-marking industrial tyres
For use indoors and on hard floors.



35 Km/h version
Boost your performance and travel on the road.

2 possible finishes
Manitou offers two levels of finishes to suit your needs.

Standard

Comfort



As a fleet manager, we measure precisely the TCO and profitability of our equipment. We look for machines that are versatile and safe, and that meet the space constraints of the construction sector.

Your dealer



Scan and discover
more information
on **manitou.com**



This publication describes the versions and configuration possibilities of Manitou products which may differ in equipment. The equipment shown in this brochure may be standard, optional or not available depending on the version. Manitou reserves the right to change the specifications described and shown at any time without notice. The specifications shown are not binding on the manufacturer. For more details, contact your Manitou dealer. Non contractual document. The logos and visuals of the company are the property of Manitou and may not be used without permission. All rights reserved. The photos and diagrams contained in this brochure are provided for reference purposes only. Manitou BF SA - Public limited company with a Board of Directors - Share capital: 39,547,824 euros - 857 802 508 RCS Nantes

©Manitou ©Adobe stock