

# Dynapac CA1300D

## Single drum vibratory rollers

Atlas Copco



### Technical data



#### Masses

Operating mass (incl. ROPS)	4,800 kg
Module mass (front/rear)	2,050/2,750 kg
Max. operating mass	5,300 kg



#### Traction

Speed range (Dual/TC/AS)	0 -6 km/h
Tyre size (8 ply)	12,5-20
Theor. gradeability	55 %
Vertical oscillation	±9°



#### Compaction

Static linear load	13 kg/cm
Nominal amplitude	1.7 mm
Vibration frequency	35 Hz
Centrifugal force	89 kN



#### Engine

Manufacturer/Model	Kubota V 3307 CR-TE4 (Stage IIIB/Tier4)
Type	Water cooled turbo Diesel
Rated power, SAE J1995	55 kW (75 hp ) @ 2,200 rpm
Fuel tank capacity	117 l



#### Hydraulic system

Driving	Axial piston pump with variable displacement. Axial piston motor with constant displacement. Radial piston motor with constant displacement.
Vibration	Gear pump/motor with constant displacement.
Steering	Gear pump with constant displacement.
Service brake	Hydrostatic in forward and reverse lever.
Parking/ Emergency brake	Failsafe multidisc brake in rear axle and front drum motor.

Find us locally at [www.atlascopco.com](http://www.atlascopco.com)

We reserve the right to change specifications without notice. Photos and illustrations do not always show standard versions of machines. The above information is a general description only, all informations are supplied without liability.

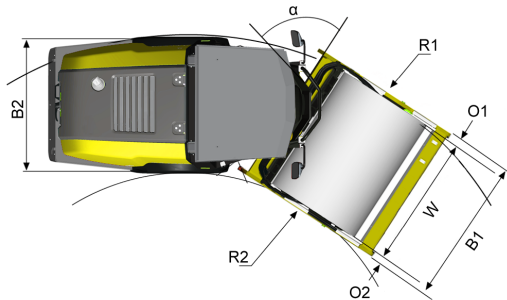
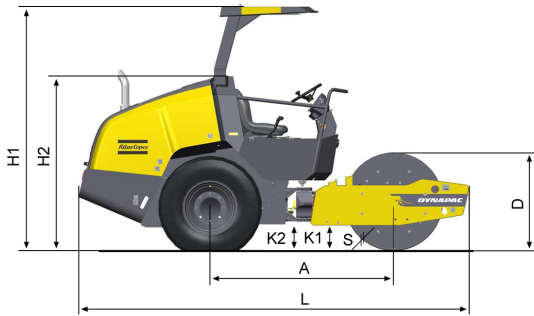
rce\_ca1300d\_en-20140929.083419.pdf 2014-09-29 08:34

# Dynapac CA1300D

## Single drum vibratory rollers

Atlas Copco

### Technical data



Dimensions	
A. Wheelbase	1,860 mm
B1. Width, front	1,495 mm
B2. Width, rear	1,400 mm
D. Drum diameter	1,000 mm
H1. Height, with ROPS/cab	2,530 mm
H2. Height, w/o ROPS/cab	1,820 mm
K1. Ground clearance	260 mm
K2. Curb clearance	260 mm
L. Length	3,950 mm
O1. Overhang, right	62 mm
O2. Overhang, left	62 mm
R1. Turning radius, outside	3,900 mm
R2. Turning radius, inside	2,460 mm
S. Drum shell thickness	22 mm
W. Drum width	1,370 mm
α. Steering angle	±33°



### Service and repair kits

Type of kit	P/N	Serial Number/Additional info
50h service kit	4812159573	Not including oil S/N 10000159X0A000001
500h service kit	4812159484	Not including oil S/N 10000159X0A000001
1000h service kit	4812159486	Not including oil S/N 10000159X0A000001
50h service kit	4812159483	Including oil S/N 10000159X0A000001
500h service kit	4812159485	Including oil S/N 10000159X0A000001
1000h service kit	4812159487	Including oil S/N 10000159X0A000001
2000h service kit	4812159490	Including oil S/N 10000159X0A000001
Service kit	4812159569	Start up kit S/N 10000159X0A000001
Steering hitch kit	4700950156	
Eccentric shaft kit	4700950153	
Drum rotation kit	4700950154	
Shock absorber kit	4812156185	
Bolt-on pad shell kit	4812118047	

Find us locally at [www.atlascopco.com](http://www.atlascopco.com)

We reserve the right to change specifications without notice. Photos and illustrations do not always show standard versions of machines. The above information is a general description only, all informations are supplied without liability.