



Drum mowers

CORTO



CORTO.

Perfectly coordinated – harvesting systems from CLAAS.

If you are out in the fields day after day, you need more than just robust machinery; you need perfectly coordinated technology that is a pleasure to work with, and that keeps going through the hardest working day. And what's more, you need harvesting systems that piece together seamlessly.

As a leading equipment manufacturer of forage harvesting machinery, CLAAS provides the ideal harvesting chain for any farm or business size. Our coordinated machines support you in your day-to-day operations and enable you to achieve optimal results in forage harvesting.





- CORTO**
- Technology 4

- CORTO front mowers** 6
- 3200 F / FN PROFIL 8
- 3100 FC, 290 FN, 270 FN 14

- CORTO rear mowers** 16
- 310 N, 270 N / NC, 210 N, 185 N 18

- Harvest quality 22

- CLAAS Service & Parts 24

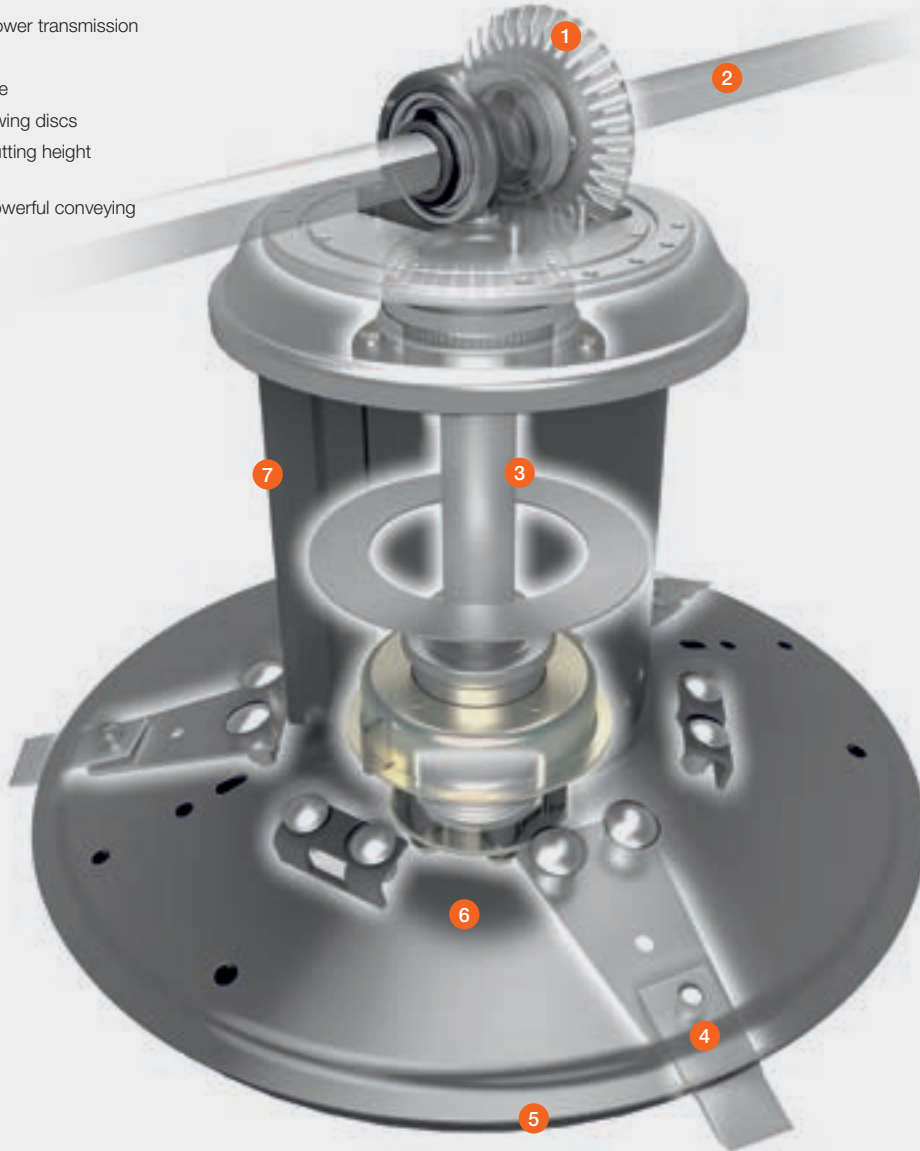
- Specifications 27



corto.claas.com

Cutting-edge technology.

- 1 Bevel gear transmission with continuous lubrication
- 2 Hexagonal shaft power transmission
- 3 Rigid centre shaft
- 4 Quick blade change
- 5 Fully rotational mowing discs
- 6 Infinitely variable cutting height adjustment
- 7 Drum body with powerful conveying effect



Impressive – the mowing drum.

Our CORTO mowing drums feature reliable technology that has long proved its worth in practice. They are powered via a hexagonal shaft fitted to a generously dimensioned bevel gear transmission, which is protected from wear through continuous lubrication in an oil bath, ensuring that the mower runs smoothly.

Shocks to the mowing drum are transferred directly to the main frame via the rigid centre shaft, which protects the drive

from shock loads, ensuring that the mowing discs can rotate freely – this protects the grass cover and prevents forage contamination. Depending on the model, the cutting height is either infinitely adjustable or can be set using spacer rings. Additional mowing discs can be used to raise the cutting height by a further 25 mm for operation over particularly damp and hilly terrain.



Robust gear frame.

The torsionally rigid square gear frame is easy to access, and is screwed to the drum with an extra-strong flange.

The straight drive line allows for an efficient transfer of power to the V-belt, which prevents shock loads by flexibly cushioning the peak loads.



Smooth crop flow.

The mowing drums are widely spaced to ensure that the crop flows smoothly and rapidly. The swathing plates form the forage into an even swath.



Simple maintenance.

All CORTO models are well equipped to keep maintenance times to a minimum. For example, all grease nipples and the drive shaft can be easily accessed. When required, the blade box (which is integrated as standard in some models) allows the knives to be changed rapidly.



Dependable drive.

Safe, shock-absorbing power transmission with a sturdy V-belt design.

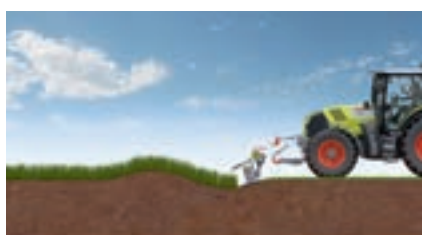
At the forefront of the action – CORTO front mowers.

With working widths of 3.05, 2.82 or 2.65 metres,
you'll be well equipped for the grass or hay harvest.





PROFIL and ACTIVE FLOAT –
the best recipe for top feed quality.





The PROFIL model range – three-dimensional ground-contour tracking.

Thanks to the close-to-ground pivot point, the mowing drums follow the ground contours, regardless of the movements of the tractor. This ensures a clean and consistent cut, while protecting the grass cover. At the same time, consistent ground pressure is maintained, either by the suspension springs or the ACTIVE FLOAT hydropneumatic suspension system. This prevents forage contamination, so that you're always assured of getting top-quality forage.

Reversing.

Reversing is sometimes unavoidable, especially in small fields, but it presents no problems for the CORTO. Even on extremely uneven terrain, the mower follows every ground contour closely, leaving behind neat and tidy results.



Optimal ground-contour following in the PROFIL model range for top-quality forage and low wear and tear.



ACTIVE FLOAT – professional suspension.

With the optionally available ACTIVE FLOAT suspension, the mowing unit's suspension remains constant at all times, regardless of its position in relation to the tractor. You can adjust the suspension from the driver's seat to suit the conditions at any time – even while mowing. The current suspension pressure setting is displayed in the cab on an easy-to-read pressure gauge.

Benefits:

- Grass cover protection means clean forage
- Reduced fuel consumption with frictional resistance produced during the mowing process converted into rolling resistance
- A clean cut for quicker regrowth
- Minimum wear and tear on the mower unit
- Capacity for higher working speeds

Practical.

Easy to put on and take off.

The mower is mounted on the tractor with an A-frame coupling. To prevent damage to the protective cover, elastic cords allow downwards movement to avoid obstacles. When removing the mower, the longitudinal linkage geometry holds the three-point hitch in an upright position, without the need to lock it. The brackets for the drive shaft, the ACTIVE FLOAT kit and the hydraulic hoses on the folding protective covers keep the equipment tidy and protect it from dirt and damage.



You can use the hydraulically folding protective covers to reduce the transport width to 3.00 metres, without leaving the driver's seat.



Clean cut.

Four large drums ensure an even crop flow, and two suspended swathing discs create a narrow, uniform swath, allowing material intake directly from the loading wagon.



An additional pair of swathing discs, available as an optional extra, reduce the swath width from approx. 100 cm to approx. 80 cm. Individual suspension allows the discs to move in three dimensions to avoid obstacles. To set the required swath width, simply use the lever on the mower.

The cutting height can either be set using spacer rings or adjusted infinitely with a fitting lever, depending on the model.





FLEXGUARD – rear collision protection.

The FLEXGUARD rear collision protection system features a spring suspension that allows the protective frames on the side to move in any direction in the event of a collision, preventing damage to the protective frames and covers.



The right decision.



A basis for quality.

Contractor Christoph Kayser from Meschede in Germany's Sauerland region operates a CORTO 3200 F PROFIL together with a DISCO 8400 CONTOUR. He decided to use this combination because he wanted to achieve outstanding quality over large acreages.

"My customers mainly include large dairy farms, which place a high value on forage quality and an even regrowth. This is where the mowers come into their own."

What Kayser especially values about his CORTO is the three-dimensional ground-contour tracking of the PROFIL linkage geometry: "You can feel that the mower follows the ground completely independently of the movement of the tractor. This is essential for clean forage."



The ACTIVE FLOAT hydropneumatic suspension also offers clear benefits: "Being able to change the ground pressure while you're driving is a real advantage, because it means you're always driving with optimal suspension."

In summary, Christoph Kayser is delighted with his CORTO 3200 F PROFIL: "I'm very happy with this mower, and can strongly recommend it."

Quick blade change.

Simply use the fitting lever to press down the blade springs between the mowing drums and replace the blade. The fitting lever is handily located on the mounting frame.

You can keep your original CLAAS blades in the removable blade box, which has two separate compartments for right- and left-hand blades. All compartments are marked with the corresponding spare part numbers.

Easy maintenance.

A visual marker enables you to check the belt tensioning. If required, you can readjust the tension from outside, without having to open the guard.

The drive shafts are extremely easy to maintain, with lubrication intervals of 250 hours for the universal joints and 100 hours for the sliding tubes.



Quick blade change



V-belts can be quickly re-tensioned

CORTO front mowers – with or without conditioner.

CORTO front mowers – productivity features.

The patented front mower linkage geometry ensures perfect ground-contour following, both fore and aft and also side-ways, regardless of the tractor angle. This protects the grass cover and prevents any contamination of the forage. CORTO front mowers always leave a clean cut across the entire working width.

Smooth crop flow.

Four large drums ensure an even crop flow, and a pair of adjustable swathing discs creates a narrow, uniform swath. A second pair of swathing discs is available as an optional extra. The cutting height is adjusted using either a fitting lever or spacer rings, depending on the model.

Compact and straightforward.

With their centre of gravity located close to the tractor, CORTO front mowers can be transported safely without any rocking. The protective covers on the side can be folded back, giving the mower a transport width of under 3.00 metres, so that the driver has a clear view of the road.



Adjustable conditioner speed.

To adjust the mower to the tractor, simply change the belt pulley to reduce the speed from 1,000 to 540 rpm.



CORTO 3100 FC – conditioning saves time.

The CORTO 3100 FC comes equipped with an easy-to-remove tine conditioner, which enables you to maximise your work rate and make the most of the available harvesting window. You can adjust the conditioning intensity by adjusting the baffle plate, without the need for tools. The conditioning effect can be modified still further by turning the asymmetric tines by 180°. The adjustable swathing plates set down the swath in an optimal width.

Plenty of power in the rear.



With working widths of 3.05, 2.65, 2.10 or 1.85 metres, we offer proven technology for large and small farms alike.



Just the right technology.



Easily adjustable.

Adjustable mounting bolts enable the mower to be adapted to the respective tractor track width. This allows you to make full use of the mower's working width or create a perfect overlap in combination with a front mower.



Adjustable swathing discs.

Depending on the particular requirements, the swathing disc settings can be changed to adjust the swath width.



Suspension.

At all times, half of the mower is suspended from one of the dual springs. The interaction of the spring assembly ensures that steady ground pressure is maintained across the entire cutting width, giving you the advantage of uniform mower suspension and optimum ground-contour following, even in difficult operating conditions. The benefits: reduced frictional resistance, protection of the grass cover and an even cut.



Reliable overload protection.

The overload protection features prevent damage to the mower. If the mower encounters an obstacle, it swings back automatically. To carry on, all you need to do is back up the tractor.



Convenient single-lever control.

With just one control lever, the mowing unit can be raised at the headlands or swung into transport position without having to use the three-point hydraulic linkage or modify the basic settings. The mowing unit is lowered to the ground evenly over its full width via the parallel lifting function. The ground pressure when mowing always remains even, and the cut clean.

On-road transport.

There are three ways you can transport your mower on the road:

- With the sides folded upwards, for good all-round visibility
- Swivelled to the rear, for passing through low or narrow openings, for example
- Swivelled to the rear and folded upwards for an even weight distribution on the rear axle and better road handling

When it comes to the point.





Faster mowing with conditioner.

The CORTO 270 NC is equipped with a conditioner, enabling flexible use of short harvesting windows. For example, when it is teamed up with the CORTO 3100 FC, you have a powerful combination for effective feed harvesting.



Quick blade change.

As with the CORTO front mowers, the rear mowers feature an integrated lever system for convenient blade changing.

The foldable protective covers offer easy access to the mowing drums.



In the CORTO 210 N and 185 N models, you can move the mower from the transport position to the working position from the comfort of the cab by unlocking the breakback protection. A hydraulic system for folding the CORTO into its transport position is available as an optional extra.

For connoisseurs.



Attention to every detail.

Our perfectly coordinated product range enables you to maintain outstanding forage quality at every stage in the process – without compromise.

Our goals are your goals:

- Healthy cows
- More milk per forage unit
- Higher gas yield for biogas plant operators
- Profitable, efficient and sustainable production

Timing is everything.

Owing to weather conditions, the harvest season is often very short. CLAAS forage harvesting machines are therefore designed for reliable operation at maximum efficiency, as the only way to achieve top quality outcomes.



Keeping next season in mind.

CLAAS understands the importance of harvesting with minimum impact on the soil, grass cover and harvested crop. CLAAS-developed solutions such as ACTIVE FLOAT, MAX CUT and the unique PROFIL linkage geometry for DISCO, MAX SPREAD for VOLTO, GRASS CARE for LINER and EFFICIENT FEEDING SYSTEM (EFS) for CARGOS help you to achieve these aims. Our optimism for the future is based on close attention to our customers' needs and a wealth of innovative ideas.

Keeping you up and running – CLAAS Service & Parts.



Your requirements count.

You can always rely on us: we'll be there whenever you need us – everywhere, quickly and reliably, around the clock if necessary, with precisely the solution that your machine or business requires. Keeping you up and running.

100% operating reliability.

Fitting CLAAS ORIGINAL parts ensures the highest degree of operating reliability. Our parts are perfect-fitting, high-quality series parts produced using the latest manufacturing methods and subject to continuous quality controls. Keeping you up and running.

ORIGINAL parts and accessories.

Your machine has a crucial role to play – so ensuring its reliability is essential. We think in terms of solutions: for your harvesting requirements and your business. Specially matched to your machine: precision-manufactured parts, high-quality consumables and useful accessories. We will supply exactly the right solution for your machine from our comprehensive product range. Keeping you up and running.

Always quickly on the scene.

A tight-knit service network and personal contact partners ensure that we are always easily accessible – from sales staff to technical support and customer service. Keeping you up and running.



Always up to date.

CLAAS dealers are among the most efficient agricultural technology companies in the world. Our service teams are ideally qualified and equipped with the all-important special tools and diagnostic systems. CLAAS Service stands for high-quality work which meets all your expectations with regard to expertise and reliability. Keeping you up and running.

Worldwide coverage from Hamm.

Our central spare parts warehouse delivers all ORIGINAL parts quickly and reliably all over the world. Your local CLAAS partner can supply the right solution for your harvest or your business within a very short time. Keeping you up and running.

The CLAAS Parts Logistics Center in Hamm, Germany, stocks more than 155,000 different parts and has a warehouse area of over 100,000 m².





CORTO		3200 F Profil / FN PROFIL	3100 FC	290 FN
Front mowers				
Dimensions				
Mowing width	m	3.05	3.05	2.82
Transport width	m	3.00	3.00	2.76
Hitch category	Cat.	II ¹	II ¹	II ¹
PTO shaft speed	rpm	1000	1000/540	1000/540
Optional PTO shaft speed	rpm	–	750	750
Mower				
Mowing drums	Qty	4	4	4
Blades per drum	Qty	3	3	3
Mowing height	mm	30–52/36 or 42 ²	30–52	36/42 ²
Mowing height with additional mowing discs	mm	+ 25	+ 25	+ 25
Two swathing discs		●	○	●
Spring suspension		●	●	●
Tine conditioner		–	●	–
Swath width				
Without conditioner or swathing discs	mm, approx.	–	–	–
Without conditioner and with one pair of swathing discs	mm, approx.	1100–1450	1450	1350
Without conditioner and with two pairs of swathing discs	mm, approx.	900–1450	900	850
With conditioner	mm, approx.	–	1350	–
Automatic ground-contour following				
Fore and aft	degrees	20	20	20
Lateral	degrees	20	12	12
Additional equipment, conditioner				
Conditioner speed	rpm	–	900/770	–
Tyres and weight				
Tyres		–	–	–
Weight	kg, approx.	830/820	810	630
Weight with conditioner	kg, approx.	–	990	–
Wide crop spreader		–	–	–
Optional				
Two additional swathing discs		○	–	○
Extra-high mowing discs		○	○	○
Hydraulic foldable protective covers		○	–	–
ACTIVE FLOAT		○	–	–

1 For A-frame coupling

2 With additional spacer ring (○).

270 FN	310 N	270 N/NC	210 N	185 N
Rear mowers				
2.65	3.05	2.65	2.10	1.85
2.60	2.45	–	–	–
II ¹	II	II	II	II
1000/540	1000	540	540	540
750	–	1000	–	–
4	4	4	2	2
3	3	3	4	3
36/42 ²	36/42 ²	36 or 42 ²	36/42 ²	36/42 ²
+ 25	+ 25	+ 25	+ 25	+ 25
●	○	●/–	–	–
●	●	●	○	○
–	–	●	–	–
–	2200	–	900	800
1200	1500	1300	–	–
800	900	800	–	–
–	–	1350–2650	–	–
20	–	–	–	–
12	– 20 / + 35	– 20 / + 35	–	–
–	–	936	–	–
–	–	–	–	–
605	950	840	529	481
–	–	1028	–	–
–	–	● / –	–	–
○	○	○ / –	–	–
○	○	○	–	–
–	–	–	–	–
–	–	–	–	–

CLAAS continually develops its products to meet customer requirements. This means that all products are subject to change without notice. All descriptions and specifications in this brochure should be considered approximate and may include optional equipment that is not part of the standard specifications. This brochure is designed for worldwide use. Please refer to your nearest CLAAS dealer and their price list for local specification details. Some protective panels may have been removed to present the function more clearly in photographs. To avoid any risks, you should never remove these protective panels yourself. In this context, please refer to the relevant instructions in the operator's manual.

● Standard ○ Optional □ Available – Not available.





CLAAS UK
Saxham
Bury St. Edmunds
Suffolk
IP28 6QZ
Tel 01284 763100
claas.co.uk
info-uk@claas.com
511012130715 KK KP 0815

365FarmNet enables you to manage your entire agricultural business by means of a single, non-proprietary software solution. Interfaces to intelligent applications created by partners in the agricultural sector offer expert support for your business 365 days a year.

CLAAS is a 365FarmNet partner.

www.365farmnet.com



365FarmNet