

TJ Series

from 18 to 30 m

The GSR "TJ" series is known for the exceptional strength and rigidity of the aerial platform and its simple and intuitive operation. The high product quality and excellent performance parameters of the aerial platform with unrestricted outreach at full basket capacity are secured by applying traditional and reliable technical solutions, as well as special steels and boom profiles.

The combination of the telescopic boom with a jib and the basket position at the end of the vehicle allow fast, versatile and flexible use. With the fly jib, the user has a further movement available to place the working basket in the best position.

Protected internal hosing together with self-cleaning brushes fitted to the telescopic sections prevent dirt and debris entering the boom. The hydraulic joysticks are housed for protection, robust and durable and allow the operator to perform all movements, even at full working height with smoothness and accuracy. Outrigger controls allow for individual leg operation ensuring effective ground contact and levelling on uneven surfaces.

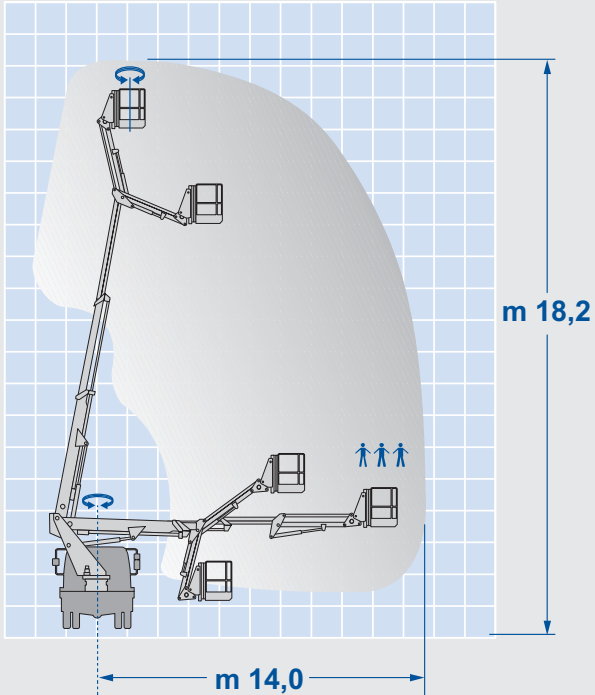
The machines can be fitted on the most popular commercial vehicles starting from 7,5t. Different vehicle installations are possible by varying outrigger configurations and tailoring working envelopes to optimise each mounting.



GB



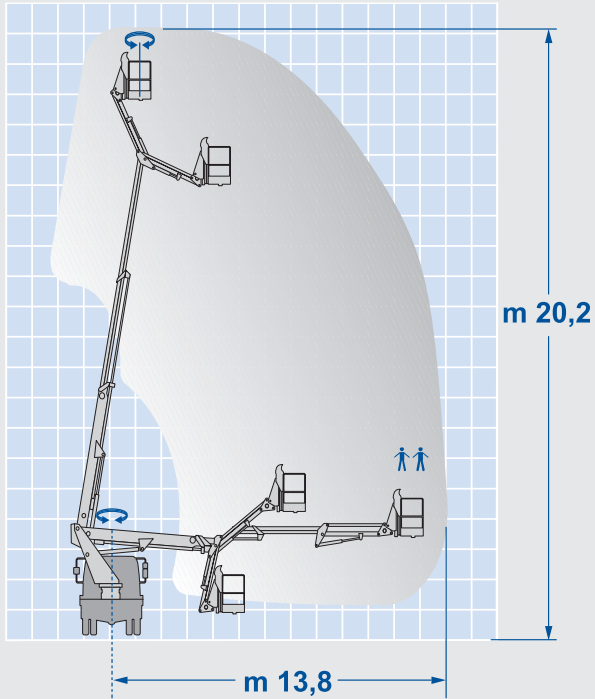
E180TJ



Working Height: 18,2 m
Max. Outreach: 14,0 m
Basket Capacity: 280 kg
Turret Rotation: 450°
Basket Rotation: 85°+70°
JIB Articulation: 125°
GVW min.: 7,5 to



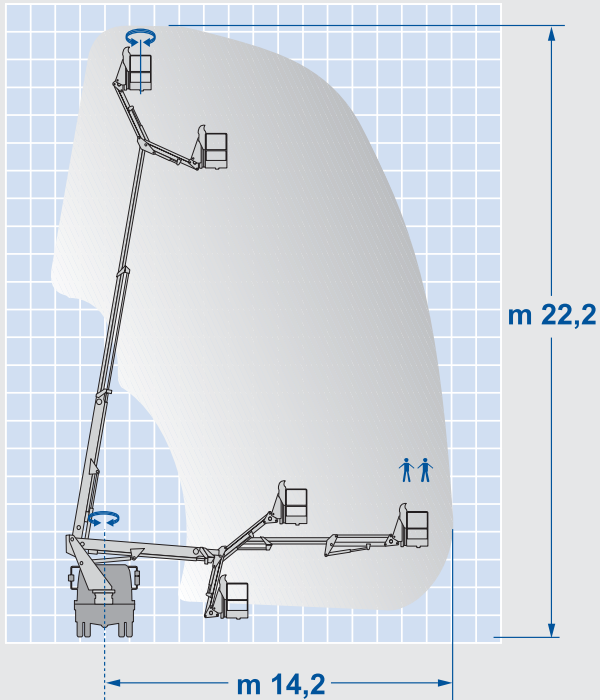
E200TJ



Working Height:	20,2 m
Max. Outreach:	13,8 m
Basket Capacity:	250 kg
Turret Rotation:	450°
Basket Rotation:	85°+70°
JIB Articulation:	125°
GVW min.:	7,5 to



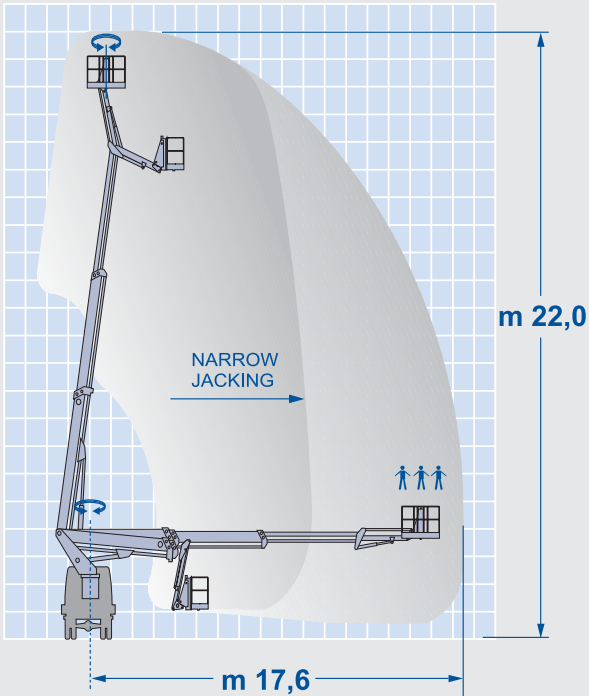
E220TJ



Working Height:	22,2 m
Max. Outreach:	14,2 m
Basket Capacity:	250 kg
Turret Rotation:	450°
Basket Rotation:	85°+70°
JIB Articulation:	125°
GVW min.:	7,5 to



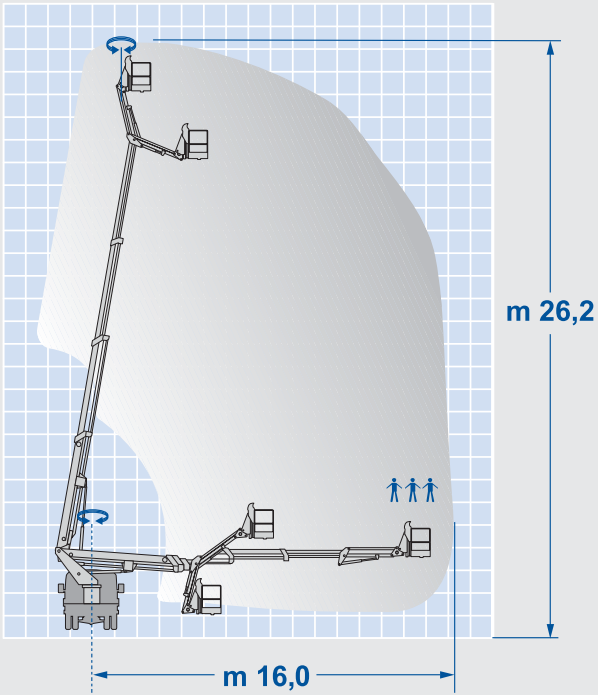
E228TJ



Working Height:	22,0 m
Max. Outreach:	17,6 m
Basket Capacity:	280 kg
Turret Rotation:	365°
Basket Rotation:	85°+70°
JIB Articulation:	135°
GVW min.:	7,5 to



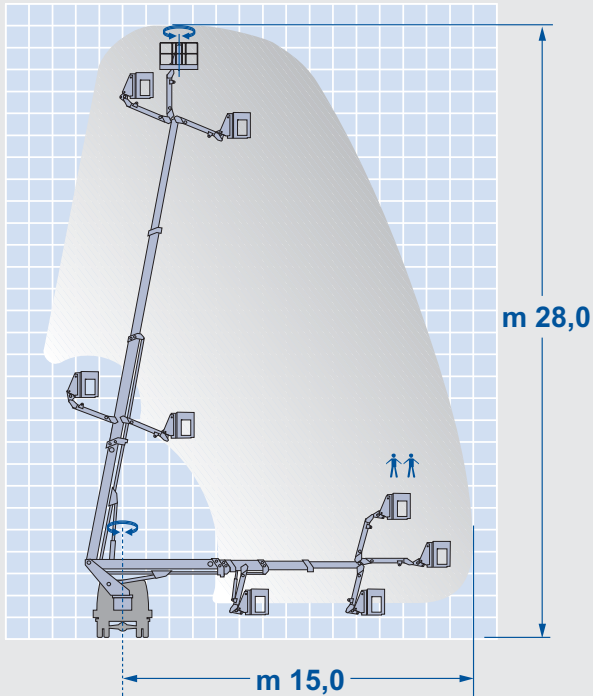
E260TJ



Working Height:	26,2 m
Max. Outreach:	16,0 m
Basket Capacity:	280 kg
Turret Rotation:	365°
Basket Rotation:	85°+70°
JIB Articulation:	125°
GVW min.:	7,5 to



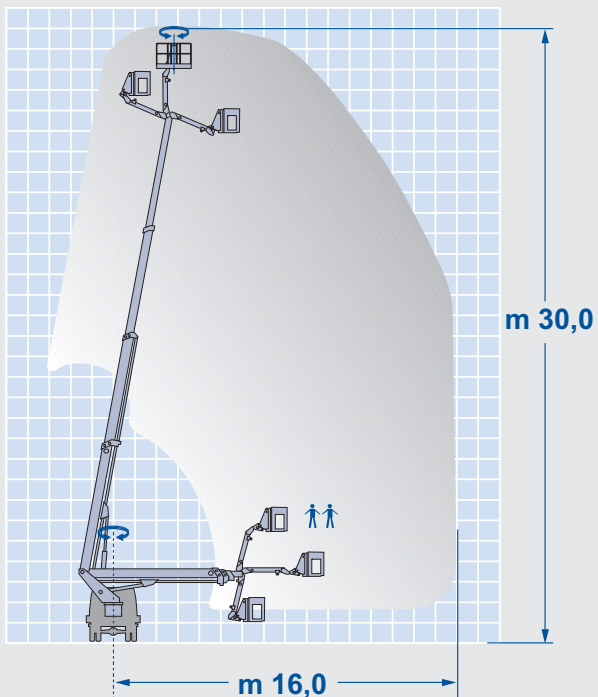
D280TJ



Working Height:	28,0 m
Max. Outreach:	15,0 m
Basket Capacity:	220 kg
Turret Rotation:	370°
Basket Rotation:	60°+85°
JIB Articulation:	165°
GVW min.:	7,5 to



D300TJ



Working Height:	30,0 m
Max. Outreach:	16,0 m
Basket Capacity:	220 kg
Turret Rotation:	370°
Basket Rotation:	45°+85°
JIB Articulation:	165°
GVW min.:	12,0 to



TJ
Series

T



THD



TJ



P



PX



PXJ



TV



TJV



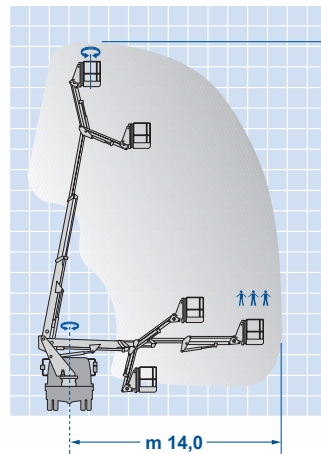
RA



MRA

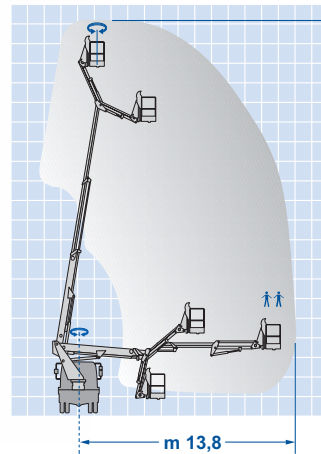


m 18,2



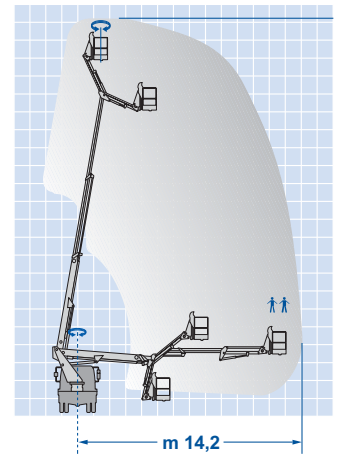
E180TJ

m 20,2



E200TJ

m 22,2



E220TJ

MODEL	Working Height (m)	Max. Outreach (m)	Basket Capacity (kg)	Turret Rotation (°)	Basket Rotation (°)	JIB Articulation (°)	GVW min. (to)
E180TJ	18,2	14,0	280	450	85 + 70	125	7,5
E200TJ	20,2	13,8	250	450	85 + 70	125	7,5
E220TJ	22,2	14,2	250	450	85 + 70	125	7,5



Standard features include

- Fully proportional hydraulic controls (on E-TJ models) and electro-hydraulic controls (on D-TJ models)
- Simultaneous and independent movements
- Telescopic cylinder mounted below the booms and internal housed hoses for maximum protection
- Easy access to the basket
- Tubular steel or fibreglass basket
- Automatic basket levelling
- Hydraulic basket rotation
- Control panels protected against accidental collision
- Cleaning brushes on all telescopic boom sections
- Turret rotation on self braking slewing system
- Colour scheme white RAL 9010 for the aerial platform, black RAL 9011 for the cylinders
- Rectangular boom
- Antislip aluminium decking
- Vehicle engine start /stop from the basket

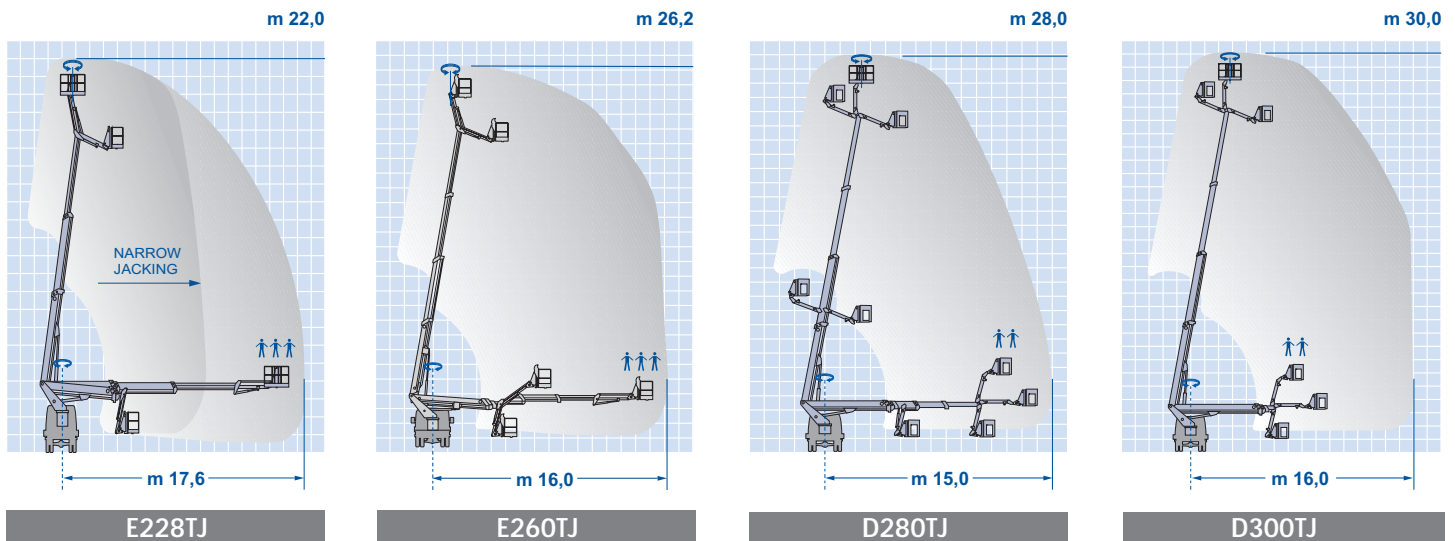
Wide series of vehicle fittings and accessories available. For detailed information contact sales office.

Safety

- Outrigger / Boom interlocks
- Emergency stop at the basket and the ground control points
- Failsafe lock valves to all hydraulic cylinders
- Spirit level indicator
- Emergency controls located on the base
- Control lights in the cab indicating outriggers grounded and in stowed position
- Electric emergency pump
- Conformity declaration (CE)

Extra accessories

- Hour meter connected to the power take-off of the vehicle
- 230/110V wiring to the basket
- Mains powered electric motor for engine-off use (switched from the ground)
- Rotating beacon
- Safety harness and lanyard
- Tool box under the decking
- Special painting
- N. 4 wooden outrigger pads
- N. 4 steel outrigger pads
- Spotlight in the basket
- Walk-In fibreglass basket
- Cab protection
- 1kV electric insulation (only E180TJ, E200TJ, E220TJ and E260TJ)



MODEL	Working Height (m)	Max. Outreach (m)	Basket Capacity (kg)	Turret Rotation (°)	Basket Rotation (°)	JIB Articulation (°)	GVW min. (to)
E228TJ	22,0	17,6	280	365	85 + 70	135	7,5
E260TJ	26,2	16,3	280	365	85 + 70	125	7,5
D280TJ	28,0	15,0	220	370	60 + 85	165	7,5
D300TJ	30,0	16,0	220	370	45 + 85	165	12,0