

Engine V2607-DI

Engine power 33,8 kW - 46,0 HP

Operating weight 5.150 - 5.250 kg

ES 50 ZT

Concrete solutions. Always



TECHNICALS SPECIFICATIONS

| | | |
|---|------|---|
| Operating weight with canopy (with rubber tracks) | kg | 5.150 |
| Operating weight with cabin (with rubber tracks) | kg | 5.250 |
| Travelling speed (AUTO TWO SPEED) | km/h | 1 ^a : 0 ÷ 2,6 / 2 ^a : 0 ÷ 5,2 |
| Slew speed | rpm | 11 |

ENGINE

| | | |
|-----------------------|-----------------|-------------|
| Type | KUBOTA V2607-DI | |
| Max Power (2.200 rpm) | kW - HP | 33,8 - 46,0 |
| Displacement | cc | 2.615 |
| Number of cylinders | n° | 4 |
| Cooling | water | |
| Consumption | lt/h | 6,1 |
| Alternator | V (A) | 12 (60) |
| Battery | V (Ah) | 12 (100) |

HYDRAULIC SYSTEM

| | | |
|-----------------------------------|---|----------|
| Circuit Type | load sensing closed center system with flow sharing control valve | |
| Pump type | 1 ls variable pump + 1 gear pump | |
| Pump displacement | cc | 65 + 8 |
| Pump capacity | lt/min | 140 + 17 |
| Max. circuit calibration pressure | bar | 260 |
| Auxiliary system: | Max capacity | lt/min |
| | Max pressure | bar |
| | | 70 |
| | | 200 |

PERFORMANCES

| | | |
|---|--------------------|---------------|
| Max digging depth standard arm (optional arm) | mm | 3.600 (3.750) |
| Max dumping height with cab standard arm (optional arm) | mm | 3.950 (4.050) |
| Bucket breaking force (standard arm) ISO 6015 | daN | 4.500 |
| Arm breaking force (standard arm) ISO 6015 | daN | 2.800 |
| Traction force | daN | 5.200 |
| Ground pressure with canopy (with cabin) | kg/cm ² | 0,33 (0,34) |
| Max slope | 60% - 30° | |

DIMENSIONS

| | | |
|-----------------------------------|----|---------------|
| Maximum width | mm | 1.980 |
| Total height | mm | 2.560 |
| Rear rotation radius | mm | 1.000 |
| Digging arm length std (optional) | mm | 1.500 (1.650) |
| Tracks width | mm | 400 |
| Rollers number (for each side) | n° | 5/1 |

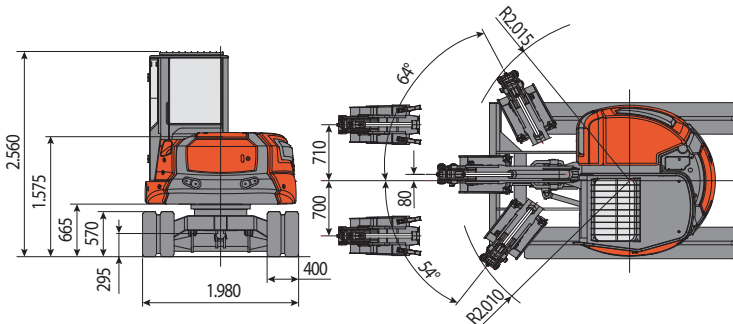
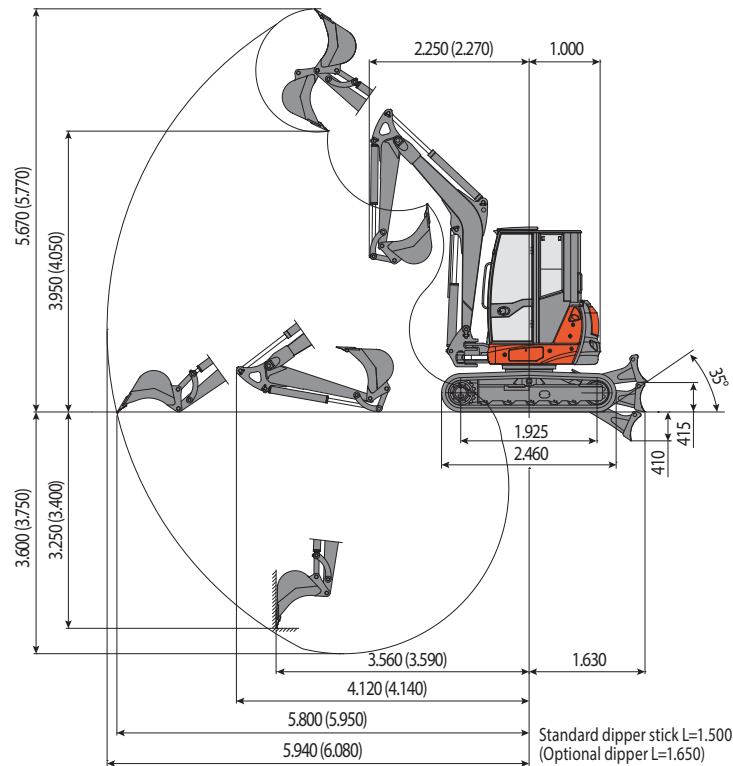
FILLINGS

| | | |
|----------------------------|----|----|
| Fuel tank | lt | 70 |
| Hydraulic oil tank | lt | 65 |
| Hydraulic circuit capacity | lt | 85 |
| Cooling system capacity | lt | 12 |
| Engine oil | lt | 9 |

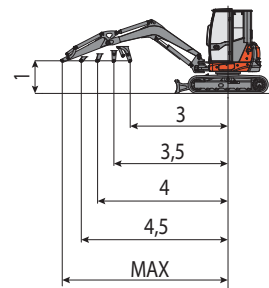
CONTROLS

| | |
|---|--|
| Boom, dipper stick, bucket and turret swing | 2 pilot joysticks |
| Tracks movement (included counter rotation) | 2 pilot levers |
| Dozer blade | 1 pilot lever |
| Auxiliary circuit (simple or double effect) | electroproportional switch on right joystick |
| Boom swing | electroproportional switch on left joystick |

ES 50 ZT



| LIFTING CAPACITY | | | | | |
|--|------|------|------|------|------|
| Opening arm from the rotation's center (m) | | | | | |
| Lifting capacity (kg) at 1.0 m height | | | | | |
| | 3 | 3,5 | 4 | 4,5 | MAX |
| Frontal and lowered dozer blade | 2314 | 1888 | 1605 | 1427 | 1296 |
| Frontal and lifted dozer blade | 1287 | 1020 | 844 | 704 | 600 |
| Lateral | 1136 | 934 | 759 | 628 | 536 |



The lifting capacity is based on the ISO 10567 and it does not exceed more than the 75% of static tipping load or more than the 87% of the hydraulic lifting capacity of the machine.



EUROCOMACH®

MADE IN ITALY



Sampierana S.p.a.

47021 S.Piero in Bagno (FO)
via Leonardo da Vinci, 40

Tel +39 0543.904211

Fax +39 0543.918520

www.eurocomach.com