



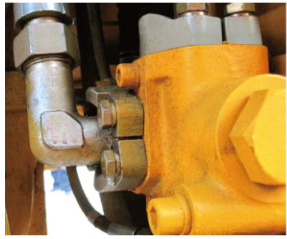
FL938G

Technical Features of FL938G:

- Equipped with DEUTZ WP6G140E22 as standard configuration and with LOVOL1006T engine as optional;
- Powershift transmission, electro-hydro-gas control, convenient;
- Adopted a large vision, all closed damping cab, comfortable and safe operating environment;
- Adopted pilot control, easy and light operation;
- Long wheelbase, high stability of whole machine operation.



Products Information



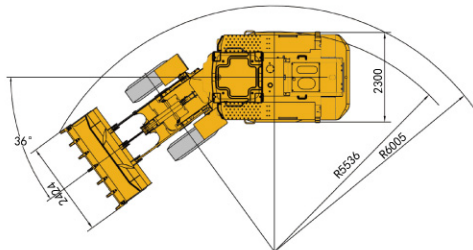
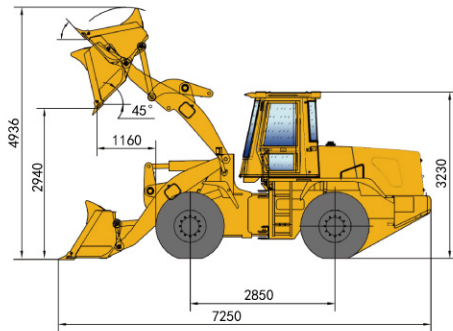
Full Forged Integral Hydraulic Connector



Wheel Rim Mounting Nuts



Hydraulic and Brake Systems



Main parameters

Rated load	kg	3500
Operating weight (standard)	kg	11000
Rated bucket capacity	m ³	2
Maximum breakout force	KN	125
Maximum traction force	KN	96
Total cycle time	s	9.7
Maximum dump height	mm	2940
Maximum dump distance	mm	1160
Forward speed range	km/h	0 ~ 36.5
Reverse speed range	km/h	0 ~ 35
Transport dimensions (L × W × H)	mm	7250×2420×3230
Maximum steering angle	°	36
Maximum gradeability	°	30
Minimum turning radius	mm	6005
Tire size	/	17.5-25-12PR

Engine parameters

Model	/	WP6G140E22
Type	/	6-cylinder, in-line, direct injection and turbocharged
Rated power/speed	kw/rpm	105/2200
Maximum torque	N·m	560@1400 ~ 1600
Cylinder diameter	mm	105
Stroke	mm	130
Displacement	L	6.754
Fuel consumption	g/kw·h	225

Hydraulic system

Work system pressure	Mpa	16
----------------------	-----	----

Braking System

Running braking system type	/	Single pipeline gas-oil 4-wheel clipper disc braking
Parking / emergency brake system type	/	Clipper disc braking

Tank Capacity

Fuel tank	L	155
Hydraulic oil tank	L	180