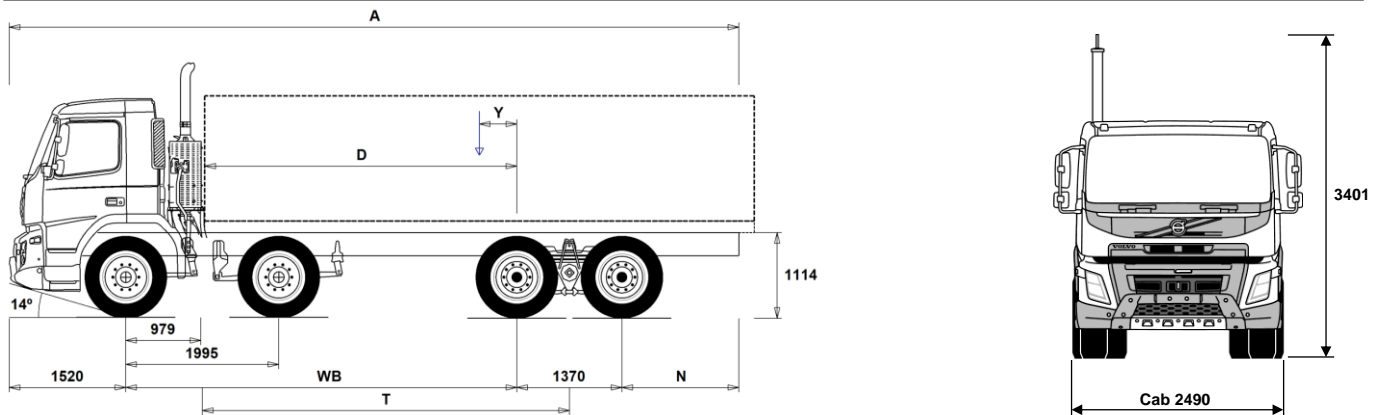


MODEL RANGE



Volvo Trucks. Driving Progress

FMX11 8x4 Rigid - High T Ride - N3 Cranked front axle for on road work FM 84F R1HTX



Chassis Dimensions [mm]

WB Wheelbase	5100	5600
A Overall Chassis Length	10815	11565
D Center of rear axle to front of body	4071	4571
N Rear Overhang (Min.)	1225	1225
N Rear Overhang (Max.)	2825	3075
T Theoretical Wheelbase	4788	5288
Y Center of Gravity for Payload (Min.)	673	831
Y Center of Gravity for Payload (Max.)	1321	1549

Chassis Weights [kg]

Front Axles	6715	6670
Rear Bogie	3135	3255
Kerb Weight	9850	9925
Payload (including body, driver, fuel, etc.)	22150	22075

Turning Diameter [mm]

Turning Circle Diameter Kerb to Kerb	20600	22200
Turning Circle Diameter Wall to Wall	22100	23700

Plated Weights [kg]

	Plated	Design
Gross Vehicle Weight	32000	42000
Gross Combination Weight	44000	44000
Front Axles	16000	16000
Rear Bogie	19000	26000

Important Notes

Chassis Dimensions

Cab Height: +167 mm for CAB-HSLP, +167 mm for CAB-SLP.
 Front Axle to Back of Cab: +506 mm for CAB-HSLP and CAB-SLP.
 D-measure includes a front clearance of 50 mm and for rigid trucks also a subframe of 100 mm.
 Height can vary ± 20 mm for leaf and ± 10 mm for air suspension.
 All dimensions are for unladen chassis and any tag axles down.
 Rear overhang used for vehicle weight calculation is the maximum rear overhang (N Max.) for selected wheelbase.

Weight and dimensions are based upon the following tyres:

Front Axle Tyres:	315/80R22.5
Drive Axle Tyres:	315/80R22.5

Chassis weight includes oil, water, AdBlue, 0 litres fuel and without driver. Kerb weight can vary $\pm 3\%$.

Turning diameters are theoretically calculated.

Legal weights can differ from country to country.

For more detailed weight information, including optional equipment weights, ask your Volvo sales contact to enter your specification into the Volvo Weight Information system (WIS).

Do NOT use this drawing for bodybuilding. Refer to Volvo Bodybuilder Instructions and chassis assembly drawing FM84FR1HTX.

MODEL RANGE

FMX11 8x4 Rigid - High T Ride - N3 Cranked front axle for on road work FM 84F R1HTX

TRUCK USE

- RC-ROUGH** Operating class on/off road
- RC-VROUG** Very rough road conditions
- TIPP-PRE** Tipper vehicle preparation
- UNIFORM** Basic platform vehicle

CORE COMPONENTS

- CHH-HIGH** Chassis height standard - For a specific loading height always check the unique BEP chassis drawing
- RADD-TR1** T-ride 1 rear two spring bogie suspension, 75mm wide springs
- RADD-TR2** T-ride 2 rear two spring bogie suspension, 90mm wide springs
- FMX-DAY** Day cab - with steel safety cage design
Designed and built to Swedish impact and ECE R29 regulations
- FMX-HSLP** Globetrotter cab - with steel safety cage design
Designed and built to Swedish impact and ECE R29 regulations
- FMX-SLP** Sleeper cab - with steel safety cage design
Designed and built to Swedish impact and ECE R29 regulations
- EU6SCR** Emission level - Euro 6
- D11K330** D11K330 10.8l engine developing 330hp at 16-1900rpm.
Peak torque 1600Nm at 950-1400rpm.
- D11K380** D11K380 diesel engine, 380hp, 1800Nm SCR and EGR
- D11K430** D11K430 diesel engine, 430hp, 2050Nm SCR and EGR
- D11K460** D11K460 diesel engine, 460hp, 2200Nm SCR and EGR
- EBR-EPG** Exhaust brake controlled by steering column switch
- EBR-EPGC** Exhaust pressure governor for I shift gearbox
- EBR-VEB** Volvo engine brake and exhaust pressure governor retardation 300kW
- AT2612F** AT2612F 12-speed "I-shift" automated mechanical gearbox suitable for gross train weights up to 60tonne only refer to sales engineering when used in conjunction with a PTO
- ATO2612F** ATO2612F 12-speed "I-shift" overdrive automated mechanical gearbox suitable for gross train weights up to 60tonne refer to sales engineering when used in conjunction with a PTO
- PT2106** Powertronic automatic 6-speed gearbox, max. engine torque 2100 Nm, max. permitted GCW 100000 kg
- RTH2610F** RTH2610F hub reduction tandem 26tonne drive axles, GCW 100 tonnes with differential and cross locks*
* Cross locks replaced by a dog clutch if tandem axle lift is specified
- RTH3210F** RTH3210F hub reduction tandem 32 tonne drive axles, GCW 100 tonnes with differential and cross locks*
* Cross locks replaced by a dog clutch if tandem axle lift is specified
- RTH3312** RTH3312 hub reduction tandem 33tonne drive axles, GCW 120 tonnes with differential and cross locks*
* Cross locks replaced by a dog clutch if tandem axle lift is specified
- RTS2370A** RTS2370A single reduction tandem 23tonne drive axles with differential and cross locks* - design GCW 70tonnes.
* Cross locks replaced by a dog clutch if tandem axle lift is specified

PACKAGES

- DRIVEFM** Driving package
- DRIVEFM+** Driving plus package
- BEDFM** One bed resting package
- AUDHIG** High Power Audio system: RDS radio with CD player - also playing MP3/WMA files from CD -, with integrated bluetooth phone and USB/Line inputs. FM/AM antenna, speakers in dashboard, doors, and sleeping compartment.
- MEDIA** AM/FM Bluetooth radio without CD player.
USB and Aux line inputs.
Speakers in dashboard, doors, and sleeping compartment.

Standard Equipment

Optional Equipment

For more detailed information about cab and powertrain equipment, please refer to separate specification sheets.

For all possible options and combinations of options please consult your Volvo sales contact who can create a specification to match your requirements using the Volvo Sales Support system (VSS).

The factory reserves the right to modify design and change equipment without previous notification.
The specification can vary from country to country.

- MEDIADF** 7" touch screen with personal apps.
AM/FM Bluetooth radio without CD player.
USB and Aux line inputs.
Speakers in dashboard, doors, and sleeping compartment.
7" touch screen with personal and professional apps.
Dynafleet vehicle on-board data display with office internet support.
 - MEDIANAV** AM/FM Bluetooth radio without CD player.
USB and Aux line inputs.
Speakers in dashboard, doors, and sleeping compartment.
7" touch screen with personal and professional apps.
Truck based satellite navigation (live updates not included)
 - MEDIANDF** AM/FM Bluetooth radio without CD player.
USB and Aux line inputs.
Speakers in dashboard, doors, and sleeping compartment.
7" touch screen with personal and professional apps.
Truck based satellite navigation (live updates not included)
Dynafleet vehicle on-board data display with office internet support.
 - RCHAPAC1** Chassis Package Rigid
- ## CHASSIS
- FST-PAR** Front suspension type - 2 leaf parabolic springs
 - FST-PAR3** Front suspension type - 3 leaf parabolic springs
 - FAL16.0** Front axles design capacity 16 tonnes - 2 x 8.0 tonne front axles
 - FAL18.0** Front axles design capacity 18 tonnes - 2 x 9 tonne front axles - check tyre load index
 - FAL20.0** Front axles design capacity 20 tonnes - 2 x 10.0 tonne front axles - UK weight 17tonnes in use - check tyre load index
 - FSM-LUB** Lubricated rear shackles on front suspension pins and bushings
 - FSTAB** Front anti-roll bar
 - FSTAB2** Front anti-roll bar medium stiffness
 - FSTAB3** Front stiff anti-roll bar
 - RAL23** Rear bogie design capacity 23 tonnes
 - RAL26** Rear bogie design capacity 26 tonnes
 - RAL32** Rear bogie design capacity 32 tonnes
 - RSTAB1** Rear anti-roll bar
 - RSAP2** Heavy duty rear suspension application (with reinforcements)
 - ACTST-TO** Volvo Dynamic Steering (VDS) with with extra electronic pump and torque overlay
 - ASFE-BAS** Active steering feature - Basic - Volvo Dynamic Steering only
 - ASFE-PS** Active steering feature - Volvo Dynamic Steering with personal settings
 - PSS-DUAL** Dual power steering system
 - PSP-VAR** Power steering pump with variable displacement
 - EBS-MED** EBS medium package including "hill" hold function
 - AUXPARK** Additional spring parking brakes
 - RST-MUL** Rear Suspension, Multi-leaf springs
 - RST-PAR1** Rear Suspension, Parabolic springs
 - ABS** Anti lock brakes
 - FBREG-E** Front regulating brake valve, EBS
 - FBREG-LS** Front regulating brake valve, load sensing
 - FRAME300** Frame rail section external height 300 mm
 - FST8080** Frame thickness - web and flange 8.0mm
 - FIL-EEEB** Inner liner from end of engine to end of bogie
 - FIL-EEEEF** Inner liner from end of engine to end of frame
 - FIL-FBEB** Inner liner over rear bogie
 - FIL-FBEF** Inner liner from front of bogie to end of frame
 - FIL-TXEB** Inner liner from gearbox member to end of bogie
 - FIL-TXEF** Inner liner from gearbox member to end of frame
 - BBOX-L** Battery box located on left hand side

MODEL RANGE

FMX11 8x4 Rigid - High T Ride - N3 Cranked front axle for on road work FM 84F R1HTX

- | | |
|---|--|
| <ul style="list-style-type: none"> <input type="checkbox"/> 2BAT210B 2 x 210 Ah capacity Gel batteries <input type="checkbox"/> 2BATT170 2 x 170 Ah capacity batteries <input type="checkbox"/> 2BATT225 2 x 225 Ah capacity batteries <input checked="" type="checkbox"/> BATTAMP Battery voltage and ampere gauge <input type="checkbox"/> BATTIND Battery charge indication <input type="checkbox"/> ADR2 ADR package for transportation of dangerous goods on road (Note does NOT include safe loading pass package if required this is quoted separately) <input type="checkbox"/> MSWI-A Main switch - ADR switch circuit shut down <input checked="" type="checkbox"/> MSWI-C Main switch - Chassis mounted toggle switch by battery box <input type="checkbox"/> MSWI-R Main switch - Key fob operated remote controlled <input checked="" type="checkbox"/> R315A56 Right aluminium 560 mm D-shaped fuel tank, 315 litres volume
Min volume 255l
Max volume 810l <input checked="" type="checkbox"/> UL-FUEL Without left fuel tank
Min volume 160l
Max volume 450l <input checked="" type="checkbox"/> ADTP-L AdBlue tank on left hand side <input type="checkbox"/> ADTP-LF AdBlue tank on left hand side at the front <input type="checkbox"/> ADTP-R AdBlue tank on right hand side <input checked="" type="checkbox"/> ADB032 AdBlue tank usable volume 32 litres <input type="checkbox"/> ADB048 AdBlue tank usable volume 48 litres <input type="checkbox"/> ADB064 AdBlue tank usable volume 64 litres <input checked="" type="checkbox"/> FCAP-L Locking fuel filler cap <input checked="" type="checkbox"/> FUFF-AS Fuel filling anti-spillage device <input type="checkbox"/> FUFF-ATS Fuel filling anti-theft and anti-spillage devices <input type="checkbox"/> ESH-LEFT Horizontal silencer, left exhaust outlet <input type="checkbox"/> ESH-REAR Horizontal silencer, rear exhaust outlet <input type="checkbox"/> ESH-RIGH Horizontal silencer, right exhaust outlet <input type="checkbox"/> ESH-VERT Horizontal silencer, vertical exhaust outlet <input checked="" type="checkbox"/> ESHVVERT Horizontal chassis mounted diesel particulate filter and vertical SCR silencer behind cab <input type="checkbox"/> EXST-SSP Stainless steel exhaust stack - NOT polished <input checked="" type="checkbox"/> EXST-ST Steel exhaust stack <input type="checkbox"/> WHC-FIX2 Two fixed wheel chocks <input type="checkbox"/> WHC-FOL2 Two foldable wheel chocks <input type="checkbox"/> WHCP-F Wheel chock(s) stored in the front part of the vehicle <input type="checkbox"/> WHCP-R Wheel chock(s) stored in the rear part of the vehicle <input type="checkbox"/> WHCP-T Transport mounted wheel chock(s) stored in cab outer luggage locker <input type="checkbox"/> TB-L80 Toolbox 800 mm, left side <input type="checkbox"/> TB-R80 Toolbox 800 mm, right side <input type="checkbox"/> SUP-BAS EC approved chassis side guards <input type="checkbox"/> SUP-LOW EC approved low chassis side guards <input type="checkbox"/> CHAIN-S Snow chains <input type="checkbox"/> HOOK-SC Snow chain hooks <input checked="" type="checkbox"/> TOWF-HD1 One heavy duty front towing device <input type="checkbox"/> TOWMBRH Towing member, high mounted in centre of frame, D = 190 <input type="checkbox"/> TOWMBRL1 Towing member, low mounted under the frame <input type="checkbox"/> TOWMBRM Towing member, medium mounted in line with frame lower flange <input checked="" type="checkbox"/> RFEC-S Rear frame end, straight cut for regular platform applications <input checked="" type="checkbox"/> RFEC-U Rear frame end, upper cut for tipper applications. <input type="checkbox"/> C-RI4040 Towing coupling, Ringfeder 4040 G-150 <input type="checkbox"/> C-RI5055 Towing coupling, Ringfeder 5055 G-150 <input type="checkbox"/> C-RO400G Towing coupling, Rockinger 400 G-150 for 40mm eyes <input type="checkbox"/> C-RO50 Rockinger RO 50 50mm for centre axle trailer <input type="checkbox"/> TOWR-ONE Towing hitch attached to rear crossmember <input type="checkbox"/> TREL-PK Trailer electrical preparation kit - chassis/cab wiring <input type="checkbox"/> TREL14 Single 14 pole electrical trailer connector <input type="checkbox"/> TREL15 Single 15 pole electrical trailer connector - ADR certified | <ul style="list-style-type: none"> <input type="checkbox"/> TREL7 7 pole - 24N trailer electrical suzie <input type="checkbox"/> TREL7-7 24N and 24S trailer electrical suzies <input type="checkbox"/> TBC-DUO Duomatic type air line connectors <input type="checkbox"/> TBC-EC Palm coupling type air line connectors <input type="checkbox"/> TRBR-HCF Full pressure hand controlled trailer brake <input type="checkbox"/> TRBR-STA Stationary trailer brake control <input type="checkbox"/> TRB-STRE Stretch Brake - Automatic low speed trailer brake activation to avoid jack-knifing and improve steerability <input type="checkbox"/> RUP-FOSL Folding & sliding EC approved aluminium rear underrun <input type="checkbox"/> FFEND-B Standard mounted mud wings on second front axle <input type="checkbox"/> FFEND-T Transport mounted mud wings on second front axle <input type="checkbox"/> RFEND-B Three piece EC approved rear mud wings and spray flaps <input type="checkbox"/> RFEND-T Rear mud wings, transport mounted <input type="checkbox"/> RFH-BAS Basic rear wing height <input type="checkbox"/> RFH-HIG High rear wing height - higher wing tops <input type="checkbox"/> RFH-LOW Lower rear wing height - shallower wing tops <input type="checkbox"/> ATANK-AL Aluminium air tanks <input checked="" type="checkbox"/> ATANK-ST Steel air tanks <input checked="" type="checkbox"/> TL-LED LED Tail lights <input type="checkbox"/> BLIGHT-E Emergency brake light <h3>WHEELS & TYRES</h3> <ul style="list-style-type: none"> <input type="checkbox"/> RT-AL Alcoa brushed aluminium rims with standard holes for long stud fixing on all axles <input type="checkbox"/> RT-ALDP Alcoa Dura-Bright EVO aluminium rims with standard holes long stud fixing on all axles, requires cleaning with a ph neutral solution - washing up liquid. <input type="checkbox"/> RT-ALDPD Alcoa Dura-Bright EVO aluminium rims with countersunk holes for short stud fixing on all axles, requires cleaning with a ph neutral solution - washing up liquid. <input type="checkbox"/> RT-ALDU Alcoa brushed aluminium rims with countersunk holes for short stud fixing on all axles <input type="checkbox"/> RT-SPOKE Spoke rims on all axles <input checked="" type="checkbox"/> RT-STEEL Steel rims on all axles <input type="checkbox"/> WCAP Aerodynamic hub caps <input type="checkbox"/> SPWT-D Spare wheel & tyre with rear tyre pattern <input type="checkbox"/> SPWT-F Spare wheel & tyre with front tyre pattern <input type="checkbox"/> SWCP-LF Spare wheel carrier on left side of chassis ahead of rear axle <input type="checkbox"/> SWCP-T Spare wheel supplied temporarily strapped to chassis <input type="checkbox"/> SWCP-TP Temporary spare wheel carrier on top of chassis frame <input type="checkbox"/> JACK-12T 12 tonne bottle jack <input type="checkbox"/> JACK-15T 15 tonne bottle jack <input type="checkbox"/> JACK-20T 20 tonne bottle jack <input checked="" type="checkbox"/> TOOL-BAS Basic Toolkit <input type="checkbox"/> TOOLKIT Complete tool kit <input type="checkbox"/> INFLAHOS Tyre inflation hose <input type="checkbox"/> GAUGE-TP Tyre pressure gauge <input type="checkbox"/> OBDEP-C Euro 6 Step C emission level <input type="checkbox"/> OBDEP-D Euro 6 Step D emission level <h3>DRIVELINE EQUIPMENT</h3> <ul style="list-style-type: none"> <input type="checkbox"/> TRAP-HD Reinforced gearbox application <input type="checkbox"/> TP-CON Construction Package <input type="checkbox"/> TP-DIST Distribution Package <input type="checkbox"/> TP-HD I-shift software - Heavy duty for high GCW
Special conditions apply consult Sales Engineering
Long Haul Package <input type="checkbox"/> TP-LONG Long Haul Package <input type="checkbox"/> AMSO-AUT Enhanced I-shift software with manual shift available in auto mode and kickdown facility on accelerator pedal <input type="checkbox"/> AVO-ENH Enhanced software for off road driveability and starting <input type="checkbox"/> APF-ENH I-shift enhanced PTO functions <input checked="" type="checkbox"/> CS43B-O Single plate 430mm (17") clutch |
|---|--|

Standard Equipment

Optional Equipment

For more detailed information about cab and powertrain equipment, please refer to separate specification sheets.

For all possible options and combinations of options please consult your Volvo sales contact who can create a specification to match your requirements using the Volvo Sales Support system (VSS).

The factory reserves the right to modify design and change equipment without previous notification. The specification can vary from country to country.

MODEL RANGE

FMX11 8x4 Rigid - High T Ride - N3 Cranked front axle for on road work FM 84F R1HTX

<input type="checkbox"/> RET-TH	Gearbox mounted retarder	<input type="checkbox"/> HPG-F101	Parker F1-101 gearbox mounted, fixed displacement, single flow, hydraulic pump
<input type="checkbox"/> RET-TPT	Hydraulic Retarder for Powertronic gearbox	<input type="checkbox"/> HPG-F41	Parker F1-41 gearbox mounted, fixed displacement, single flow, hydraulic pump
<input type="checkbox"/> TC-HWO	Automatic gearbox oil cooler - water to oil	<input type="checkbox"/> HPG-F51	Parker F1-51 gearbox mounted, fixed displacement, single flow, hydraulic pump
<input type="checkbox"/> TC-MAOH2	Extra high performance transmission oil cooler - air to oil with front mounted radiator	<input type="checkbox"/> HPG-F61	Parker F1-61 gearbox mounted, fixed displacement, single flow, hydraulic pump
<input type="checkbox"/> TC-MWO	Basic transmission oil cooler - water to oil	<input type="checkbox"/> HPG-F81	Parker F1-81 gearbox mounted, fixed displacement, single flow, hydraulic pump
<input type="checkbox"/> TC-MWOH2	High performance transmission oil cooler - water to oil	<input type="checkbox"/> EIDLESD	Engine idle shut down
<input type="checkbox"/> 1COMP530	Single cylinder, air compressor, 530 litres per minute	<input type="checkbox"/> STWPOS-L	LEFT HAND DRIVE
<input type="checkbox"/> 2COM1100	Two cylinder, air compressor, 1100 litres per minute	<input checked="" type="checkbox"/> STWPOS-R	RIGHT HAND DRIVE
<input checked="" type="checkbox"/> 2COMP900	Two cylinder, air compressor, 900 litres per minute	<input type="checkbox"/> STWM-LE	Leather steering wheel
<input type="checkbox"/> CLU-AIRC	Clutchable air compressor	<input type="checkbox"/> STGW-AD2	Adjustable steering wheel with neck tilt
<input checked="" type="checkbox"/> AIRIN-HI	Roof mounted air intake behind cab on left hand side	<input checked="" type="checkbox"/> STGW-ADJ	Adjustable steering wheel
<input type="checkbox"/> AIRIN-LO	Low level air intake behind cab on left hand side	<input checked="" type="checkbox"/> AIRBAG	SRS Driver's air bag
<input type="checkbox"/> ACL1ST-S	Two stage air filter	<input checked="" type="checkbox"/> DRC-AMII	DPF Regeneration control switch - for manual and switching off regeneration
<input checked="" type="checkbox"/> 24AL110B	110 amp alternator	<input type="checkbox"/> 1DAYDIG	Continental VDO DTCO 3.0 digital tachograph This tachograph can ONLY offer remote download if the option of Dynafleet or an FMS gateway has been specified with this order.
<input type="checkbox"/> 24AL120B	120 amp alternator	<input checked="" type="checkbox"/> 1DAYDIG2	Continental VDO DTCO 4.0 smart tachograph This tachograph can ONLY offer remote download if the option of Dynafleet or an FMS gateway has been specified with this order.
<input type="checkbox"/> 24AL150B	150 amp alternator	<input type="checkbox"/> 1DAYDIGP	Continental VDO DTCO 3.0 digital tachograph For vehicles with long lead time - this includes prep kit for the retrofit of DTCO 4.0 tachograph. For updating to new legal demand for trick registration from 15th June 2019. This tachograph can ONLY offer remote download if the option of Dynafleet or an FMS gateway has been specified with this order.
<input checked="" type="checkbox"/> CCV-C	Closed crankcase engine ventilation	<input type="checkbox"/> ARSL	Additional road speed limit - switch in dashboard
<input type="checkbox"/> CCV-OX	Closed crankcase ventilation for cold markets	<input type="checkbox"/> CRUIS-E	Eco cruise control (with eco-roll and I-cruise, controls in steering wheel)
<input checked="" type="checkbox"/> PRIM-EL	Electrical priming pump	<input checked="" type="checkbox"/> CRUISEC	Cruise control, standard
<input type="checkbox"/> PRIM-MAN	Manual priming pump	<input type="checkbox"/> ESP-BAS1	Electronic Stability Control
<input type="checkbox"/> FUEQ-EH	Fuel line electric heater	<input type="checkbox"/> ESPC-RO	ESP (Electronic Stability Program) functionality control - Reduced / Off
<input type="checkbox"/> AF-R	Hot fuel recirculation heated fuel filter	<input type="checkbox"/> HWSS-ACB	Adaptive cruise control with forward collision warning and advanced emergency braking
<input type="checkbox"/> FUEFE2LW	Large engine mounted dual fuel filter with water separator	<input type="checkbox"/> HWSS-FCB	Forward collision warning with basic cruise control and advanced emergency brake
<input checked="" type="checkbox"/> FUEFE2SW	Small engine mounted dual fuel filter with water separator	<input type="checkbox"/> LSS-DW	Lane departure warning system
<input type="checkbox"/> EST-AID	Air inlet manifold starting heater element	<input type="checkbox"/> LCS	Lane change support
<input type="checkbox"/> 220EBH15	220V/1.5Kw electric engine block heater	<input type="checkbox"/> DAS-W	Driver Alert Support system
<input type="checkbox"/> PTER-100	Rear engine mounted power-take-off with DIN 100 / ISO 7646 flange	<input type="checkbox"/> RSENS-W	Rain sensing windscreen wipers
<input type="checkbox"/> PTER-DIN	Rear engine mounted PTO with DIN5462 (female) splined shaft for a close coupled pump. Models with 3 steering axles will use this to drive the steering pump (AUXPSP)	<input type="checkbox"/> CU-ECC	Electrically controlled air conditioning with sun sensor
<input type="checkbox"/> PTER1400	Rear engine mounted power-take-off with SAE 1410 flange	<input type="checkbox"/> CU-ECC2	Electrically controlled air conditioning with sun sensor, mist sensor, air quality sensor and carbon filter
<input type="checkbox"/> HPE-F101	Parker F1-101, engine mounted, fixed displacement, single flow, engine mounted hydraulic pump	<input checked="" type="checkbox"/> CU-MCC	Climate unit with manual controlled air conditioning
<input type="checkbox"/> HPE-F41	Parker F1-41, engine mounted, fixed displacement, single flow, engine mounted hydraulic pump	<input checked="" type="checkbox"/> IMMOBIL	Thatcham H2 approved immobiliser
<input type="checkbox"/> HPE-F51	Parker F1-51, engine mounted, fixed displacement, single flow, engine mounted hydraulic pump	<input type="checkbox"/> ALARM-B	Thatcham H1 approved vehicle alarm - Cab only
<input type="checkbox"/> HPE-F61	Parker F1-61, engine mounted, fixed displacement, single flow, engine mounted hydraulic pump	<input type="checkbox"/> ALARM-E	Enhanced vehicle alarm - Thatcham H1 approved - Cab plus external sensor for body/trailer
<input type="checkbox"/> HPE-F81	Parker F1-81, engine mounted, fixed displacement, single flow, engine mounted hydraulic pump	<input type="checkbox"/> ALCOLOCK	Alcolock
<input type="checkbox"/> HPE-T53	Parker F2-53/53, engine mounted, Fixed displacement, Twin flow engine mounted hydraulic pump	<input type="checkbox"/> PHONE-PK	Telephone preparation kit (antenna, antenna attachm. cable)
<input type="checkbox"/> HPE-T70	Parker F2-70/35, engine mounted, Fixed displacement, Twin flow engine mounted hydraulic pump		
<input type="checkbox"/> HPE-V45	Parker VP1-45, variable displacement, single flow, engine mounted hydraulic pump		
<input type="checkbox"/> HPE-V75	Parker VP1-75, variable displacement, single flow, engine mounted hydraulic pump		
<input type="checkbox"/> PTPT-D	Powertronic PTO, 1 front/upper DIN connection for plug-in pump (max. 850 Nm)		
<input type="checkbox"/> PTPT-F	Powertronic PTO, 1 front/upper rear facing SAE flange conn. for prop shaft (max.850 Nm)		
<input type="checkbox"/> PTR-D	Gearbox PTO for plug-in pump, 0.71xeng speed		
<input type="checkbox"/> PTR-DH	Gearbox driven high speed PTO for one plug-in hydraulic pump		
<input type="checkbox"/> PTR-DM	Gearbox driven medium speed PTO for one plug-in hydraulic pump		
<input type="checkbox"/> PTR-F	Gearbox driven PTO with rear flange connection		
<input type="checkbox"/> PTRD-D	Gearbox driven HIGH SPEED PTO for two plug-in hydraulic pumps		
<input type="checkbox"/> PTRD-F	PTO with 1 DIN + 1 flange connection rear, manual gearbox		

Standard Equipment

Optional Equipment

For more detailed information about cab and powertrain equipment, please refer to separate specification sheets.

For all possible options and combinations of options please consult your Volvo sales contact who can create a specification to match your requirements using the Volvo Sales Support system (VSS).

The factory reserves the right to modify design and change equipment without previous notification. The specification can vary from country to country.

MODEL RANGE

FMX11 8x4 Rigid - High T Ride - N3 Cranked front axle for on road work FM 84F R1HTX

	incl.)				
<input type="checkbox"/>	WLIFT-AD	Electrical window lift, automatic up/down driver side	<input type="checkbox"/>	SBPRE-PS	Passenger seat belt pretensioner
<input checked="" type="checkbox"/>	WLIFT-EB	Electrical window lift	<input type="checkbox"/>	ARM-DBPS	Two armrests on driver seat and one (outer) on passenger seat
<input type="checkbox"/>	WLIFT-ME	Mechanical window lift	<input type="checkbox"/>	ARMRE-BB	Two armrests on both driver and passenger seat.
<input type="checkbox"/>	ISUNS-BS	Side interior sun visor on both sides	<input type="checkbox"/>	ARMRE-DB	Two armrests, on driver seat only
<input checked="" type="checkbox"/>	ISUNS-DS	Driver's side interior sun visor	<input type="checkbox"/>	ARMRE-PB	Two armrests, on passenger seat only
<input checked="" type="checkbox"/>	ISUNF-B	Interior front sun visor without mirror	<input type="checkbox"/>	ARMRE-PS	Single armrest (next to driver) on passenger seat
<input type="checkbox"/>	ISUNF-MD	Interior front sun visor with mirror on driver side	<input type="checkbox"/>	ARU-BAS	Vinyl upholstered armrest
<input type="checkbox"/>	ISUNF-RE	Electrically operated textile interior sun blind	<input type="checkbox"/>	ARU-LEA	Leather upholstered armrest
<input type="checkbox"/>	ISUNF-RM	Manually operated textile interior sun blind	<input checked="" type="checkbox"/>	FMAT-RU2	Rubber floor mats, extended
<input checked="" type="checkbox"/>	CSPU-S	One open storage (behind push open lid) in upper part of dash panel center section	<input type="checkbox"/>	FMAT-RUB	Rubber floor mats
<input type="checkbox"/>	ADFS	Two extra DIN slots in front shelf - can be fitted with card or drawer available as an accessory	<input type="checkbox"/>	FMAT-T2E	
<input checked="" type="checkbox"/>	BUPALARM	Reverse alarm	<input type="checkbox"/>	FMAT-TX2	Textile and rubber floor mats
<input type="checkbox"/>	BUPMON	Back up monitor with built in 7" screen on dash and one colour camera supplied loose for fitment by bodybuilder.	<input type="checkbox"/>	LBK-RES	Foldable rest bunk
<input type="checkbox"/>	RTOLL-PK	Road toll PREPARATION kit for trucks operating with "Toll Collect" in Germany	<input checked="" type="checkbox"/>	LBK70	Lower bunk 700 x2000 mm, fixed
<input type="checkbox"/>	REMC-MF	Multi-functio wireless remote control	<input checked="" type="checkbox"/>	ULBK	Without lower bunk
<input type="checkbox"/>	FIREXT3S	3kg fire extinguisher mounted on seat base	<input type="checkbox"/>	MATL-FI	Firm lower bunk pocket sprung mattress
<input type="checkbox"/>	WARNVEST	High visibility warning vest - no sleeves	<input type="checkbox"/>	MATL-SF	Lower flexizone mattress - semi-firm, pocket springs up to 100kg - 16 stone
<input type="checkbox"/>	AIDKIT	First aid kit	<input type="checkbox"/>	MATL-SO	Lower flexizone mattress - soft, pocket springs up to 85kg - 13.5 stone
<input type="checkbox"/>	AIDKIT1B	First aid kit	<input type="checkbox"/>	OLMAT-BA	35mm mattress overlay protector
<input type="checkbox"/>	WARNLAMP	Portable warning lamp	<input type="checkbox"/>	OLMAT-PR	50mm premium mattress overlay protector
<input type="checkbox"/>	LAMP-IN	Inspection lamp	<input type="checkbox"/>	TBK60F	Fixed foldable top bunk 600 x 1900mm
<input type="checkbox"/>	BULBKIT	Bulb and fuse kit	<input type="checkbox"/>	TBK70F	Fixed foldable top bunk 700 x 1900mm
<input type="checkbox"/>	WRITEPAD	Writing pad	<input type="checkbox"/>	PH-CAB2	1.8kW Air to air night heater
<input type="checkbox"/>	UPHTRI10	Seats: Black embossed textile insert with light grey sides, black vinyl side bolster with blue vinyl side insert. Interior trim: Raven black bunk and curtains & blue textile side walls	<input type="checkbox"/>	PH-ENGCA	Engine and cab night heater
<input checked="" type="checkbox"/>	UPHTRI11	Seats: Light grey embossed textile insert, black raven metallic vinyl bolster with red vinyl side insert. Interior trim: Raven black bunk and curtains & grey vinyl side walls	<input type="checkbox"/>	PH-SS	Short stop heater
<input type="checkbox"/>	UPHTRI12	Seats: Blue soft textile insert, black vinyl bolster. Interior trim: Raven black bunk and curtains & blue textile side walls	<input type="checkbox"/>	SLCP-BAS	Basic sleeper control panel - includes interior light, parking heater, roof hatch and door lock
<input type="checkbox"/>	UPHTRI13	Seats: Dark grey leather insert and black leather bolster. Interior trim: Raven black bunk and curtains & grey vinyl side walls	<input type="checkbox"/>	SAFE	Safe box for driver's personal items
<input type="checkbox"/>	UPHTRI14	Seat: Dark grey leather insert and black leather bolster. Interior trim: Raven black bunk and curtains & blue textile side walls	<input type="checkbox"/>	ETSB-F	Storage on engine tunnel - on front top
<input checked="" type="checkbox"/>	DST-CF4	Driver seat, comfort, suspended, belt in seat	<input type="checkbox"/>	ETSB-FR	Storage on engine tunnel - on front top and at rear cab wall
<input type="checkbox"/>	DST-CF5	Driver seat, comfort, suspended, belt in seat, electrically heated	<input type="checkbox"/>	ETSB-FRS	Storage on engine tunnel - on front top & at rear cab wall & storage recessed into tunnel on right hand side
<input type="checkbox"/>	DST-CF6	Driver seat, comfort, suspended, belt in seat, electrically heated, ventilated	<input type="checkbox"/>	ETSB-FS	Storage on engine tunnel - on front top and storage recessed into tunnel on right hand side
<input type="checkbox"/>	SBD-RED	Red seat belts	<input type="checkbox"/>	ETSB-R	Storage on engine tunnel - box at rear cab wall
<input type="checkbox"/>	SBPRE-DS	Driver seat belt pretensioner	<input type="checkbox"/>	ETSB-RS	Storage on engine tunnel - at rear cab wall and storage recessed into tunnel on right hand side
<input checked="" type="checkbox"/>	PST-BAS1	Passenger seat - Fixed non suspended fold up with seatbelt mounted in cab	<input type="checkbox"/>	ETSB-S	Storage on engine tunnel - recessed into tunnel on right hand side
<input type="checkbox"/>	PST-BENC	Bench passenger seat	<input type="checkbox"/>	RUS-BAS	Rear cab upper storage 154 litres - 300 mm high
<input type="checkbox"/>	PST-CF4	Passenger seat - Comfort suspended with seatbelt mounted in seat	<input type="checkbox"/>	RUS-HIG	Rear cab upper storage 245 litres - 440 mm high
<input type="checkbox"/>	PST-CF5	Passenger seat - Comfort suspended & heated with seatbelt mounted in seat	<input type="checkbox"/>	TABLE	Folding and height adjustable table - on lower bunk
<input type="checkbox"/>	PST-STD2	Passenger seat - Fixed non suspended with seatbelt mounted in cab	<input type="checkbox"/>	REF-ICPK	Refrigerator preparation kit, engine tunnel mounted
<input type="checkbox"/>	PST-STD4	Passenger seat - Standard suspended with seatbelt mounted in cab	<input type="checkbox"/>	REFR-RUS	28 litre rear upper wall mounted refrigerator with dividers
<input checked="" type="checkbox"/>	Standard Equipment		<input type="checkbox"/>	BOTH-D	One bottle holder under dashboard centre section
<input type="checkbox"/>	Optional Equipment		<input type="checkbox"/>	COFMA-PK	Coffee maker, preparation kit.
			<input checked="" type="checkbox"/>	INLI-BAS	Basic white interior lights
			<input type="checkbox"/>	INLI-NL	Interior white and red night light with no dimmer
			<input type="checkbox"/>	INLI-NLD	Interior white and red night light with dimmer function
			<input type="checkbox"/>	ARL-FLEX	Two flexible reading lamps (snake lamps)
			<input type="checkbox"/>	RH-EE	Without roof hatch
			<input type="checkbox"/>	RH-ETR	Roof & escape hatch - Electrically operated, tinted glass with rear opening
			<input type="checkbox"/>	RH-MSR	Steel roof hatch - Manually operated with rear opening
			<input type="checkbox"/>	RH-MTR	Roof & escape hatch - Manually operated, tinted glass with rear opening
			<input checked="" type="checkbox"/>	URH	Without roof hatch
			<input type="checkbox"/>	SWIND-BS	Extra side window on both sides behind "B" pillar
			<input type="checkbox"/>	SWIND-PS	Rear side window, passenger side
			<input type="checkbox"/>	VANMIR	Vanity mirror in front shelf

For more detailed information about cab and powertrain equipment, please refer to separate specification sheets.

For all possible options and combinations of options please consult your Volvo sales contact who can create a specification to match your requirements using the Volvo Sales Support system (VSS).

The factory reserves the right to modify design and change equipment without previous notification. The specification can vary from country to country.

MODEL RANGE

FMX11 8x4 Rigid - High T Ride - N3 Cranked front axle for on road work FM 84F R1HTX

- AS-FUS** Extra shelf in front upper storage compartments
- INFOT-PK** Preparation kit for the mounting of a flat screen TV in cab above the driver's door, includes bracket, electrical and speaker connections

CAB EXTERIOR

- **PAICS-B** Basic cab paint - mirrors, sunvisor, instep and bumper supplied in natural finish - grey
- **GLAS-TIN** Tinted windows.
- AWIND-RF** Rear window
- DGLAS-L** Laminated door glass
- **LOCK-MAN** Manual door locking
- LOCK-MRP** Manual door locking with internal remote control (from driver side) of passenger door
- LOCK-REM** Central locking with remote control
- **BUMP-HD** Heavy duty front bumper
- GUARD-EH** Engine guard to protect sump and engine hoses
- **BUGNET** Insect screen in front of radiator
- CTILTPE-E** Electrically operated hydraulic cab tilt
- **CTILTPE-M** Manually operated hydraulic cab tilt
- FCABS-A** Front cab - Air suspension
- **FCABS-M** Front cab - Mechanical spring suspension
- RCABS-A** Rear cab suspension - Air
- **RCABS-M** Rear cab suspension - Mechanical spring
- MIRCOMFX** Electrically heated and operated exterior mirrors with wide angle mirror on both sides and kerb view mirror on passenger side
- **MIRSTDX** Electrically heated exterior mirrors with wide angle mirror on both sides and kerb view mirror on passenger side
- **AMIR-F20** Auxiliary front view mirror with a 200mm radius
- SUNV-H** External smoke grey sunvisor
- AD-ROOF** Roof air deflector
- AD-SIDEL** Side air deflector extension panels
- AD-SIDES** Short cab side air deflector for rigid bodywork
- **HL-BAS2** Halogen H1 head lamps
- HL-BASIC** Halogen H7 head lamps
- HL-CLEAN** Head lamp cleaner - washer jets
- HLP-ST** Headlamp protection
- **HL-ADJ** Adjustable headlights with switch in the cab
- ASL-RF2** Two Hella H11 70W spotlamps in sign box - only available with the basic headlight and no lower driving lights.
- ASL-RFPK** Preparation kit for two spotlamps in sign box
- BEACO2F** Two front roof mounted amber beacon rotating warning lamps
- BEACO2R** Two rear roof mounted (on accessory bracket) amber beacon flashing warning LED lamps
- BEACON-P** Roof beacon wire preparation
- BEACONA4** Four roof mounted (2 front/2 rear) amber beacon rotating warning lamps
- CABPT-R1** Single outlet for roof mounted accessories
- **CABPT-R2** Twin outlets for roof mounted accessories.
- SPOTP-F** Spotlamp preparation in front, max 280W
- SPOTP-R** Spotlamp preparation on roof, max 280W
- SPOTP-RF** Spotlamp preparation on cab roof and in cab front, max 2x280W
- CSGN-FMX** "Volvo FMX" headboard logo
- **HORN-F1S** Single tone Jericho air horn chassis mounted
- HORN-R2S** Two roof mounted air horns
- ANT-CBR** Roof mounted antenna for CB radio, single aerial
- ACCBR-AP** Front, middle & rear roof mounted accessory brackets

- ACCBR-F** Front roof mounted accessory bracket
- **ACCBR-FM** Front & middle roof mounted accessory brackets
- ACCBR-FR** Front & rear roof mounted accessory brackets
- ACCBR-M** Middle roof mounted accessory bracket
- ACCBR-R** Rear roof mounted accessory bracket
- ACCBR-RM** Rear & middle roof mounted accessory brackets
- REFS-TW** White cab conspicuity markings by packed in cab
- REFS-TY** Yellow cab conspicuity markings by packed in cab

SUPERSTRUCTURE PREPARATIONS

- BP-MI02**
- BP-TI03**
- SRWL-PK** Wiring preparation for side & rear work/reverse lamps on side of chassis and a three-position switch, maximum 280W
- SWL-2FW** Two H3 70W white front chassis mounted (LH/RH side) working lamps and a 2-position switch (On/Off)
- SWL-2RW** Two H3 70W white rear chassis mounted (LH/RH side) working lamps and a 2-position switch (On/Off)
- SWL-4W** 4 H3 70W white front (2) & rear (2) chassis mtd (LH/RH side) working lamps & 2-pos switch (On/Off)
- SWL-PK** Wiring preparation for side work/reverse lamps on side of chassis and a three-position switch, maximum 280W
- WLC-H2A** Two H3/70W working lamps with amber coloured lens high mounted back of cab
- WLC-H2W** Two H3/70W white working lamps high mounted on the back of cab
- WLC-PKCH** Preparation kit (cables and switch) for cab mounted chassis working lamp
- WLC-PKH** Preparation kit, cables and switch for high mounted working lamps back of cab
- WLC-PKL** Preparation kit, cables and switch for low mounted working lamps back of cab
- WLC-PKLH** Preparation kit - cables and switch for low and high mounted working lamps back of cab.
- ECBB-BAS** Body builder electrical centre without body builder module
- **ECBB-HIG** Body builder electrical centre with body builder module
- BBCHAS1** One 7-pole connector for Body builder interface
- BBCHAS3** Three 7-pole connectors for Body builder interface
- BEPR-T2** Body builder electrical software preparation for tipper with remote control
- EXSTER** External steering control, with VDS and bodybuilder module
- TD-BAS** Trailer detection WITHOUT LED sensing
- **TD-LED** Trailer detection with LED sensing
- FRFS-B5** Frame rail free space on both sides to give space for crane legs or other equipment.
- FBA-BTF** Lower front body attachments for torsionally flexible - platform body
- FBA-BTSF** Lower front body attachments for torsionally semi-flexible body - box or curtainsider
- HBA-FSFB** Holes for body attachments - flexible/semi-flexible body
- HBA-SB** Holes for body attachments - stiff body
- RBA-T2** Lower rear body attachments for helper frame
- CRANEPK1** Crane plates mounted to frame, for cranes up to 10 tonne metre capacity
- CRANEPK2** Crane plates mounted to frame, for cranes up to 20 tonne metre capacity
- CRANEPK4** Crane plates mounted to frame, for cranes up to 40 tonne metre capacity
- AUXL-SPK** Electrical preparation kit - wiring and switch for snow plough lights
- TAILPRE2** Tail lift preparation kit, wireless remote operation
- TAILPREP** Taillift preparation kit - cab switch and warning in driver display
- AESW2** Two Body builder bistable electrical switches (marked AUX1 / AUX2)
- AESW2PK** 2 Body builder bistable el.switches (marked AUX1/AUX2) and

■ Standard Equipment Optional Equipment

For more detailed information about cab and powertrain equipment, please refer to separate specification sheets.

For all possible options and combinations of options please consult your Volvo sales contact who can create a specification to match your requirements using the Volvo Sales Support system (VSS).

The factory reserves the right to modify design and change equipment without previous notification. The specification can vary from country to country.

MODEL RANGE

FMX11 8x4 Rigid - High T Ride - N3 Cranked front axle for on road work FM 84F R1HTX

prep. for 4 more switches

- **AUXSW-4** Wiring for 4 extra switches (from Body builder electrical centre to switch positions)

DELIVERY SERVICES

- **TGW-3GWL** Telematics gateway with GSM/GPRS/3G modem and wireless lan WLAN
- **FMS-PK** Fleet Management System gateway
- **DRUT** "My Truck App" Two years subscription to driver utility application

VOLVO

Volvo Truck Corporation
volvotrucks.com