

# Specifications

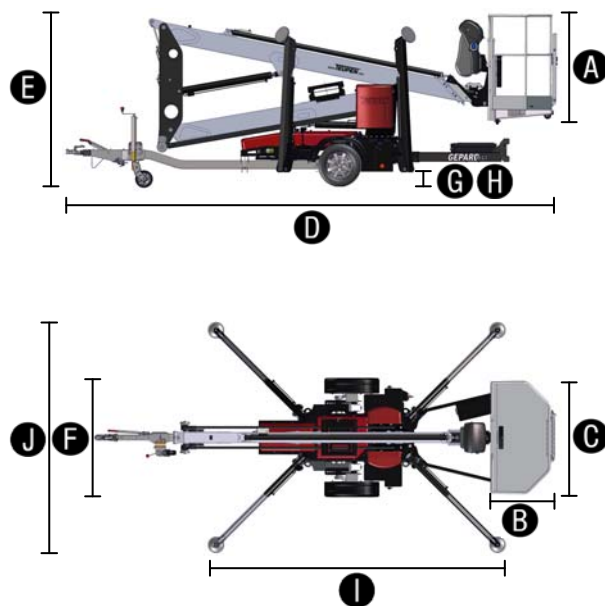
MEASUREMENTS	Metric	US
Working height, max.	12,80 m	42 ft
Horizontal outreach with 200 kg	6,05 m	20 ft
Up and Over Clearance, max.	4,60 m	15 ft 1 in
Platform height (A)	1,10 m	3 ft 7 in
Platform length (B)	0,70 m	2 ft 4 in
Platform width (C)	1,40 m	4 ft 7 in
Length, overall (D)	5,75 m	18 ft 10 in
Height, travel position (E)	1,99 m	6 ft 6 in
Width, minimal overall width (F)	1,48 m	4 ft 10 in
Max. ground clearance, 12" wheels (G)	0,16 m	6 in
Max. ground clearance, 14" wheels (H)	0,21 m	8 in
Length outrigger footprint standard (I)	3,69 m	12 ft 1 in
Width outrigger footprint standard (J)	2,86 m	9 ft 5 in
Outrigger plate Ø	0,20 m	8 in

PRODUCTIVITY	Metric	US
Basket capacity	200 kg	441 lbs
Movable Jib	-	-
Basket rotation	-	-
Turret rotation max.	355°	355°
To be jacked up on ground slope of	10°/17,6 %	10°/17,6 %
Gradeability max.	10°/17,6 %	10°/17,6 %
Slope angle	10°/17,6 %	10°/17,6 %
Travel speed, friction wheel drive	1,4 km/h	0.87 mph
Maximum speed (standard)	80 km/h	50 mph
Maximum speed (option)	100 km/h	60 mph

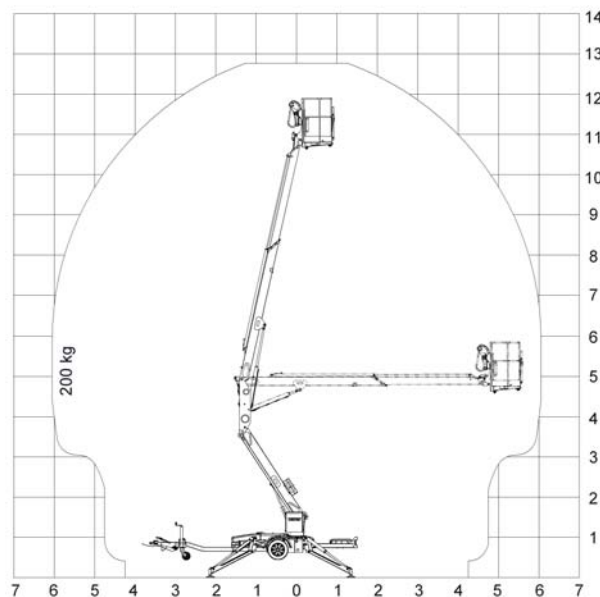
WEIGHT	Metric	US
Total weight in standard configuration	1600 kg	3,527 lbs
Towing capacity, training load	1545 kg, 55 kg	3,527 lbs, 121 lbs
Live load in travelling position	1,29 kN/m <sup>2</sup>	26.9 psf
Live load in working position	0,77 kN/m <sup>2</sup>	16.1 psf
Max. point load per outrigger plate	11.7 kN	2,630 lbf

POWER		
Standard power sources	<b>Battery:</b> 4 x 6 V, 225 Ah	
Optional power sources	<b>1) Electric:</b> 230 V, 12,9 Ah E-Motor <b>2) Petrol:</b> Robin-Subaru-EX21 (5,1 kW, 7,0 PS)	
Fuel tank capacity Gas engines	3,6 l	0,82 gal

# GEPARD 13 GT



## WORKING ENVELOPE



## STANDARDS COMPLIANCE



EN ISO 9001



EN 280:2001

Product specifications are subject to change without notice or obligation. Photographs and drawings in this document are for illustrative purposes only. Refer to the appropriate Operator's Manual for instructions on the proper use of this equipment. Failure to follow the appropriate Operator's Manual when using our equipment or to otherwise act irresponsibly may result in serious injury or death. The only warranty applicable to our equipment is the standard written warranty applicable to the particular product and sale and we make no other warranty, expressed or implied. Products and services listed may be trademarks, service marks or trade-names of Teupen Maschinenbau GmbH and/or its subsidiaries in the U.S.A. and many other countries. "Teupen", "Access redefined" and "LEO Series" are registered Trademarks of Teupen GmbH in the United States of America and many other countries. Version 2013-A © 2013 Teupen Maschinenbau GmbH.

## Features

### CHASSIS & STABILISATION

- Al-Ko components for axis, draw-bar and overrun system (galvanized)
- Supple driving performance through low centre of gravity and optimal axis positioning
- Fully-hydraulic, automatic leveling system
- Constant outrigger setup monitoring with ground pressure sensing
- Wear resistant, anti-friction PVC outrigger feet

### BOOM SYSTEM

- Removable cable remote control
- All functions are available from one control panel
- Electric-proportional controls with intuitive operator guidance
- Robust, lockable control panel cover
- Self-levelling platform with fully-hydraulic levelling system
- Boom rotation via high-performance slew ring, worm gear and hydraulic motor
- Detachable two-person basket with eyelets for safety harnesses
- Emergency controls and emergency lowering system via hand pump or 230V drive
- 355° turntable rotation

### POWER

- Battery drive with four 6V batteries, incl. charging device and indicator lamp

### PRODUCTIVITY, SAFETY, QUALITY

- Sturdy base frame with full length forklift pockets
- 230 V (EU), 115 V (US) power outlet in the basket
- Chassis and outriggers with high-quality metal coating RAL 9005 (black)
- Booms made of anodized aluminum
- Hydraulic emergency lowering via hand pump or service mode
- Drive operation without basket available
- Cables and hoses are safely routed through the boom structure
- Biodegradable hydraulic oil
- Lock valves - hydraulic return valves directly on all hydraulic cylinders
- Relief valves protecting the hydraulic system from too high pressures
- Protective covers for oil-tank, emergency controls and connecting cables and hoses
- Protective covers for electric housing and ground control panel
- Easily removable covers for optimal accessibility
- Machine specifications correspond to Road Traffic Licensing Regulations (StVZO)
- Hour meter

# GEPARD<sup>13</sup>GT

### OPTIONS

- 4 covers on piston rod cylinders (outrigger/stabiliser cylinders), approx. 20 kg additional weight
- Friction wheel drive (additional weight approx. 65 kg)
- Lateral safety frame, according road traffic licensing regulations (additional weight approx. 14 kg)
- Additional shock absorbers for 100 km/h license
- Petrol/Gas engine Robin-Subaru EX21 (5.1 kW/7.0 hp) incl. mount & cover
- Electric motor 230 V/50 Hz

### ACCESSORIES

- Safety harness
- 4 Outrigger/Stabiliser pads (450 x 400 x 40 mm/1 ft 5 in x 1 ft 4 in x 1 1/2 in)
- Lockable storage frame for outrigger/stabiliser pads
- Track mats (2000 x 1000 x 15 mm/6 ft 6 in x 3 ft 3 in x 1/2 in), extra durable rubber
- Lifting device (200 kg load capacity)
- Mounting for lifting device

### Enquiries from Europe, Asia, Middle East & Africa:

#### Corporate Headquarters

**Teupen Maschinenbau GmbH**  
Marie-Curie-Str. 13  
Germany

phone +49 2562 8161-0  
fax +49 2562 6161-888

mail@teupen.com  
www.teupen.com

### Enquiries from North & South America:

#### US Office

**Teupen USA, Inc.**  
10701 Southern Loop Blvd.  
Pineville, NC 28134, USA

phone (704) 248-9871  
fax (704) 248-9889

infousa@teupen.com  
www.teupen.com/us