



For Earth, For Life
Kubota

TE

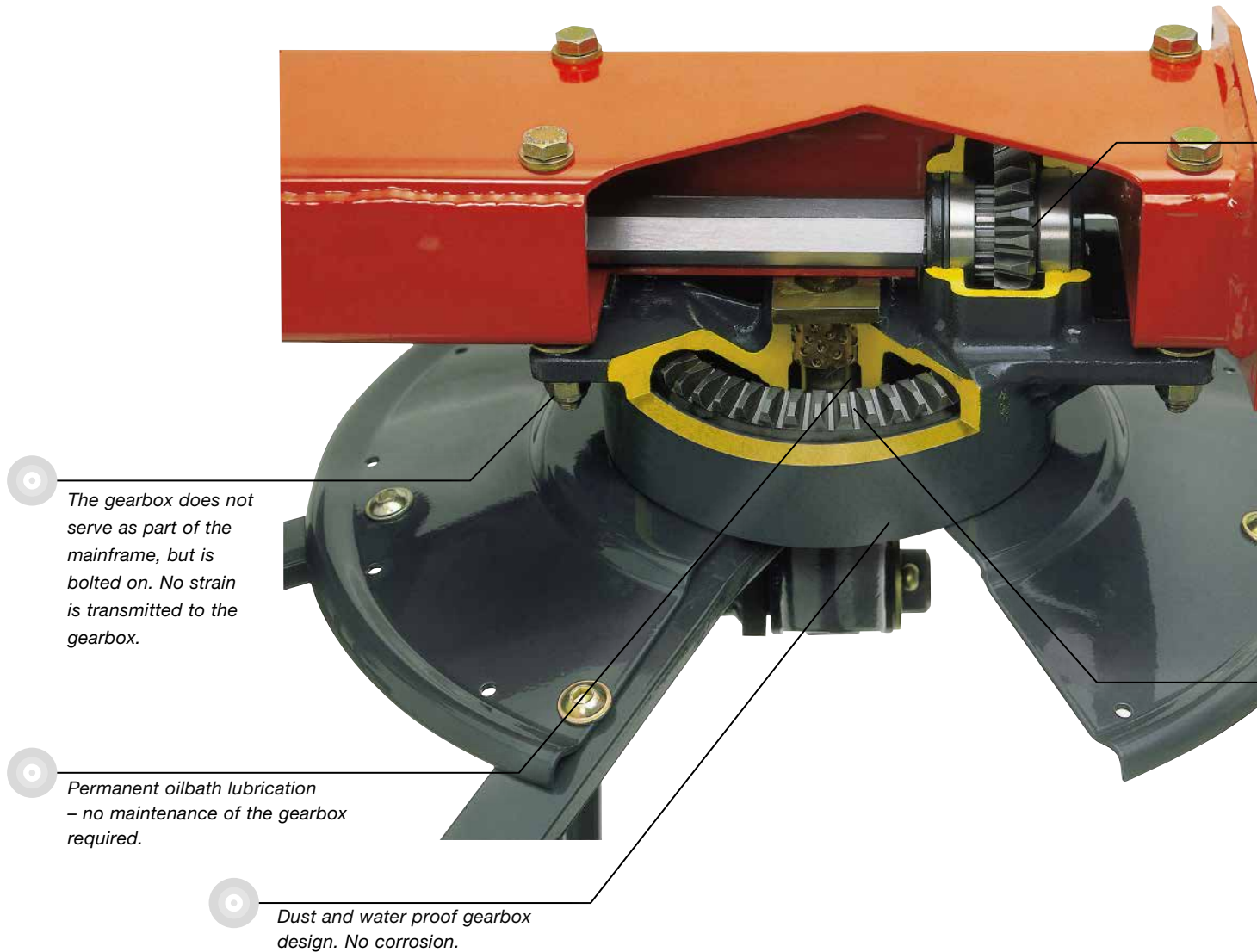
KUBOTA ROTARY TEDDERS

**TE4000/TE4500/TE6000/
TE6500/TE8500/TE10000**

Rotary tedders with working widths from 4.60m to 13.30m



SOLID DESIGN



A Strong Reliable Heart

Kubota ProLine tedders feature a uniquely designed self-contained rotor gearbox. The ProLine gearbox requires no maintenance, and is situated in an enclosed oilbath, set up to ensure permanent lubrication. No service or maintenance of the ProLine gearbox is needed.

The gearboxes do not serve as part of the frame, but are bolted onto the fully welded mainframe. This ensures that no load and strain from frame or tine arm vibrations will be transmitted by the gearbox, adding to significantly longer lifetime.

The ProLine gearboxes feature reliable crown and pinion drives positioned in one housing. The main crown wheel in each gearbox is mounted directly to the casing by means of double bearing. The double bearings on both sides of the hexagonal drive shaft keeps the shaft securely in place, even when operating in heavy duty wet crop.

Double bearing on both sides of the drive shaft for highest durability to withstand the most severe conditions.

Box shaped mainframe with only one welding seam for maximum rigidity.

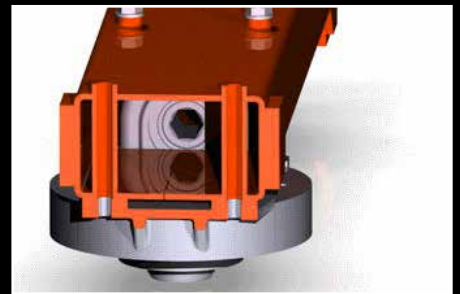
Double U-joints give smooth and efficient transfer of power.

Maintenance-free pivoting points with large diameter guarantee a very strong and reliable construction.

Crown wheel and pinion positioned in one housing for very reliable drive.

HEAVY DUTY MAINFRAME DESIGN

The Kubota tedders are built around a rugged new box section mainframe, made out of one piece of metal with only one welding seam – for maximum rigidity. The frame design is fully enclosed at the top edge for maximum strength – an exceptionally solid design, which allows the Kubota tedders to withstand the most severe loads.

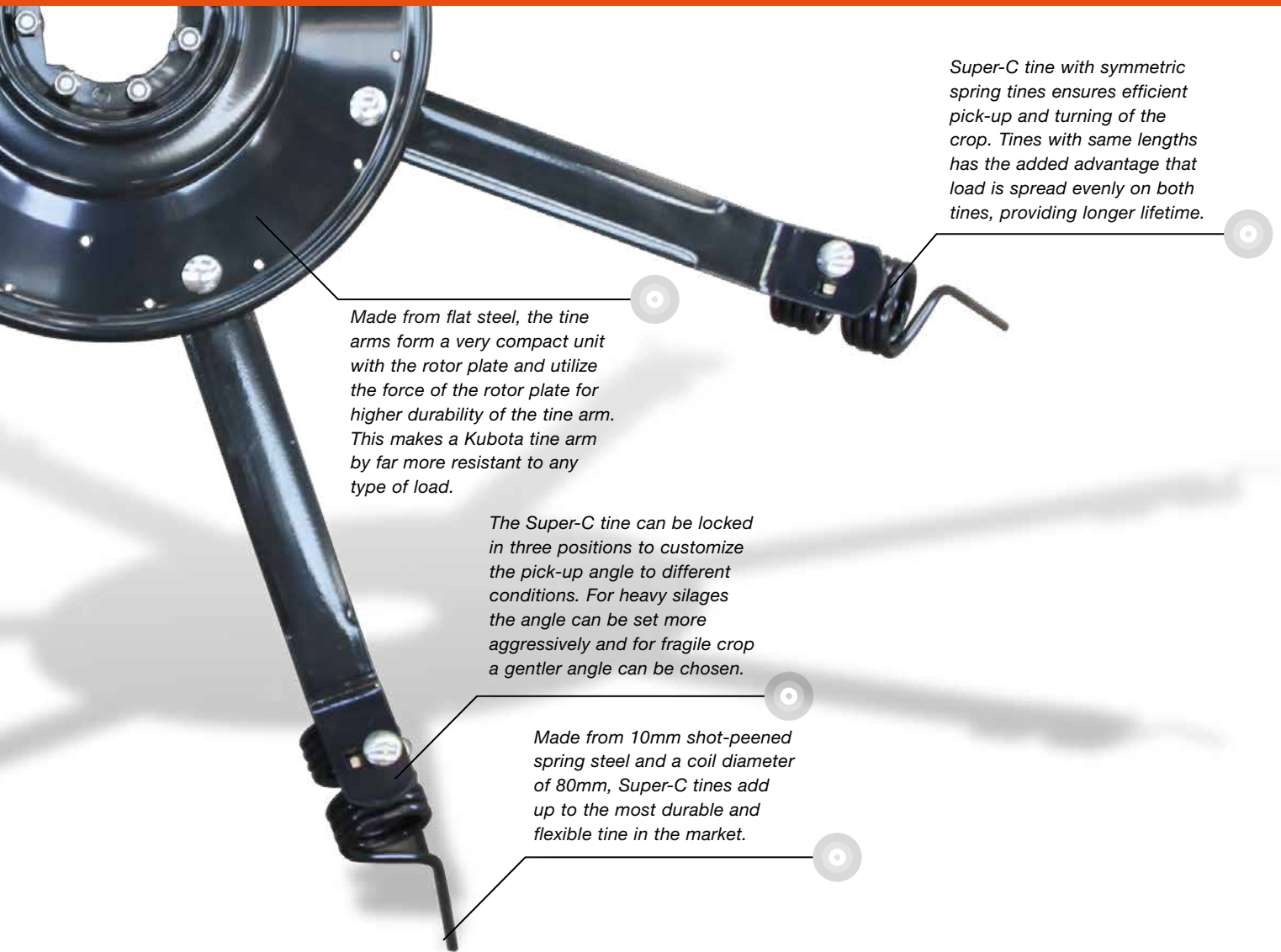


The large drive shafts and double U-joints give smooth, efficient transfer of power through the frame allowing each rotor to accurately follow field contours and rotate in any direction.



Maintenance-free roller bearing for best possible performance and higher second hand value.

MINIMUM MAINTENANCE



Super-C tine with symmetric spring tines ensures efficient pick-up and turning of the crop. Tines with same lengths has the added advantage that load is spread evenly on both tines, providing longer lifetime.

Made from flat steel, the tine arms form a very compact unit with the rotor plate and utilize the force of the rotor plate for higher durability of the tine arm. This makes a Kubota tine arm by far more resistant to any type of load.

The Super-C tine can be locked in three positions to customize the pick-up angle to different conditions. For heavy silages the angle can be set more aggressively and for fragile crop a gentler angle can be chosen.

Made from 10mm shot-peened spring steel and a coil diameter of 80mm, Super-C tines add up to the most durable and flexible tine in the market.

Take the Lead in Beating the Weather

Kubota tedders help you produce high quality crop, even under difficult weather circumstances. Ever changing weather conditions often leave a very tight time window to prepare the crop. When the weather proves to be flexible, it is vital that your gear and equipment is just as flexible.

The Kubota tedders are the right tools to accomplish uniform and rapid drying action of the crop. The Kubota Super-C tines, working with generous overlap thanks to the rotor design, always leave an airy and evenly spread crop, speeding up the drying process, so you can chop or bale the crop in time. Kubota tedders allow you to instantly react to unpredictable weather conditions.



Optional third wheel lead to even more accurate track following and better tedding action.

THE SUPER-C TINE

In order to produce high quality silage or hay, the crop must be spread evenly across the field to facilitate a uniform drying process. In addition soil contamination is a no go.

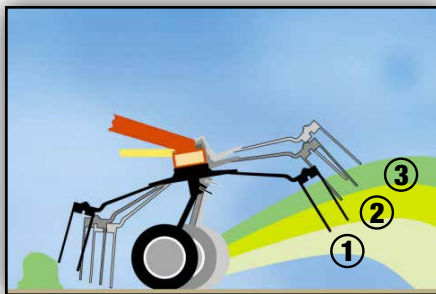
The symmetric Kubota Super-C tines of identical length efficiently pick up the crop and turn it for a very efficient crop flow. The crop is spread evenly and thrown over a wide distance, to ensure that the wet crop is placed on top of dry crop.

Tines with same lengths has the added advantage that load is spread evenly on both tines, providing longer life time.

The Kubota Super-C tines are made of 10mm shot-peened spring steel. Spring diameter coils have 20% larger diameters than conventional designs for added service life, even when tedding large quantities of crop. Additionally optional tine saver clips are available.



ProLine tedders are fitted with 10mm shot-peened spring steel combined with a coil diameter of 80mm that adds up to the most durable and flexible tine in the market.

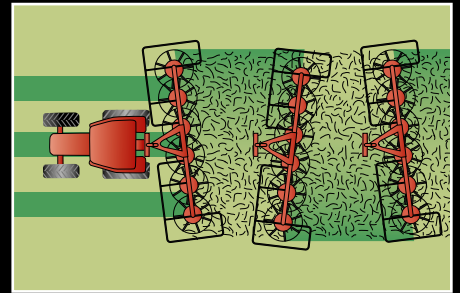


Easy adjustment of spreading angle via pin holes, no tools required.

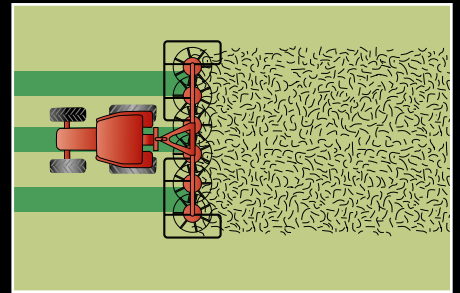
Oscillation Dampers

The Kubota oscillation dampers ensure excellent ground contour following and tedder flotation. The construction of the oscillation dampers results in a smooth and even distribution of the grass, due to the constant tine distance to the ground.

The distant linkage point means that it offers excellent running characteristics compared to conventional oscillation dampers. The fact that the linkage is positioned low on the headstock results in a more effective damping action during transport.



Conventional systems.



Kubota oscillation dampers.

HIGH CAPACITY TEDD

KUBOTA TE8511C-TE10514C



Sheer Efficiency

These machines offer a new dimension in efficiency and stability. Up to 10 rotors with 7 tine arms each, can neatly spread four 3.00m swaths. The solid design is your guarantee of a long lifetime, even when working in the toughest conditions. Its' large gears, sturdy shock proof bearings and oil-immersed drive system require zero lubrication.

Easy Handling

These easy to use machines are operated fully hydraulically and can be controlled from the tractor cab. High ground clearance and a wide wheelbase provide absolute road stability at high transport speeds. The folding mechanism and conversion to border tedding is hydraulic, and controlled from the tractor seat.



Strong and stable wheels for transport.

ERS



Minimum Maintenance

All vital parts are enclosed in a permanent oilbath for extreme durability and stability. The bearings offer a further innovation, with which the individual framework construction units are connected. The ball bearings are life span lubricated. This absolutely maintenance-free kind of storage guarantees maximum stability and life span.

Unique Transport Solution

Both tedders offer a unique transport solution that improves total work of the tedder. In transport position the outer rotors are folded forward onto a carrier frame. A transport height of only 3.35m, and a transport width of less than 3.00m is achieved this way. The carrier frame allows the tedders to move forward quickly and easily, when going from one field to another.



Fast and efficient conversion from transport to working position.



During transport both tedders have a height of 3.35m and a width below 3.00m.



Excellent adaptation to ground contours, along with exceptional manoeuvrability.



For border tedding the outer rotors are pivoted, to secure evenly inward spreading.



80° turning angle ensures excellent manoeuvrability.

MAXIMUM EFFICIENCY

KUBOTA TE8590C

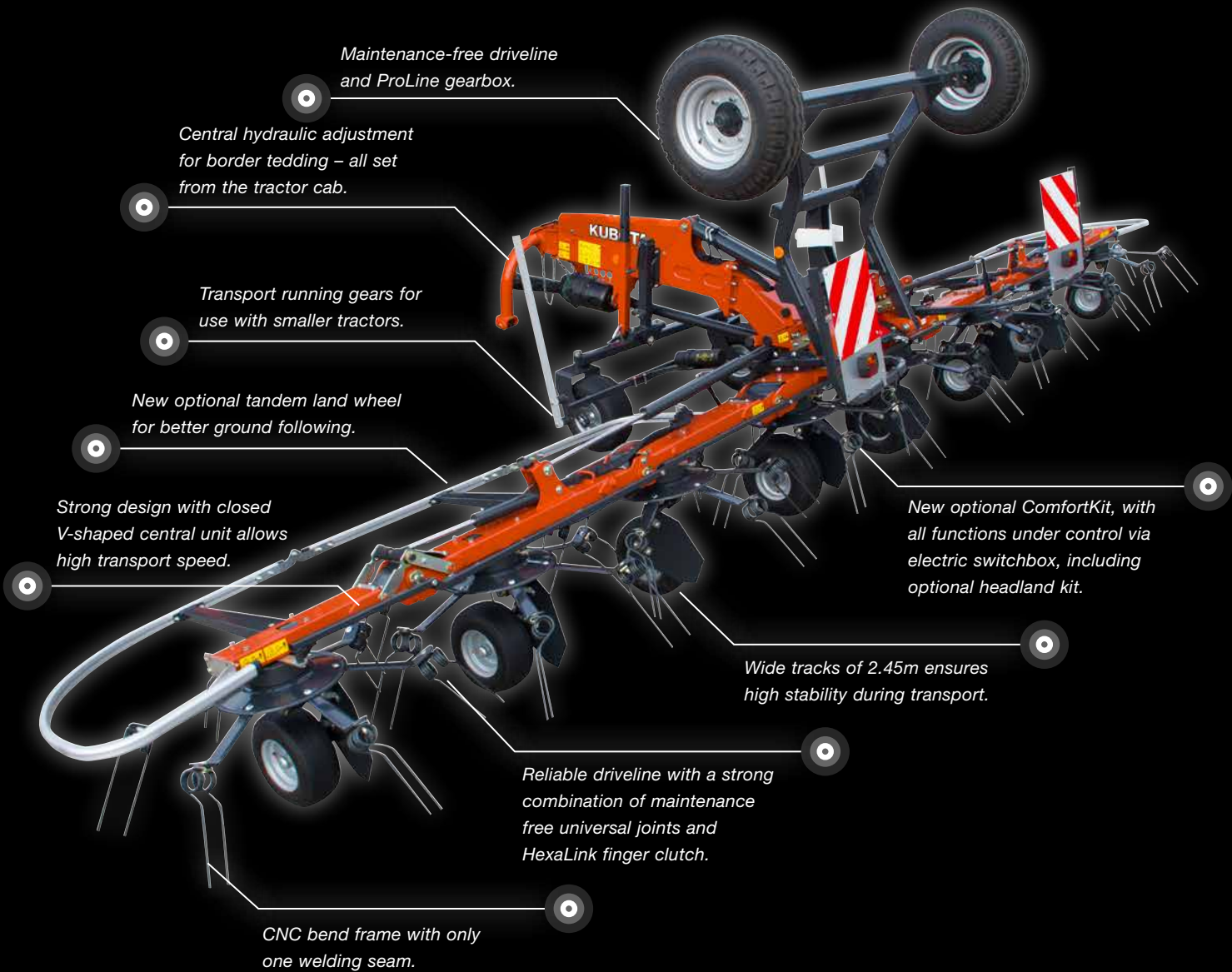


Clever Transport Solution

The TE8590C is a 9m, 8-rotor carrier frame tedder purpose-built for use with smaller tractors. The wide track width ensures stable running characteristics during road transport.

Due to the carrier frame concept, the lifting capacity of the tractor is not a limiting factor and it can be operated with tractors starting from 60hp.

In road transport, tedder weight rests on the running gear, rather than on the tractor's rear axle. The optimised driveline provides low input requirement, so you can easily use a small tractor and still work at wide working widths - the ideal solution that saves fuel and running costs.



The Carrier Frame Takes the Strain

The carrier frame concept of TE8590C allows it to be managed using smaller tractors than conventional designs. Kubota TE8590C offers very compact storage and transport height of only 3.74m due to the implementation of the HexaLink finger clutch system in the joints of the two outer rotors.

The remaining rotors are driven by maintenance-free universal joints, for strong and efficient transfer of power, including the possibility of running in folded position.



Kubota HexaLink finger clutch permits a 180° folding of the rotors for transport.

PRODUCTIVITY AT THE

KUBOTA TE4555-TE6568-TE6576-TE8590



Heavy Duty Confidence

Kubota's latest generation of mounted tedders is designed to perform perfect in all crop conditions, with a minimum of non-productive maintenance required and with diminished transport dimensions. TE4555 provides a working range of 5.5m, the 6-rotor TE6568 and 6576 offer 6.8 and 7.6m working width, while the 8-rotor TE8590 spans 9.0m. Featuring a heavy duty fully closed headstock and a strong V-shaped central unit, this machine will fit perfectly into the

operation of professional farmers, looking for a strong, effective, and versatile tedder.

Maintenance Made Easy

Powered by maintenance-free driveline and gearboxes, focus can be directed towards the essentials to maximize productivity. No time is wasted on time consuming greasing. Additionally the hinges are connected with strong maintenance-free roller bearings for extended longevity and stability of the connection points.

High Quality Tedding In all Conditions

The tine arm design, with flat steel tine arms, ensures that high loads can be transferred without any bending of the arms, leading to perfect tedding of even the heaviest crop. Additionally the strong oscillation dampers provide stable and accurate running characteristics, leading to an even spreading pattern across the complete working width. All standard settings, like rotor and tine angle adjustment and setting for border tedding are easily done.

E CORE



Kubota HexaLink finger clutch permits a 180° folding of the rotors for transport.



A hydraulic headland kit is available as option.



Keep the crop inside the field with border tending, tending the crop away from the border line.



All tedders can be equipped with a third wheel to ensure correct set up of the tedder interdependent from tractor and driver.



Strong and sturdy mainframe design with V-shaped central unit.



New aluminium rail guards, which are low in weight, but still extremely impact resistant.

REDUCED TRANSPORT

KUBOTA TE4555-TE6568-TE6576-TE8590



Compact transport Dimensions

These ProLine tedders offer very compact transport dimensions with its' new clever folding solution. A parking height of just 3.45-3.52m is possible, due to the implementation of the new HexaLink finger clutch system in the joints between the two outer rotors. The remaining rotors are driven by maintenance-free double universal joints, for strong and efficient transfer of power.



T HEIGHT



Compact in transport and during storage thanks to the new clever folding mechanism.



TE8590.



TE6576 in transport.

STRONG AND EASY T

KUBOTA TE4046-TE4052-TE6060-TE8080



Low Maintenance

With working widths from 4.60m to 8.05m, Kubota offers the CompactLine range with low maintenance rotor gearboxes. The rotors of these machines are driven by a low maintenance gearbox with only one grease nipple. The double bearings from pinion to crown wheel guarantee maximum longevity of the driveline. The low weight of these models is ideal for application with small tractors, or in hilly regions.

Incredible Dimensions

Even the smallest models excel - the rotor plate diameter measures 500mm! All Kubota tedders feature gearboxes flanged to the frame, and which have no supporting function, and are therefore not subjected to any strain. This system sets the benchmark with respect to stability, smooth running, quality of work and efficiency. Compare for yourself!

All models are fitted with a central adjustment device for setting the machine at the correct angle for border tedding. This is set mechanically from the tractor cab and is done in very few seconds. Optionally hydraulic operation is available too. All models come standard with stabilizer to guarantee a perfect following of the machine.

0 MAINTAIN



Central adjustment for border tedding is standard on all models.



Very compact transport.



Standard oscillation dampers on TE6060 ensure an even spreading pattern.



Kubota TE4052 with 5.20m working width.

ACHIEVE MORE

KUBOTA TE6060-TE8080



HexaLink finger clutch permits the rotors to fold 180° for transport.



Easy adjustment of spreading angle.



With the optional reduction gearbox it is possible to place night swaths.



TE8080 folds into a very compact position for transport.

Powerful Dimensions

TE6060 and TE8080 offer considerable working width with their combination of 6/8 rotors and 6.05m/8.05m working width. The very small rotors are especially designed for optimized performance while producing dry hay. The compact rotors, in combination with a big overlap, ensure complete pick-up of the grass and equal distribution over the entire working width.

Compact Folding for Transport

Despite its 8.05m working width the TE8080 will fold into a very compact unit for transport, and will go below 3.00m transport width. The two outer rotors are fitted with the new HexaLink finger clutch, a simple, yet efficient drive system that permits these rotors to turn into a 180° position for transport. The remaining rotors are driven by double universals joint, providing sturdy and efficient transfer of power.

Built to Last – Minimum Maintenance

The TE8080's superior durability and ease of maintenance ensure maximum machine uptime. It is designed with a strong package of Kubota features such as 2 oscillation dampers, strong V-shaped central frame unit for stable and accurate running characteristics and central adjustment for border tedding. The rotor gearbox is designed to just keep going and only requires greasing once per season of just one point.

SPECIFICATIONS

Kubota Models	TE4046	TE4052	TE4555	TE6060	TE6568	TE6576	TE8080	TE8590
CompactLine	•	•	-	•	-	-	•	-
ProLine	-	-	•	-	•	•	-	•
Dimensions & Weight								
Working width* (m)	4.60	5.20	5.50	6.05	6.80	7.60	8.05	9.00
Width, working position (m)	5.00	5.40	5.80	6.40	7.15	7.90	8.35	9.45
Transport width (m)	2.85	2.90	2.98	2.75	2.92	2.96	2.90	2.94
Transport length (m)	2.15	2.10	2.30	1.86	2.20	2.26	1.90	2.16
Storage height (m)	2.45	2.65	2.80	3.10	3.52	3.46	3.15	3.49
Weight approx. (kg)	500	530	640	650	900	990	920	1260
Capacity theor. (ha/h)	3.7	4.2	4.4	4.8	5.4	6.1	6.4	7.2
Attachment								
Three-point, tracking	Cat. I+II	Cat. I+II	Cat. I+II	Cat. I+II	Cat. II	Cat. II	Cat. II	Cat. II
Linkage drawbar	-	-	-	-	-	-	-	-
Two-point, linkage arms	-	-	-	-	-	-	-	-
Oscillation damper/integral lock	•	•	•	•	•	•	•	•
Rotors/Tines/Guard								
No. of rotors	4	4	4	6	6	6	8	8
No. of tine arms / rotor	5	6	7	5	6	7	5	6
Adjustment of spreading angle	•	•	•	•	•	•	•	•
Cab contr. border clearing system, Mech.	•	•	•	•	•	•	•	•
Cab contr. border clearing system, Hydr.	o	o	o	o	o	o	o	o
Reduc. gearbox for night swaths	o	o	o	o	o	o	o	o
Tyres/Axles/Lights								
Wheels	16x6.5-8	16x6.5-8	16x6.5-8	16x6.5-8	16x6.5-8	16x6.5-8	16x6.5-8	16x6.5-8
Tyres on central unit	-	-	-	-	-	-	-	18.5x8.5-8
Front wheel (16x6.50-8)	o	o	o	o	o	o	o	o
Tandem axles	-	-	o	-	o	o	-	o
Warning panels	o	o	o	o	o	o	o	•
Warning panels with integr. lighting	o	o	o	o	o	o	o	•
• = Standard o = Option - = Not available								
*(DIN 11220)								



Kubota TE4555.



Kubota TE6060.



Kubota TE6568.

TE8590C	TE8511C	TE10514C
-	-	-
•	•	•
9.00	11.00	13.30
9.45	11.30	13.80
2.94	2.98	2.98
4.21	5.90	6.20
3.74	3.30	3.35
1700	1760	2300
7.2	8.8	10.7
-	-	-
-	-	-
Cat. II	Cat. II	Cat. II
-	-	-
8	8	10
6	7	7
•	•	•
-	-	-
•	•	•
o	o	o
16x6.5-8	16x6.5-8	16x6.5-8
18.5x8.5-8	18.5x8.5-8	18.5x8.5-8
o (Tandem)	-	-
o	-	-
•	•	•
•	•	•

Model	Working Width										
	1.6 m	2.0 m	2.4 m	2.8 m	3.2 m	3.5-3.6 m	4.0 m	8.7 m	9.0 m	9.5 m	10.2 m
TE4046											
TE4052											
TE4555											
TE6060											
TE6568											
TE6576											
TE8080											
TE8590 TE8590C											
TE8511C											
TE10514C											



Kubota TE8590.



Kubota TE10514C.

The company reserves the right to change the above specifications without notice. This brochure is for descriptive purpose only. Some of the items pictured in this brochure are optional and not standard equipment. Please consult your local Kubota dealer for warranty, safety or product information. For your safety, Kubota strongly recommend the use of a seat belt in all applications.

©2017 Kverneland Group Kerteminde AS



KVERNELAND GROUP UK LTD.

Walkers Lane, Lea Green, St. Helens
Merseyside, WA9 4AF
Phone + 44 1744 8532 00

Visit our web site at: www.kubota.uk