

6/8/15 kW

**WIDE-BODY LIGHT TOWER SERIES**  
**Mobile Light Tower**  
**Liquid Cooled Diesel Engine**

**INCLUDES:**

- Large fuel capacity for increased run time
- Wide body chassis with containment option for on or off road towing
- 4×320 watt Generac G4 lighted electronic diode (LED) luminaries
- 4×1,100 watt metal halide (MH) luminaries
- Configurable outlets for auxiliary power
- Easy to set up for rental applications
- Heavy duty metal enclosure for durability
- Standard electric-power mast for quick deployment
- DOT trailer with wide body wheel base for stability
- Optional tandem tow configuration
- 5 year LED warranty
- CSA certified
- 1,000 hr oil change interval

MLT4060KVLED, MLT4060KV, MLT4060MVLED, MLT4060MV – 6kW 60Hz  
 MLT4080KVLED, MLT4080KV – 8kW 60Hz  
 MLT4150MVLED, MLT4150MV – 15kW 60Hz  
 Configured Models



Picture may not reflect actual configurations.



**FEATURES**

- **HEAVY DUTY APPLICATIONS:** Industry proven wide-body design, with multiple power nodes and engine options to choose from. This machine is available with a variety of options to suit application needs.
- **LED VERSIONS OFFER EXTENDED RUN-TIMES, LESS REFUELING, AND MORE CONVENIENCE POWER DUE TO EFFICIENT G4 LIGHTING.**
- **TEST CRITERIA:**
  - ✓ **PROTOTYPE TESTED**      ✓ **PROVEN GENERAC WIDE BODY SERIES**
  - ✓ **CSA TESTED**              ✓ **MOTOR STARTING ABILITY**
  - ✓ **COLD WEATHER TESTED**
- **DIFFUSED LIGHTING IS AVAILABLE FOR HIGHWAY APPLICATIONS.**
- **HEAVY-DUTY TRAILER DESIGN:** For off-road towing. Leaf-spring suspension.
- **SET-UP AND OPERATION:** Designed to be user-friendly and efficient for rental applications.
- **MULTIPLE ELECTRIC POWER CONVENIENCE OUTLETS:** to power external devices.
- **GENERAC G4 LIGHT-EMITTING DIODE (LED) LIGHTS:** Designed for maximum power and lower total cost of ownership. Lowers fuel cost by up to 33%.
- **AUTOMATIC VOLTAGE REGULATION (AVR) IN MLT4150 MODELS.** For powering guard stations, job-site trailers, and other applications requiring cleaner electrical power.
- **ANALOG CONTROLS OR POWER ZONE® PLUS CONTROLLER.**

THE GENERAC PROMISE



\* Assembled in the USA using domestic and foreign parts.

## 6/8/15 kW

## Benefits

**Engine**

- Mitsubishi® or Kubota® configuration Proven industrial engines designed for high reliability and low maintenance.
- High temperature and low oil shutdown Protects against engine damage.
- Liquid cooled Superior ambient temperature performance. 50% glycol, 50% water mixture is standard.
- EPA Tier 4 Final certified All engines meet EPA certification requirements.
- Fuel tank with electric self-priming lift pump Polyethylene material. Large-diameter fill port for easy fueling. High capacity for extended run times.

**Generator**

- Marathon Electric® brushless 60 Hz alternator.
- 120/240 VAC MLT4060, MLT4080 models.
- ±6% capacitor voltage regulation MLT4060, MLT4080 models.
- ±1% automatic voltage regulation (AVR) MLT4150 models. Provides clean power by stabilizing the output voltage at variable loads

**Electrical System**

- One 12 V, 440 CCA, wet cell battery Standard equipment.
- 30 A start trip breaker Ensures a no-load condition exists during unit start-up.
- Floodlight circuits with sealed 15 A breakers Protects against electrical overload of luminaires.
- Ballast Indicator lights For easy identification of maintenance needs. Metal halide units only.
- Convenience receptacles with individual breakers

**Controls**

- Analog controls with key-activated ignition Standard equipment. Mechanical keyswitch with four positions (GLOW PLUG, OFF, RUN, START) and digital hour meter.
- Power Zone Plus controls Optional equipment. Includes dusk-to-dawn and auto-scheduler functions.
- Engraved, aluminum punched and anodized control panel
- Toggle switch for raising and lowering mast Allows operator to quickly and easily deploy mast in 15 seconds.
- ON-OFF switch for each light fixture Independent controls for flexible illumination.
- Digital hour meter Monitors total unit operation time, assisting with management of rental charges.
- Automatic shutdown for low oil pressure and high coolant temperature Protects your investment by proactively identifying failures.

**Mast**

- Vertical operation and storage Quick raising/lowering of mast. Optimizes shipping and storing by minimizing machine footprint.
- Five tubular steel sections with polymer guides Designed for high stability and strength.
- Distinctive angle fixture design For consistent light distribution.
- Electric winch with cable guards Raises mast in 15 seconds. Self braking.
- 359-degree rotation Lockable and adjustable from ground.
- Self-retracting coil cord No unintentional cable hangups and lowers risk of transport damage.
- Industrial-black powder coat Powder-coated interior and exterior provides superior rust protection.

**Convenience Outlets**

- MLT4060 models One 120 VAC, 20 A, GFCI, duplex outlet (NEMA 5-20R)  
One 120/240 V, 30 A, twistlock outlet (NEMA L14-30R)
- MLT4080 models Two 120 VAC, 20 A, GFCI, duplex outlets (NEMA 5-20R)  
One 120/240 V, 30 A, twistlock outlet (NEMA L14-30R)
- MLT4150 models Two 120 VAC, 20 A, GFCI, duplex outlets (NEMA 5-20R)  
Two 120/240 V, 30 A, twistlock outlet (NEMA L14-30R)  
Two 240 VAC, 50 A, twistlock outlets (Leviton CS6369)

# 6/8/15 kW

### Enclosure

- Heavy-duty, 14-gauge steel For tough rental applications.
- Stainless steel hinges on doors Prevents oxidation and helps increase resale value.
- UV and fade resistant, white polyester powder paint Salt-spray tested to 1,000 hours.
- Sound ratings MLT4060, MLT4080 models: 68 dB at 23 ft (7 m).  
MLT4150 models: 71 dB at 23 ft (7 m).
- Lifting point and fork pockets Center-mounted lifting point allows lifting from above using chains or forklift, or lifting with on-site machinery.
- Document holder with owner's manual Includes AC and DC wiring diagrams.

### Trailer

- Tubular steel frame Rigid frame designed for stability, for on- or off-road towing.
- 2,200 lb (998 kg) capacity leaf-spring axle MLT4060, MLT4080 models.
- 3,000 lb (1.361 kg) capacity leaf-spring axle MLT4150 models.
- Removable tongue – 48 in. (1219.20 mm) length Allows for consolidated shipping and decreased machine footprint shipping or long-term storage.
- Four 2,000 lb (907.18 kg) leveling jacks Quick-turn style reduces set-up time. Lockable in stowed positions.
- Side outriggers For leveling and stabilization in up to 65 mph (104.6 Km/h) winds.
- Single-wall polyethylene fenders
- LED trailer lights (side, brake, and directionals) DOT approved.
- Recessed rear lights and illuminated license plate holder DOT approved.
- Tires MLT4060, MLT4080 models: ST175/80D13 – 6 ply.  
MLT4150 models: P205/75R15 – 6 ply.
- Front step platform For easy adjustment of light fixtures.

### Power Zone Plus Control (If Equipped)

Units equipped with Power Zone Plus controls are capable of FLEET AUTOMATION, which reduces labor costs spent manually starting and stopping light towers.

- Dusk-to-dawn
- Seven-day scheduler automatically starts and stop the unit each day
- Programmable service reminders for custom alerts
- Large, easy-to-read, backlit color display
- Comprehensive warnings protect the operator and equipment



### THE LEADING LIGHT TOWER OPTION FOR



Construction Sites



Rental



Roadwork



Oil & Gas

## 6/8/15 kW

## Specifications

	MLT4060MVLED	MLT4060MV	MLT4060KVLED	MLT4060KV
<b>Generator</b>				
Make	Marathon Electric	Marathon Electric	Marathon Electric	Marathon Electric
Model	201CSA5411	201CSA5411	201CSA5411	201CSA5411
Type	Brushless	Brushless	Brushless	Brushless
Insulation class	F	F	F	F
Rating	60 Hz	60 Hz	60 Hz	60 Hz
Maximum output	6 kW	6 kW	6 kW	6 kW
Voltage regulation type	Capacitor	Capacitor	Capacitor	Capacitor
Regulation accuracy	±6%	±6%	±6%	±6%
<b>Engine</b>				
Make (model)	Mitsubishi (L3E)	Mitsubishi (L3E)	Kubota (D1005)	Kubota (D1005)
Fuel type	Diesel	Diesel	Diesel	Diesel
EPA certification	Tier 4 final	Tier 4 final	Tier 4 final	Tier 4 final
Cylinders—qty	3	3	3	3
Displacement	57.97 in <sup>3</sup> (0.95 L)	57.97 in <sup>3</sup> (0.95 L)	61.08 in <sup>3</sup> (1.00 L)	61.08 in <sup>3</sup> (1.00 L)
Ignition system	Compression ignition (CI)	CI	Indirect CI	Indirect CI
Governor system	Electric	Electric	Electric	Electric
Starter	Electric	Electric	Electric	Electric
Power at 1,800 RPM—prime	10.5 hp (7.8 kW)	10.5 hp (7.8 kW)	11.7 hp (8.7 kW)	11.7 hp (8.7 kW)
Power at 1,800 RPM—standby	12.2 hp (9.1 kW)	12.2 hp (9.1 kW)	13.1 hp (9.8 kW)	13.1 hp (9.8 kW)
Fuel consumption—lights only	0.301 gph (1.14 Lph)	NA	0.306 gph (1.16 Lph)	NA
Fuel consumption—100% load	0.59 gph (2.23 Lph)	0.59 gph (2.23 Lph)	0.651 gph (2.46 Lph)*	0.651 gph (2.46 Lph)*
Fuel tank—usable capacity	56.4 US gal (213.5 L)	56.4 US gal (213.5 L)	56.4 US gal (213.5 L)	56.4 US gal (213.5 L)
Run time (lights only)	187 hr	NA	187 hr	NA
Run time (100% load)	95 hr	95 hr	85 hr	85 hr
Fuel fill port—diameter	3.5 in. (88.9 mm)	3.5 in. (88.9 mm)	3.5 in. (88.9 mm)	3.5 in. (88.9 mm)
Fuel tank—material	Polyethylene	Polyethylene	Polyethylene	Polyethylene
Oil Capacity	5.0 (4.7)	5.0 (4.7)	5.4 (5.1)	5.4 (5.1)
Oil Filter Type	Full flow, spin-on	Full flow, spin-on	Full flow, spin-on	Full flow, spin-on
Oil Filter Change Interval	1,000 hr**	1,000 hr**	1,000 hr**	1,000 hr**
Air Filter Type	Dry cartridge	Dry cartridge	Dry cartridge	Dry cartridge
Cooling	Liquid	Liquid	Liquid	Liquid

\*Data based on engine manufacturer and field test data after 100-hr engine break-in period. Actual results may vary, according to factors such as age and maintenance of equipment, environmental conditions, and fuel density. For fuel and maintenance recommendations, see owner's manual.

\*\*To achieve maximum service interval, replace oil filter after 50-hr break-in period. For oil filter model number, see parts manual.

# 6/8/15 kW

# Specifications

	<b>MLT4080KVLED</b>	<b>MLT4080KV</b>	<b>MLT4150MVLED</b>	<b>MLT4150MV</b>
<b>Generator</b>				
Make	Marathon Electric	Marathon Electric	Marathon Electric	Marathon Electric
Model	201CSA5420	201CSA5420	333CSA3024	333CSA3024
Type	Brushless	Brushless	Brushless	Brushless
Insulation class	F	F	F	F
Rating	60 Hz	60 Hz	60 Hz	60 Hz
Maximum output	8 kW	8 kW	15 kW	15 kW
Voltage regulation type	Capacitor	Capacitor	AVR	AVR
Regulation accuracy	±6%	±6%	±1%	±1%

	<b>MLT4080KVLED</b>	<b>MLT4080KV</b>	<b>MLT4150MVLED</b>	<b>MLT4150MV</b>
<b>Engine</b>				
Make (model)	Kubota (D1105)	Kubota (D1105)	Mitsubishi (S4L2)	Mitsubishi (S4L2)
Fuel type	Diesel	Diesel	Diesel	Diesel
EPA certification	Tier 4 final	Tier 4 final	Tier 4 final	Tier 4 final
Cylinders—qty	3	3	4	4
Displacement	68 in <sup>3</sup> (1.12 L)	68 in <sup>3</sup> (1.12 L)	107 in <sup>3</sup> (1.76 L)	107 in <sup>3</sup> (1.76 L)
Valve arrangement	OHV	OHV	OHV	OHV
Ignition system	Indirect CI	Indirect CI	CI	CI
Governor system	Electric	Electric	Mechanical	Mechanical
Starter	Electric	Electric	Electric	Electric
Power at 1,800 RPM—prime	13.5 hp (10.1 kW)	13.5 hp (10.1 kW)	23.5 hp (17.5 kW)	23.5 hp (17.5 kW)
Power at 1,800 RPM—standby	15.4 hp (11.5 kW)	15.4 hp (11.5 kW)	24.7 hp (18.4 kW)	24.7 hp (18.4 kW)
Fuel consumption—lights only	0.340 gph (1.29 Lph)	NA	0.414 gph (1.57 Lph)	NA
Fuel consumption—100% load	0.858 gph (3.25 Lph)	0.858 gph (3.25 Lph)*	1.46 gph (5.53 Lph)*	1.46 gph (5.53 Lph)*
Fuel tank—usable capacity	56.4 US gal (213.5 L)	56.4 US gal (213.5 L)	56.4 US gal (213.5 L)	56.4 US gal (213.5 L)
Run time (lights only)	165 hr	NA	140 hr	NA
Run time (100% load)	65 hr	65 hr	38 hr	38 hr
Fuel fill port—diameter	3.5 in. (88.9 mm)	3.5 in. (88.9 mm)	3.5 in. (88.9 mm)	3.5 in. (88.9 mm)
Fuel tank—material	Polyethylene	Polyethylene	Polyethylene	Polyethylene
Oil Capacity	5.3 qt (5.0 L)	5.3 qt (5.0 L)	6.34 qt (6 L)	6.34 qt (6 L)
Oil Filter Type	Full flow, spin-on	Full flow, spin-on	Full flow, spin-on	Full flow, spin-on
Oil Filter Change Interval	1,000 hr**	1,000 hr**	1,000 hr**	1,000 hr**
Air Filter Type	Dry cartridge	Dry cartridge	Dry cartridge	Dry cartridge
Cooling	Liquid	Liquid	Liquid	Liquid
Coolant capacity				

\*Data based on engine manufacturer and field test data after 100-hr engine break-in period. Actual results may vary, according to factors such as age and maintenance of equipment, environmental conditions, and fuel density. For fuel and maintenance recommendations, see owner's manual.

\*\*To achieve maximum service interval, replace oil filter after 50-hr break-in period. For oil filter model number, see parts manual.

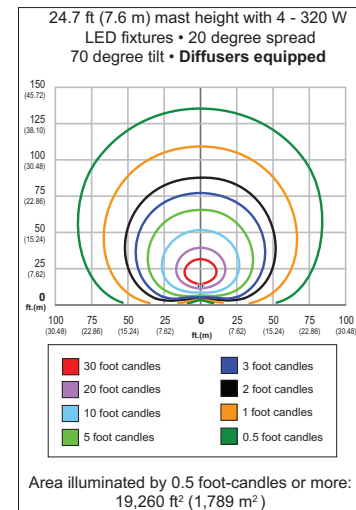
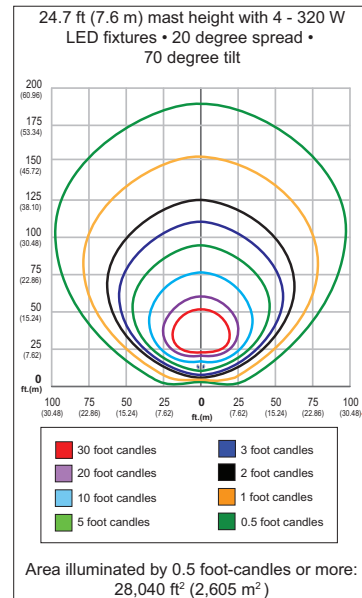
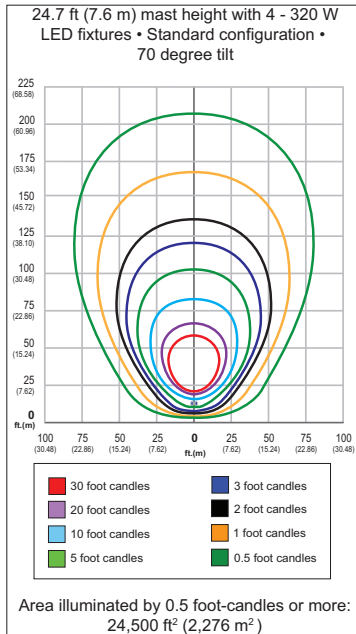
# 6/8/15 kW

# Lighting Options

## Luminaires—LED (If Equipped)

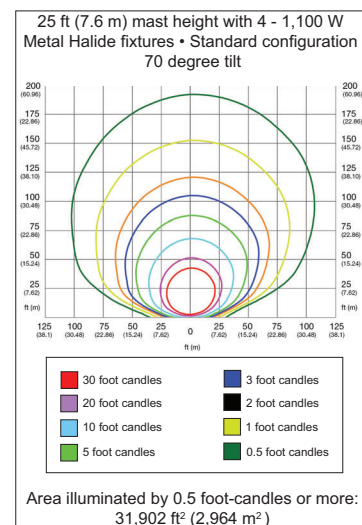
- Four 320 W LED fixtures
- Aluminum and polymer housing
- Efficiency: 147 LPW
- Lm/fixture: 47,000
- Total lm: 188,000
- Coverage at 0.5 ft-c or more: 28,040 ft<sup>2</sup> (2,605 m<sup>2</sup>)
- IP68 LED modules; IP65 rated drivers
- Fixture-mounted drivers
- Friction disc mounting for tool-free positioning

6 of 7



## Luminaires—Metal Halide (If Equipped)

- Four 1,100 W metal halide fixtures
- Aluminum and polymer housing
- Efficiency: 120 lm/W
- Lm/fixture: 47,000
- Total lm: 188,000
- Area illuminated by 0.5 ft-c or more: 31,902 ft<sup>2</sup> (2,964 m<sup>2</sup>)
- Friction disc mounting for tool-free positioning



# 6/8/15 kW

# Available Accessories\*

Option	MLT4060KV	MLT4060MV	MLT4080KV	MLT4150MV	Description
<b>Suggested Cold-Weather Options:</b>					<b>NOTE:</b> Cold-weather options can be configured separately
60/40 coolant	All Models	All Models	All Models	All Models	
Heated radiator hose	All Models	All Models	All Models	All Models	
Heated fuel filter	All Models	All Models	All Models	All Models	
720 CCA AGM sealed battery	All Models	All Models	All Models	All Models	
Liquid containment	All Models	All Models	All Models	All Models	
Power Zone® Plus controller	All Models	All Models	All Models	NA	
Battery disconnect	All Models	All Models	All Models	All Models	Lever type for long-term storage
2 in. BULLDOG® ball	All Models	All Models	All Models	All Models	2 in. BULLDOG ball hitch
3 in. ring 1 DIA pintle	All Models	All Models	All Models	All Models	Pintle hitch
2.31 in. ball	All Models	All Models </td <td>All Models</td> <td>All Models</td> <td>Ball hitch</td>	All Models	All Models	Ball hitch
Flat 4 to round 7 spade	All Models	All Models	All Models	All Models	Trailer connector adapter
Tandem tow	All Models	All Models	All Models	All Models	Tow multiple units at once
Positive air shutdown	All Models	All Models	All Models	All Models	Required in some mining applications
Ground rod	All Models	All Models	All Models	All Models	For installation by a qualified technician
5 lb. fire extinguisher	All Models	All Models	All Models	All Models	Installed to cabinet interior
BC_10A_3ST	All Models	All Models	All Models	All Models	Battery charger: 10 A, 3-stage
50/50 coolant	All Models	All Models	All Models	All Models	50% glycol, 50% water
60/40 coolant	All Models	All Models	All Models	All Models	60% glycol, 40% water
RPM quick drain	All Models	All Models	All Models	All Models	For oil draining and replacement
Diffused lens	LED	LED	LED	LED	Anti-glare, snap-on type
Power Zone Plus controller	All Models	All Models	All Models	All Models	

\*Additional options may be available. Please contact a sales representative or the factory for current options.

## Additional Information

### Weight

Dry: 2,080 lb (943 kg)  
 Operating: 2,483 lb (1,126 kg)

### Ambient Climate Ratings

Wind Rating: 65 mph (105 km/h)  
 Maximum Air Temperature: 120 °F (49 °C)

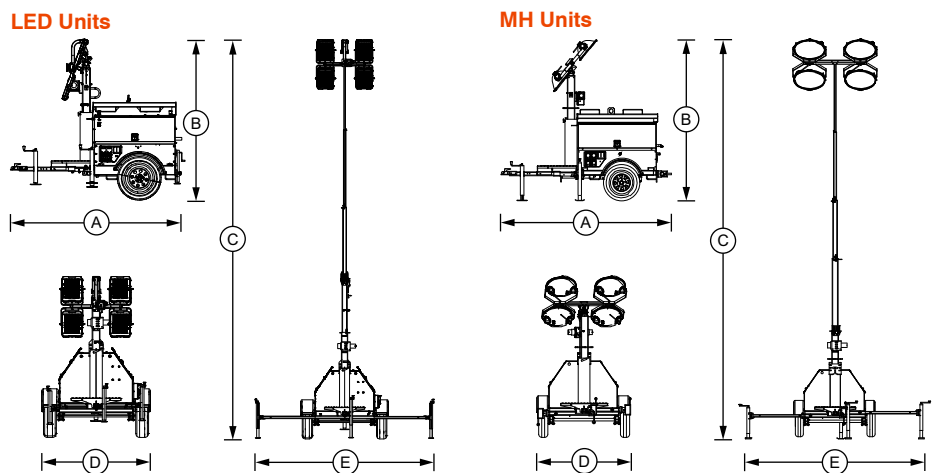
### Warranty

1 year, unlimited hours/2 years, 2,000 hours  
 LED lights: 5 year, limited

### More Information

Owner's manual is available at:  
[www.generacmobileproducts.com/service-support/manuals](http://www.generacmobileproducts.com/service-support/manuals)

### Unit Dimensions\*



	A	B	C	D	E
LED Units	113 in (2.9 m)	103 in (2.6 m)	24.7 ft (7.52 m)	70 in (1.78 m)	140 in (3.56 m)
MH Units	113 in (2.9 m)	107 in (2.71 m)	25 ft (7.62 m)	70 in (1.78 m)	140 in (3.56 m)

\*Dimensions shown are approximate. See owner's manual for exact dimensions. DO NOT USE THESE DIMENSIONS FOR INSTALLATION PURPOSES.