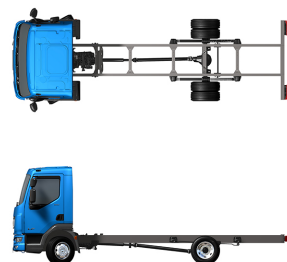


Specification sheet

LF 180

FA 4X2 Rigid, 08t Chassis/Body



ENGINES

LF 180 PX-5 (135 kW / 184 hp)

LF 210 PX-5 (157 kW / 213 hp)

LF 230 PX-7 (172 kW / 234 hp)

GVM¹⁾

7500 kg

GCM²⁾

7500 kg

Max. front 3600 kg

Max. rear 5000 kg

CAB EXTERIOR

Day Cab with steel bumper, tinted glass and electric window openers. Main mirrors and wide angle mirrors electrically heated. Cab width 2130 mm.; Green tinted glass; Electrically adjustable mirrors; Mirror brackets, body 2.50-2.60 m; Front view mirror.

Optional

02576 Extended Day Cab	07343 Kerb view window co-driver door
02106 Sleeper Cab	
01173 Cab suspension mechanical	00915 Side no glass / rear single glass
01605 Cab suspension mechanical reinforced	09101 Green tinted glass, heated
09983 Fog lights	09282 Mirror brackets, body 2.30-2.40 m
09984 Fog lights and cornering lights	09283 Mirror brackets, body 2.40-2.50 m

AERODYNAMICS

Optional

09287 Side collars prepared	03574 Side collars for aerodynamic body
04906 Side collars	07093 Side collars short (set)

COLOURS

; Head lamp panel and bumper: Stone Grey; Chassis colour grey..

Optional

06485 Head lamp panel and bumper: cab colour	16153 Cab and chassis colours
---	--------------------------------------

CAB INTERIOR

Right-hand drive (RHD); Mechanically adjustable steering column; Driver seat: air suspended; Co-driver seat: fixed velour; Storage box on engine tunnel.

Optional

09271 Steering wheel, leather, colour black	02213 Air conditioning
03516 Pneumatically adjustable steering column	03703 Auxiliary cab heater Air Top 2000
00967 Seat belts red	04246 Roof hatch, manual control
16158 Seat types	04258 Roof hatch, electric control
04346 Lower bunk, normal level	

COMMUNICATION AND DRIVING MANAGEMENT

FMS connector prepared; Tachograph digital, Stoneridge; Cruise control.

Optional

16155 Audio equipment, makes and types	08891 Adaptive Cruise Control with FCW and AEBS
07261 TruckPhone	

SAFETY AND SECURITY

Lane Departure Warning System; Vehicle Stability Control (VSC); Basic engine immobiliser system.

Optional

08631 Air bag (driver) and 2 seat belt tensioners	06637 Immobiliser 15 minutes and alarm (Thatcham H1)
01725 Reverse warning	16156 EC-ADR packages
06636 Immobiliser 15 minutes (Thatcham H2)	

SUSPENSION AND AXLES

Front: 3.60 t, parabolic, F36; Rear: 5.00 t, parabolic, SR5.14.

Optional

01372 Rear springs air	08031 Rear springs parabolic, Heavy Duty
-------------------------------	---

WHEELS AND TYRES

Front axle 1: 215/75R17.5; Rear axle 1: 215/75R17.5; Wheel protection rings silvergrey.

Optional

06764 Wheel protection rings black	16152 Tyre makes and types
---	-----------------------------------

DRIVELINE

Engine PX-5, 4 cylinder diesel engine, 4.5 litres. Output 135 kW (184 hp) at 2300 rpm. Max. torque 750 Nm at 1100-1600 rpm.; Exhaust emission Euro 6; Engine idle shutdown, 5 minutes; Manual gearbox, 6 speeds; Gearbox ratio 6.58-0.78; Rear axle ratio 3.73.

Optional

08834 AS Tronic gearbox, 6 speeds
--

BRAKE SYSTEM

Exhaust brake.

CHASSIS

Wheelbase 4.30 m / rear overhang 2.32 m; Side member height 210 mm; DPF/SCR unit right, discharge right; Plastic fuel tank 110 l; Spray suppression; AdBlue tank 25 litres, right side chassis.

Optional

07071 Spare wheel carrier right-hand side	03323 Rear light unit with LEDs
--	--

DRAWBAR AND TRAILER EQUIPMENT

Closing member.

Optional

04212 D-value cross member D=7

BODIES AND PREPARATIONS FOR BODYING

No BodyBuilder Module (BBM); Application connector on the cab front; Standard body attachment hole pattern.

Optional

09952	BodyBuilder Module (BBM) full	02748	Curtain colour 6036 green, panels white
00126	Body attachment BAM 1, consoles type B	02774	Curtain colour 7024 grey, panels white
02357	Box body	02779	Curtain colour 7999 black, panels white
01890	Curtain sider body	02702	Standard body floor
03562	Aerobody	02698	Body floor with 3 mm aluminium tread plate
02615	External body length 5150 mm	02717	Aluminium kick strips, front and sides 228 mm
02622	External body length 6100 mm	02712	Aluminium kick strips, front 228 mm
02650	External body length 6810 mm	02727	Galvanised kick strips, front and sides 200 mm
01049	External body width 2350 mm	02728	Plywood kick strips, front and sides 300 mm
04619	External body width 2480 mm	02738	Plywood kick strips, front 1200 mm, sides 300 mm
01403	GRP faced plywood panels	04650	Rear wide lath shutter door
02694	Light weight box panels	04662	Rear double doors
04674	Body panels standard white	02726	Single, hinged side door at front left-hand side
02755	Curtain colour 9002 white, panels white	02718	Side roller shutter door
02768	Curtain colour 1001 yellow, panels white	04637	Column tail lift
02769	Curtain colour 3001 red, panels white	04640	Tuck-under tail lift
02773	Curtain colour 5028 blue, panels white	00067	Contour markings

POWER TAKE-OFF (PTO)

Optional

16148 PTO types and positions

ELECTRICAL POWER SUPPLY

Alternator 80 A, batteries 2x 125 Ah..

Optional

01897 Alternator 100 A 08797 Batteries 2x175Ah

GVM AND GCM

Chassis weight related technical GVM max 7500 kg; Driveline related technical GCM equal to GVM.

Optional

03428 Driveline related max GCM 16000 kg 03700 Driveline related technical GCM = GVM+3500 kg
00054 Driveline related max GCM 18000 kg

APPLICATION CONDITIONS

Moisture separator, unheated; Air intake low.

Optional

02270 Cold climate 04987 Radiator flyscreen
04767 Moisture separator, heated

SERVICE AND MAINTENANCE

Warranty Plus - 1 Year Vehicle & 3 Year Driveline - takes care of all warrantable repairs on the vehicle for one year and on the driveline for second and third years together with associated breakdown coverage.; DAF 1 year Preventive Maintenance Package - 160k.

VEHICLE DELIVERY

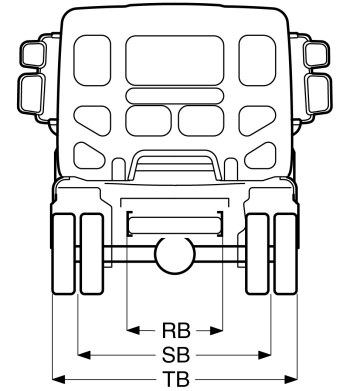
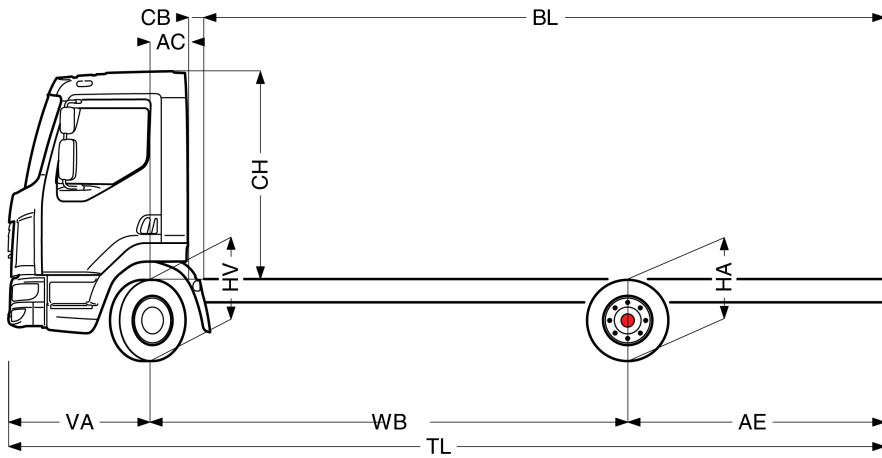
Standard toolkit.



Go to DAF.com to configure your own perfect DAF.

LF 180

FA 4X2 Rigid, 08t Chassis/Body



	Wheelbase - AE		Unladen weight ⁹⁾			Gross Carrying Capacity			Variable dimensions							
	WB	AE ⁶⁾	Front	Rear	Total	Front	Rear	Total	AC	CB ⁸⁾	CH ⁷⁾	BL ⁸⁾	BL	TL	HA ⁹⁾	HA ¹⁰⁾
DAY CAB	3.55	1.87	2457	904	3361	1143	4096	4139	0.33	0.13	1.84	4.22	6.11	6.85	0.89	0.77
	3.90	2.12	2463	914	3376	1137	4086	4124	0.33	0.13	1.84	4.73	6.81	7.45	0.89	0.77
	4.30	2.32	2475	926	3402	1125	4074	4098	0.33	0.13	1.84	5.32	6.98	8.14	0.89	0.77
	4.65	2.65	2486	953	3440	1114	4047	4060	0.33	0.13	1.84	5.83	6.98	8.72	0.89	0.77
SLEEPER CAB	3.55	1.87	2590	883	3473	1010	4117	4027	0.73	0.15	1.87	3.56	5.50	6.70	0.89	0.77
	3.90	2.12	2599	898	3497	1001	4102	4003	0.73	0.15	1.87	4.09	6.23	7.30	0.89	0.77
	4.30	2.32	2604	907	3511	996	4093	3989	0.73	0.15	1.87	4.69	6.56	7.97	0.89	0.77
	4.65	2.65	2614	934	3548	986	4066	3952	0.73	0.15	1.87	5.22	6.56	8.60	0.89	0.77

OTHER DIMENSIONS VA: 1.28 HV¹¹⁾: 0.78 HV¹²⁾: 0.74 RB: 0.86 SB: 1.74 TB: 2.55

1) GVM in conformity with registration documents.
 2) GCM in conformity with registration documents.
 3) Axle load with standard tyre size.
 4) Chassis and cab weight calculated with: Standard specification items only with 110 litres of fuel, 25 litres of AdBlue and driver of 90 kg, tolerance ± 3%. Changing of the specification can have major impact on vehicle weight.
 5) Other AE dimensions may be available for shown WB. Modify rear overhang to the calculated body length.
 6) CB is based on standard air intake and/or exhaust.

7) Cab height is measured from frame member to closed cabin roof hatch.
 8) Calculate customer specific body length with TOPEC. Body lengths shown based on evenly distributed load at max axle load.
 9) Unladen height at centre of driven axle(s).
 10) Laden height at centre of driven axle(s).
 11) Unladen height at centre of front axle(s).
 12) Laden height at centre of front axle(s).

Depending on the vehicle configuration a specific option may not be possible. The availability and specification of this vehicle may differ per country. For further information please contact the DAF organisation. Pictures and technical illustrations are not binding in detail and can differ from the standard specification. Subject to modification without prior notice.